

DPX³

PRECISE PROTECTION
AND MEASUREMENT
UP TO 1600 A





DPX³

PRECISE PROTECTION
AND MEASUREMENT
UP TO 1600 A

The new DPX³ 630 and 1600 circuit breakers extend the benefits of the DPX³ range up to 1600 A. Not only do DPX³ circuit breakers provide precise, reliable protection, they also include numerous benefits for your low voltage panels. The wide range of characteristics and versions cover the requirements of all installations. Integrated measurement enables you to monitor the parameters and consumption of the installation with no need for any additional device or accessory. The various selectivity techniques available ensure optimum continuity of service. The comprehensive range of electrical auxiliaries makes operation and maintenance easy. The circuit breakers are fully compatible with Legrand XL³ enclosures, making installation easy. The numerous accessories available make them easy to adapt to suit all panel configurations. **Discover the details of the whole DPX³ range and all its benefits in this document.**

Extensive range, high performance and safety

A comprehensive range for all your requirements from 16 to 1600 A	2
Diferent versions for all types of installation	4

New functions to simplify use

Integrated measurement from 40 to 1600 A	6
Integrated measurement: choosing a more compact solution	8
Total selectivity for optimum continuity of service	10
A range of auxiliaries and accessories for an optimum configuration	12

Safe, quick and easy installation

Auxiliaries that are easy to install and wire	14
Motorisation and supply inverters for DPX ³ 160/250	16
Connection accessories for all configurations	18
Plug-in and draw-out DPX ³ for optimum continuity of service	20
DPX ³ 630/1600: easy maintenance and upgrades	22
Distribution systems that are safe and reliable	24
The XL ³ range: enclosures for all requirements	26

Catalogue pages

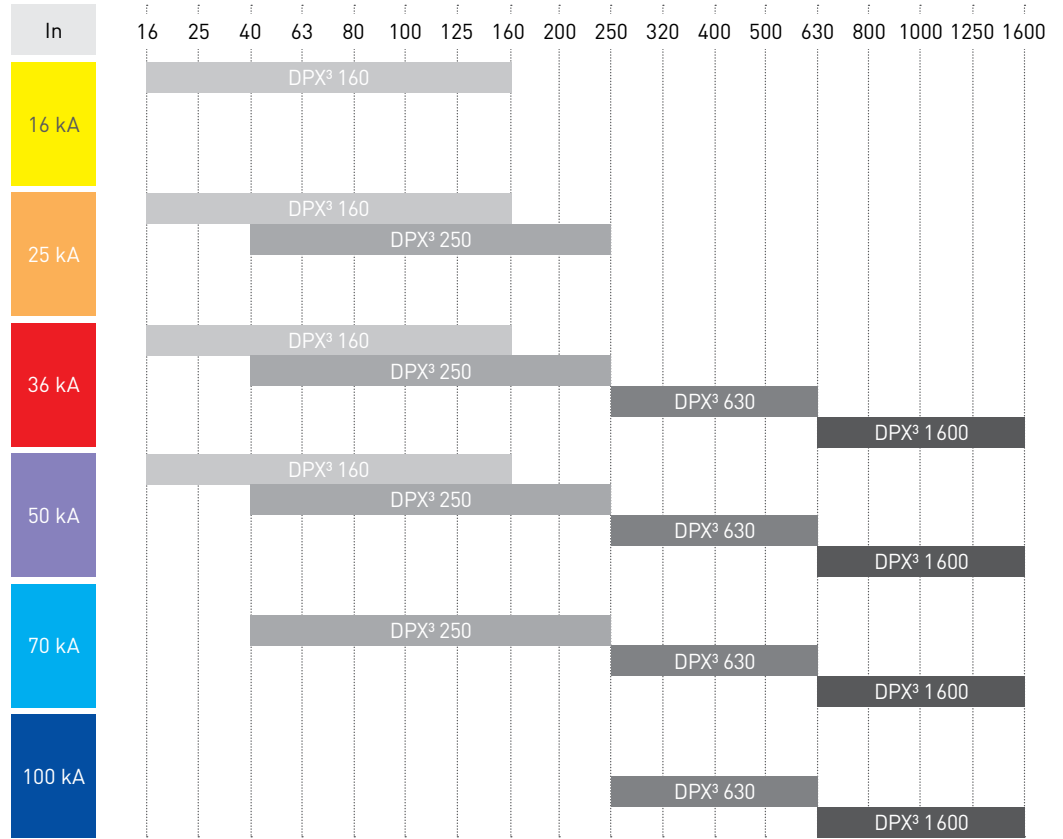
DPX ³ electrical characteristics	28
DPX ³ 160 MCCBs	30
DPX ³ 250 MCCBs	32
DPX ³ 630 MCCBs	40
DPX ³ 1600 MCCBs	48
DPX ³ Automatic transfer switch	79

EXTENSIVE RANGE, HIGH
PERFORMANCE AND SAFETY



A comprehensive range
for all your requirements
from 16 to 1600 A

The DPX³ range features four sizes of moulded case circuit breakers with breaking capacities ranging from 16 to 100 kA.



DPX³ 160
Mounting on rail
or plate



DPX³ 250
Mounting on rail
or plate



DPX³ 630
Mounting on plate



DPX³ 1600
Mounting on plate

Easy identification
of the breaking capacity
by the coloured tab:



16 kA



25 kA

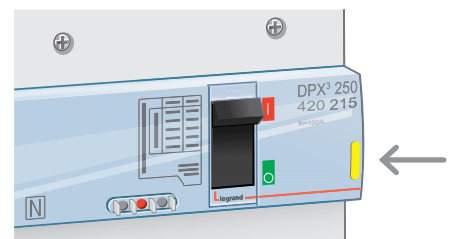


36 kA

50 kA

70 kA

100 kA



EXTENSIVE RANGE, HIGH
PERFORMANCE AND SAFETY



Different versions for
all types
of installation



The DPX³ range includes a wide range of versions to meet all requirements:

- Thermal-magnetic and electronic releases according to the required level of protection
- Fixed, draw-out and plug-in versions according to the required level of maintenance

A WIDE RANGE OF VERSIONS

		DPX ³ 160	DPX ³ 250	DPX ³ 630	DPX ³ 1600
Number of poles	3 P	•	•	•	•
	4 P	•	•	•	•
Version	Fixed	•	•	•	•
	Plug-in	•	•	•	
	Draw-out			•	•
Release	Thermal-magnetic	•	•	•	•
	S1 electronic			•	•
	S2 electronic		•	•	•
	Sg electronic			•	•
Options	Integrated residual current protection	•	•		
	Integrated measurement		•(2)	•(2)	•(2)

1: thermal-magnetic only - 2: S2 or Sg electronic only

SELECTION OF THE TYPE OF RELEASE

	Protection against overloads		Protection against short-circuits			Protection against earth faults	
	I _r	t _r	short delay		instantaneous	I _g	t _g
			I _{sd}	t _{sd}	I _i		
thermal-magnetic	A	F			A ⁽¹⁾		
S1 electronic	A	F	A	F	F		
S2 electronic	A	A	A	A	A		
Sg electronic	A	A	A	A	A	A	A

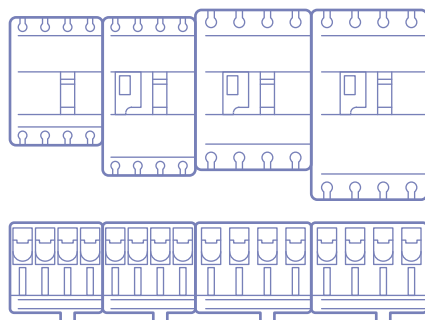
A: adjustable (see catalogue pages for the adjustment ranges)

F: fixed

1: except for DPX³ 160: fixed I_i



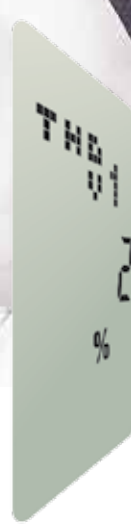
Electronic DPX³ units are adjusted using pushbuttons and the settings are shown on the LCD screen



OPTIMISED INTEGRATION

The DPX³ 160 and 250 are the same depth and can therefore be installed on the same row.

NEW FUNCTIONS
TO SIMPLIFY USE



Currents, voltages, frequency,
power, energy, THD.



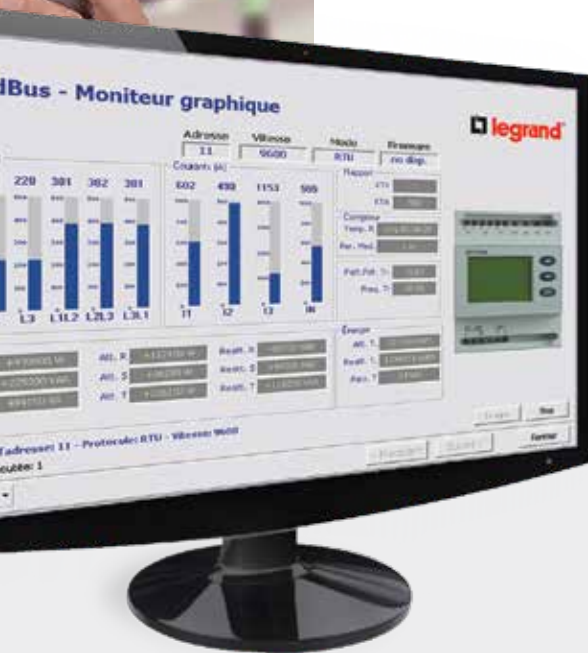
Integrated measurement from 40 to 1600 A

With the new DPX³ electronic circuit breakers with integrated measurement, it is very easy to monitor the parameters of the various circuits in the installation without using any external device.

The measured values are displayed directly on the LCD screen on the front of the devices.



Integrated measurement is available on the DPX³ 250, 630 and 1600.



The measurement data can also be viewed remotely on a PC equipped with supervision software, via a communication interface.



INTERNAL BATTERY
The protection unit has an internal battery, so it can be adjusted even if the circuit breaker is switched off. Tests can be carried out and faults viewed directly via the LCD screen of the MCCBs

NEW FUNCTIONS
TO SIMPLIFY USE



Integrated measurement: choosing a more compact solution



DPX³ units with integrated measurement combine an electronic circuit breaker and a high-performance measurement control unit with LCD display in a single device.

Integrated measurement means:

- Protection of the installation against electrical faults
- Measurement and display of the installation's parameters
- Time-saving as a result of simplified installation and wiring
- Space-saving in the enclosure



CONVENTIONAL SOLUTION

Legrand also has a complete range of meters, measurement control units and for installations equipped with devices without integrated measurement.



Integrated measurement is available on the DMX³, DPX³ and DX³ ranges. The panel board display is an innovative solution, allowing to integrate informations coming from 8 different devices DX³, DPX³, DMX³ or EMDX³.

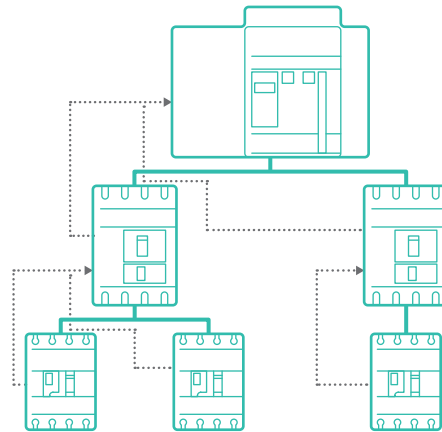
NEW FUNCTIONS
TO SIMPLIFY USE



Total selectivity
for optimum
continuity of service

Selectivity between Legrand circuit breakers, which ensures continuity of service, is optimised by the improved performance of the DPX³ devices.

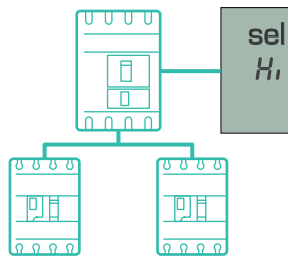
In critical configurations, the dynamic and logical selectivity offered by the new electronic DPX³ protection units provide total selectivity in all situations.



LOGICAL SELECTIVITY

This is “smart” selectivity, obtained by means of communication between DPX³ (and/or DMX³) electronic circuit breakers that are connected together via an external wired link. It enables there to be total selectivity between several levels, as well as a reduction of the thermal and electrodynamic stresses on the cables or bars, thus optimising the installation.

-----> Connection cable for logical selectivity

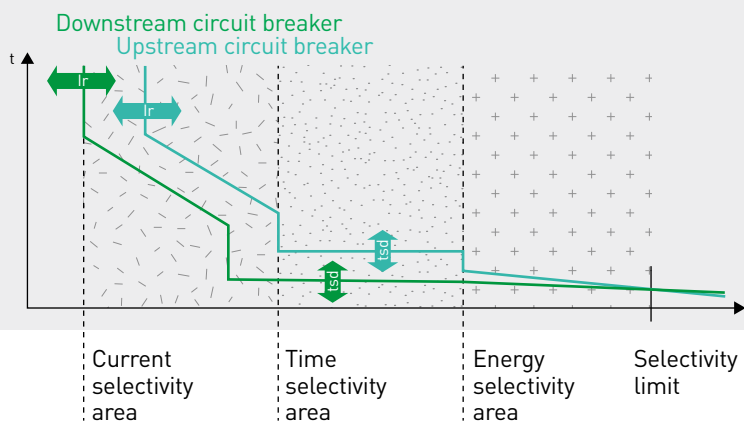


DYNAMIC SELECTIVITY

Electronic DPX³ units have 2-position adjustment:

- Low for normal selectivity level
- High for high selectivity level

When electronic circuit breakers are set to High there is a slight tripping delay, enabling a high level of selectivity to be obtained, even for the highest short-circuit currents.



CURRENT SELECTIVITY AND TIME SELECTIVITY
The precision of the settings on electronic DPX³ units ensures optimum current and time selectivity.



NEW FUNCTIONS
TO SIMPLIFY USE



A range of auxiliaries
and accessories
for an optimum configuration



With the huge range of possibilities offered by the numerous auxiliaries and accessories, DPX³ units can be adapted to fit any installation and any panel configuration.



ELECTRICAL AUXILIARIES

- The same auxiliary or fault signal contacts for the whole range
- Shunt trips or undervoltage releases



ROTARY HANDLES AND MOTOR-DRIVEN HANDLES

- One version for both DPX³ 160 and 250
- Previous DPX versions for DPX³ 630 and 1600



CONNECTION ACCESSORIES

- Cage terminals, extensions, spreaders, rear terminals, etc. to adapt the DPX³ to suit all wiring configurations and simplify panel builder's work

SAFE, QUICK AND EASY
INSTALLATION



Auxiliaries that are easy
to install and wire

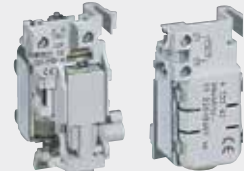
For emergency breaking, automatic or remote control and feedback on the status of the device, all DPX³ circuit breakers can be equipped very easily with a comprehensive range of electrical auxiliaries.



AUXILIARY CONTACTS
or fault signal contacts:
the same for all DPX³



CURRENT SHUNT TRIPS
and undervoltage releases
for DPX³ 160 and 250



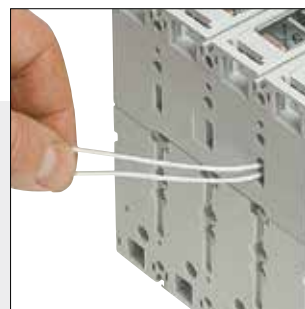
NEW RELEASES
with boxes for
DPX³ 630 and 1600

NUMBER OF AUXILIARIES THAT CAN BE INSTALLED PER DEVICE

	Auxiliary contacts	Fault signal contacts	Releases
DPX ³ 160	1	1	1
DPX ³ 250	1	1	1
DPX ³ 630	2	2	1
DPX ³ 1600	3	1	1



DPX³ have three options for the outgoing connection wires.



Auxiliaries are installed in dedicated locations under the front panel.

SAFE, QUICK AND EASY
INSTALLATION



The side motor-driven handle is mounted on the rail beside the DPX³.

Motorisation and supply inverters for DPX³ 160/250

Motor-driven handles for DPX³ 160 and 250 are available in two versions, side and front.

They can take a wide range of DC and AC voltages, from 24 to 230 V.

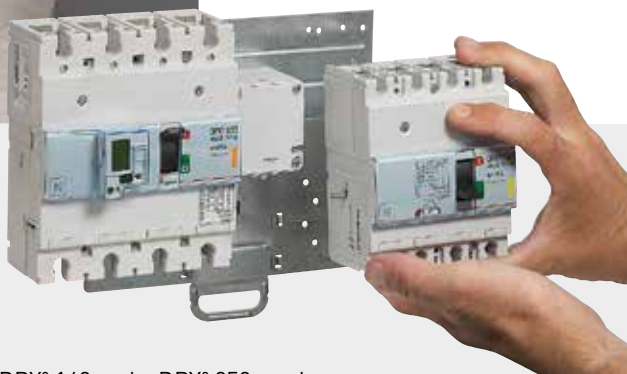


The front motor-driven handle leaves space for access to the connections and for adjustment.

DPX³ 630 and 1600 can be equipped with front motor-driven handles. Supply inverters consist of a plate and an interlocking device, and are factory-assembled.

The interlocking device for DPX³ 160 and 250 greatly simplifies the installation of a supply inverter:

- Extremely easy to install
- Compact
- No adjustment required
- Rail mounting, enabling installation in small cabinets



DPX³ 160 and a DPX³ 250 can be used together for a supply inverter.



With motor-driven handles and the Legrand automation control unit, DPX³ supply inverters can be controlled and managed remotely.

SAFE, QUICK AND EASY
INSTALLATION



Connection accessories
for **all configurations**



Connection plates, cage terminals, spreaders, rear terminals, etc.

The DPX³ range has all the accessories needed for upstream and downstream connection of the circuit breakers via cables or bars in all configurations.

ALL CONNECTION ACCESSORIES

	Cage terminals		Screw terminals for bars	Connection extensions	Adaptors for lugs	Spreaders	Rear terminals
	Standard capacity	Large capacity					
DPX ³ 160	•	•	•			•	•
DPX ³ 250	•	•	•			•	•
DPX ³ 630	•	•		•	•	•	•
DPX ³ 1600	•	•		•		•	•



SPREADERS
These are used for connection via large cross-section cables.



FLAT REAR TERMINALS
These can be turned horizontally or vertically.



TERMINAL SHIELDS
These provide IP 2X protection of the connections.



DPX³ 160 AND 250
The large capacity cage terminals enable connection via large cross-section copper or aluminium cables (see catalogue pages for more detailed information).

SAFE, QUICK AND EASY
INSTALLATION



Plug-in and
draw-out DPX³ for
optimum continuity
of service

The plug-in and draw-out versions enable a faulty device to be replaced in just a few minutes without having to switch off the power supply to the other circuits.

The bases for plug-in and draw-out devices have the same connection options as fixed circuit breakers.

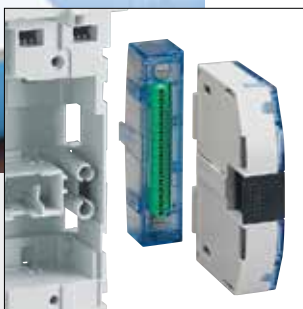


DRAW-OUT DPX³ 630 AND 1600

The “debro-lift” mechanism is very easy to install and fixes onto the support bases. Connection/disconnection is carried out via a mechanism with a handle.

The mechanism has three positions, shown by coloured indicators:

■ connected
 ■ test
 ■ drawn out



With the optional connector, the power can be disconnected while the auxiliaries remain operational for tests.



With its internal battery, the electronic DPX³ protection unit can be set in the workshop before the circuit breaker is inserted on its base.



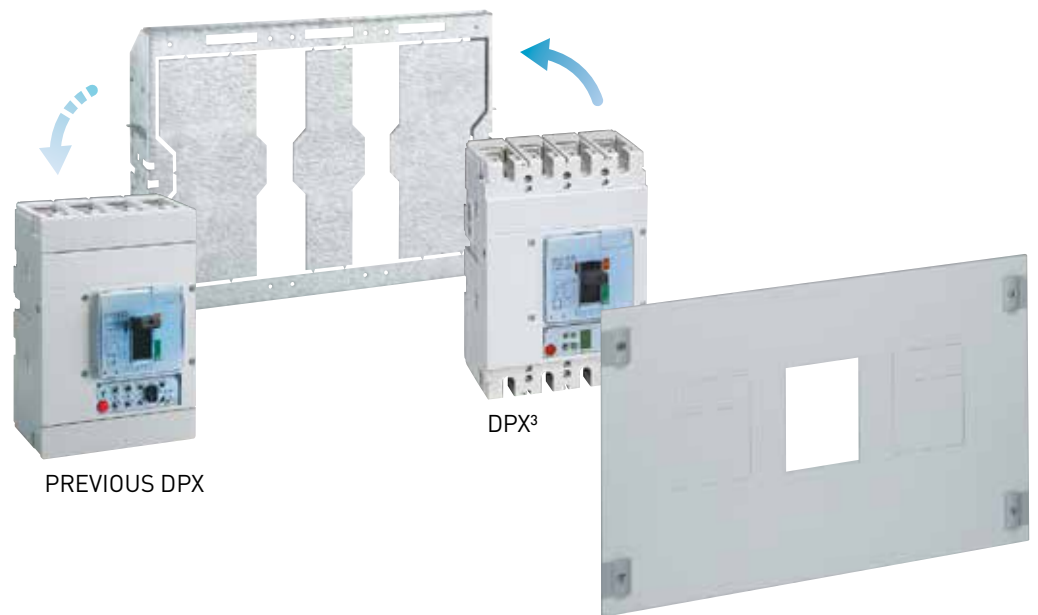
Locking via a key or a padlock prevents the device being switched on, while on its base, during maintenance operations.

SAFE, QUICK AND EASY
INSTALLATION



DPX³ 630/1600:
easy maintenance
and upgrades

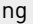
Retrofitting: to ensure panels are easy to maintain and upgrade, the new DPX³ 630 and 1600 use the same mounting plates as the previous DPX 630 and 1600.



PREVIOUS DPX

DPX³



The fixed version DPX³ 160 and 250 with front terminals are mounted on  rails using an adaptor.

SAFE, QUICK AND EASY
INSTALLATION



HX³ 250 and 400 A row distribution
block for DPX³ and modular devices

Distribution systems
that are safe
and reliable

Optimised distribution provides
a complete, coherent system for
distributing electricity in the panel:

- Optimised busbars (C-section zinc-plated copper aluminium)
- Prefabricated links for connecting devices to busbars
- Horizontal distribution blocks with automatic connection of devices (can be connected while power is on)

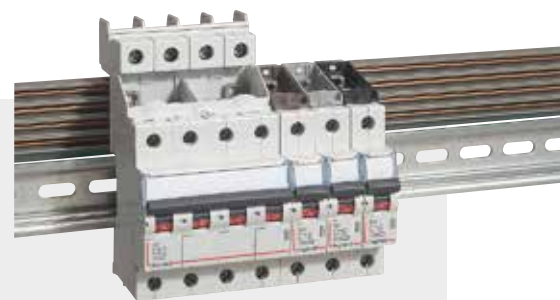
All these components, which have been tested with Legrand devices, can be used to create safe, easy to maintain panels that comply with standard IEC 61439, reduce installation times and optimise the size of the enclosures.



VX³ C-section busbar
and power supply kit



Prefabricated connection
kits for DPX³



Plug-in HX³ 80/125 A row distribution
block for modular devices

SAFE, QUICK AND EASY
INSTALLATION



The XL³ range: enclosures for all requirements

From the XL³ 400 cabinet to the XL³ 6300 enclosure, the Legrand range fulfils all requirements for quality, strength and attractive appearance.

The XL³ range includes numerous practical innovations for quick, safe assembly, real freedom of configuration and considerable time-saving during maintenance and extension operations.



A comprehensive range for all distribution panels up to 6300 A









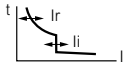
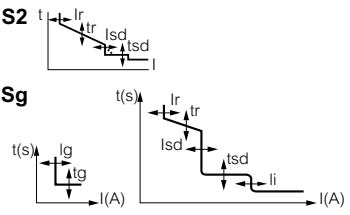
Ergonomic or locking handle, and solid or glazed doors.



Faster access and work with faceplates on hinges.



1/4 turn faceplates with handle.

																
DEVICES	DPX ³ 160 thermal magnetic				DPX ³ 250 thermal magnetic				DPX ³ 250 electronic release							
Mounting	On rail  or on plate				On rail  or on plate				On rail  or on plate							
Breaking capacity (kA) (EN 60947-2 and IEC 60947-2)	16 kA	25 kA	36 kA	50 kA	25 kA	36 kA	50 kA	70 kA	25 kA	36 kA	50 kA	70 kA				
380/415 V~	16	25	36	50	25	36	50	70	25	36	50	70				
220/240 V~	25	35	50	65	40	60	100	100	40	60	100	100				
Breaking capacity (% Icu)	100	100	100	100	100	100	100	100	100	100	100	100				
Characteristic of use																
Nominal frequency	50/60 Hz															
Maximum rated operating voltage Ue	690 V (500 V with integrated e.l.c.bs)				690 V (500 V with integrated e.l.c.bs)				690 V (500 V with integrated e.l.c.bs)							
Category of use	A				A				A							
Thermal magnetic adjustment																
	Thermal	0,8 to 1 I _n				0,8 to 1 I _n				-						
	Magnetic	10 I _n (400 A for 16 A and 25 A sizes)				5 to 10 I _n				-						
Electronic protection adjustment																
	S2	-				-				-						
	Sg	-				-				I _r : 0,4 to 1 I _n I _{sd} : 1,5 to 10 I _r						
Maximum cable cross-section																
	Standard version	High capacity														
Rigid cable	95 mm ²	150 mm ²		150 mm ²				150 mm ²								
Flexible cable	70 mm ²	120 mm ²		120 mm ²				120 mm ²								
Copper bar and lug width	14 mm	18 mm		28,5 mm ⁽¹⁾				28,5 mm ⁽¹⁾								
Tightening torque	8 Nm	8 Nm		10 Nm				10 Nm								
Nominal current (I _n) at 40 °C (A)																
I _n (A)	16	25	40	63	80	100	125	160	100	160	200	250	40	100	160	250
Phase	16	25	40	63	80	100	125	160	100	160	200	250	40	100	160	250
N	16	25	40	63	80	100	125	160	100	160	200	250	0 - 50 -100 % of phase value ⁽³⁾			
N/2	-	-	-	-	-	-	-	-	-	-	-	-	-	-	-	-
Magnetic threshold (I _m) (A) ⁽²⁾ of DPX ³ thermal magnetic																
	Fixed				Adjustable				Adjustable							
I _m (A)	16	25	40	63	80	100	125	160	100	160	200	250	-			
Phase	400	400	400	630	800	1000	1250	1600	125-250	200-400	315-630	500-1000	-			
N	400	400	400	630	800	1000	1250	1600	125-250	200-400	315-630	500-1000	-			
N/2	-	-	-	-	-	-	-	-	-	-	-	-	-			
Endurance (cycles)																
Electrical	8000				8000				8000							
Mechanical	25000				20000				20000							
Electronic earth leakage module																
Type	without or integrated				without or integrated				without or integrated							

1: Copper bars only

2: Trip current for 50/60 Hz. For direct current, multiply by 1.5

 3: For maximum values related to I_n phase limit



**DPX³ 630
thermal magnetic**

**DPX³ 630
electronic release**

**DPX³ 1600
thermal magnetic**

**DPX³ 1600
electronic release**

On plate

On plate

On plate

On plate

36 kA	50 kA	70 kA	100 kA	36 kA	50 kA	70 kA	100 kA	36 kA	50 kA	70 kA	100 kA	36 kA	50 kA	70 kA	100 kA
36	50	70	100	36	50	70	100	36	50	70	100	36	50	70	100
70	100	120	170	70	100	120	170	70	100	120	170	70	100	120	170
100	100	100	100	100	100	100	100	100	100	100	100	100	100	100	100

50/60 Hz

690 V~

690 V~

690 V~

690 V~

A

A: In 630 A - B: In 200 to 400 A

A

B

0.8 to 1 In

-

0.8 to 1 In

-

5 to 10 In

-

5 to 10 In

-

	S2	Sg
Ir = 0.4 - 1 x In	•	•
tr = 3-30 s	•	•
I _{sd} = 1.5 - 10 Ir	•	•
I _{sd} (I=K) = 0-500 ms	•	•
I _{sd} (I²t=K) = 0-500 ms	•	•
I _g = 0.2 - 1 x In	•	•
I _g = 0.1 - 1 s	•	•

	S2	Sg
Ir = 0.4 - 1 x In	•	•
tr = 3-30 s	•	•
I _{sd} = 1.5 - 10 Ir	•	•
I _{sd} (I=K) = 0-500 ms	•	•
I _{sd} (I²t=K) = 0-500 ms	•	•
I _g = 0.2 - 1 x In	•	•
I _g = 0.1 - 1 s	•	•

300 mm² or 2 x 240 mm²

300 mm² or 2 x 240 mm²

2 or 4 x 240 mm²

2 or 4 x 240 mm²

240 mm² or 2 x 185 mm²

240 mm² or 2 x 185 mm²

2 or 4 x 185 mm²

2 or 4 x 185 mm²

32 mm

32 mm

50 mm

50 mm

15 Nm

20 Nm

250	320	400	500	630	250	320	400	500	630	500	630	800	1000	1250	500	630	800	1000	1250	1600
250	320	400	500	630	250	320	400	500	630	500	630	800	1000	1250	500	630	800	1000	1250	1600
250	320	400	500	630	0 - 50 - 100 % of phase value ⁽³⁾					500	630	800	1000	1250	0 - 50 - 100 % of phase value ⁽³⁾					
-	250	250	250	320	-					-	-	-	500	630	-					

Adjustable

250	320	400	500	630	-					500	630	800	1000	1250	-				
1250-2500	1600-3200	2000-4000	2500-5000	3150-6300	-					2500-5000	3150-6300	4000-8000	5000-10000	6250-12500	-				
1250-2500	1600-3200	2000-4000	2500-5000	3150-6300	-					2500-5000	3150-6300	4000-8000	5000-10000	6250-12500	-				
-	1000-2000	1250-2500	1600-2500	2000-4000	-					-	-	-	2500-5000	3150-5000	-				

5000

5000

4000

4000

10000

20000

10000

10000

downstream e.l.c.bs.

downstream e.l.c.bs.

-

-

DPX³ 160 thermal magnetic

MCCBs from 16 to 160 A



4200 00



4200 10

Electrical characteristics **p. 28-29**
Dimensions **p. 58**

Can be mounted on rail
MCCBs for switching, control isolation and protection of low voltage electrical lines
Supplied with cage terminals 70 mm² max. (flexible cable) or 95 mm² max. rigid cable with accessories
Can be fitted with accessories and DPX³ common auxiliares (p. 38)
Conform to IEC 60947-2

Pack	Cat.Nos	MCCBs - fixed version
		Thermal adjustable from 0,8 to 1 In Magnetic fixed at 10 In (fixed at 400 A for In 16 A and 25 A)
		Breaking capacity Icu 16 kA (400 V~)
	3P	In (A)
1	4200 00	16
1	4200 01	25
1	4200 02	40
1	4200 03	63
1	4200 04	80
1	4200 05	100
1	4200 06	125
1	4200 07	160
		Breaking capacity Icu 25 kA (400 V~)
1	4200 40	16
1	4200 41	25
1	4200 42	40
1	4200 43	63
1	4200 44	80
1	4200 45	100
1	4200 46	125
1	4200 47	160
		Breaking capacity Icu 36 kA (400 V~)
1	4200 80	16
1	4200 81	25
1	4200 82	40
1	4200 83	63
1	4200 84	80
1	4200 85	100
1	4200 86	125
1	4200 87	160
		Breaking capacity Icu 50 kA (400 V~)
1	4201 20	16
1	4201 21	25
1	4201 22	40
1	4201 23	63
1	4201 24	80
1	4201 25	100
1	4201 26	125
1	4201 27	160

MRP* ₹ per Unit	Pack	Cat.Nos	MCCBs - fixed version	MRP* ₹ per Unit
			Thermal adjustable from 0,8 to 1 In Magnetic fixed at 10 In (fixed at 400 A for In 16 A and 25 A)	
			Breaking capacity Icu 16 kA (400 V~)	
		4P	In (A)	
5516	1	4200 10	16	6980
5368	1	4200 11	25	6886
5006	1	4200 12	40	6384
5004	1	4200 13	63	6254
5004	1	4200 14	80	6254
4860	1	4200 15	100	6184
5458	1	4200 16	125	6898
6550	1	4200 17	160	8274
			Breaking capacity Icu 25 kA (400 V~)	
8914	1	4200 50	16	12360
8592	1	4200 51	25	12084
8694	1	4200 52	40	11750
6830	1	4200 53	63	9120
6830	1	4200 54	80	9120
6738	1	4200 55	100	9214
7388	1	4200 56	125	10506
8864	1	4200 57	160	12606
			Breaking capacity Icu 36 kA (400 V~)	
10638	1	4200 90	16	13426
9892	1	4200 91	25	12438
10110	1	4200 92	40	13136
7672	1	4200 93	63	10764
7672	1	4200 94	80	10764
7708	1	4200 95	100	10538
9062	1	4200 96	125	12094
11564	1	4200 97	160	14518
			Breaking capacity Icu 50 kA (400 V~)	
12450	1	4201 30	16	15590
11212	1	4201 31	25	13116
11564	1	4201 32	40	16022
8706	1	4201 33	63	14732
8706	1	4201 34	80	14732
8900	1	4201 35	100	13680
10872	1	4201 36	125	15496
14670	1	4201 37	160	18624

*MRP - Maximum Retail Price Inclusive of all taxes.

Bold catalogue numbers are products normally available with Legrand (India) stockists.

Cat.Nos that are not bold - delivery within 4 - 8 weeks from the date of order.

Bold packing quantity is our mandatory packing. Orders to be placed by Legrand (India) stockists in multiples of the same.

DPX³ 160 thermal magnetic

MCCBs from 16 to 160 A



4200 37



4201 57

Electrical characteristics p. 28-29
Dimensions p. 58

Can be mounted on rail .
MCCBs for switching, control isolation and protection of low voltage electrical lines Supplied with cage terminals 70 mm² max. (flexible cable) or 95 mm² max. rigid cable with accessories Can be fitted with accessories and DPX³ common auxiliaires (p. 38)
Conform to IEC 60947-2

Pack	Cat.Nos	MCCBs with electronic earth leakage module - fixed version	MRP* ₹ per Unit
		Thermal adjustable from 0,8 to 1 In Magnetic fixed at 10 In (fixed at 400 A for In 16 A and 25 A) Equipped with earth leakage module with LCD screen Adjustable sensitivity: 0.03 - 0.3 - 1 - 3 A Adjustable tripping: 0 - 0.3 - 1 - 3s (with 0.03 A possible only 0 s)	
		Breaking capacity Icu 16 kA (400 V~) In (A)	
	4P		
1	4200 30	16	22448
1	4200 31	25	22350
1	4200 32	40	21818
1	4200 33	63	21682
1	4200 34	80	21614
1	4200 35	100	21614
1	4200 36	125	23096
1	4200 37	160	28072
		Breaking capacity Icu 25 kA (400 V~)	
1	4200 70	16	28092
1	4200 71	25	27806
1	4200 72	40	27454
1	4200 73	63	24694
1	4200 74	80	24792
1	4200 75	100	24792
1	4200 76	125	26888
1	4200 77	160	32260
		Breaking capacity Icu 36 kA (400 V~)	
1	4201 10	16	29214
1	4201 11	25	28176
1	4201 12	40	28910
1	4201 13	63	26420
1	4201 14	80	26178
1	4201 15	100	26178
1	4201 16	125	28554
1	4201 17	160	34196
		Breaking capacity Icu 50 kA (400 V~)	
1	4201 50	16	32898
1	4201 51	25	31728
1	4201 52	40	32554
1	4201 53	63	30480
1	4201 54	80	30206
1	4201 55	100	30206
1	4201 56	125	32154
1	4201 57	160	38508

*MRP - Maximum Retail Price Inclusive of all taxes.

DPX³ 160 equipment and mounting accessories



4210 40



4210 36

Pack	Cat.Nos	Equipment for plug-in version	MRP* ₹ per Unit
		A plug-in version DPX ³ is a fixed version DPX ³ mounted on a plug-in base	
		Plug-in bases for DPX³ 160	
		Front or rear terminal mounting base	
1	4210 40	For DPX ³ 160 - 3P	24852
1	4210 41	For DPX ³ 160 - 4P with or without earth leakage module	33314
		Connectors for auxiliary contacts	
1	4210 44	Set of connectors	9890
		Padlocks for plug-in base	
1	4210 45	Key barrel and flat key	22056
1	4210 46	Key barrel and star key	19974
1	4210 47	Padlock accessory	6130
		Connection accessories	
		High capacity cage terminals	
		For Cu/Al cables, 1 x 120 mm ² for flexible cables and 1 x 150 mm ² for rigid cable and 18 mm bars	
1	4210 26	Set of 3 terminals	5254
1	4210 27	Set of 4 terminals	6878
		Insulated shields	
1	4210 70	Set of 3 insulated shields	114
		Screw terminals for bars connection	
		For copper bars	
1	4210 28	Set of 3 terminals	596
1	4210 29	Set of 4 terminals	722
		Spreaders	
		For incoming bars or cable lugs	
1	6250 02	Set of 3 spreaders for DPX ³ 160 3P	304
1	6250 06	Set of 4 spreaders for DPX ³ 160 4P	678
		Rear terminals	
		Flat swivel terminals Used to convert a fixed version with front terminals to a fixed version with rear terminals	
1	4210 36	Set of 3 rear terminals for DPX ³ 160 3P	4964
1	4210 37	Set of 4 rear terminals for DPX ³ 160 4P	6596
		Sealable terminal shields	
		For front terminals	
1	4210 54	For DPX ³ 160 3P	5422
1	4210 55	For DPX ³ 160 4P	5672
		For rear terminals	
1	4210 50	For DPX ³ 160 3P	3394
1	4210 51	For DPX ³ 160 4P	3016
		Fixing plates	
		For fixing DPX ³ 160 on rail or on plate	
1	4210 71	For DPX ³ 160 3P/4P without earth leakage module	280
1	4210 73	For DPX ³ 160 4P with earth leakage module	680
1	4210 68	For DPX ³ 160 3P/4P with side mounting motor operator	1250

Bold catalogue numbers are products normally available with Legrand (India) stockists.

Cat.Nos that are not bold - delivery within 4 - 8 weeks from the date of order.

Bold packing quantity is our mandatory packing. Orders to be placed by Legrand (India) stockists in multiples of the same.

DPX³ 160

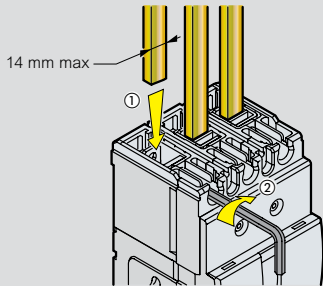
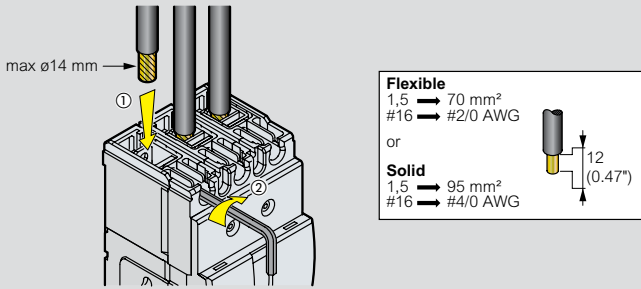
connection

DPX³ 250 thermal magnetic

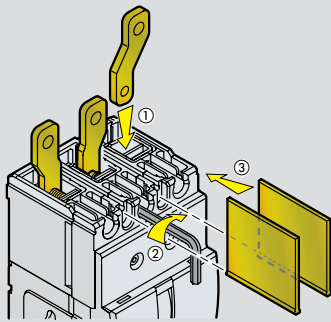
MCCBs from 100 to 250 A

Connection

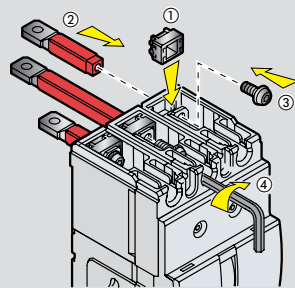
Direct connection



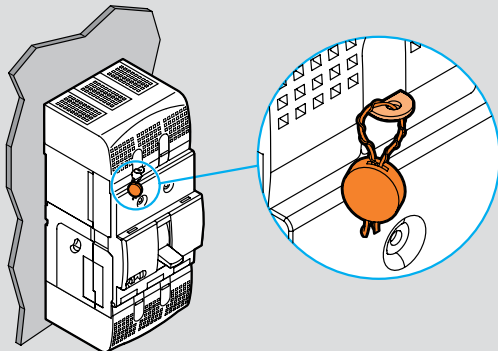
Spreaders



Rear terminals



Sealable terminal shield



4202 05

Electrical characteristics **p. 28-29**
Dimensions **p. 59**

Can be mounted on rail
MCCBs for switching, control isolation and protection of low voltage electrical lines
Supplied with insulated shileds, cage terminals 120 mm² max. (flexible cable) or 150 mm² max. rigid cable with accessories
Can be fitted with accessories and DPX³ common auxiliaires (p. 38)
Conform to IEC 60947-2

Pack	Cat.Nos	MCCBs - fixed version	MRP* ₹ per Unit
		Thermal adjustable from 0,8 to 1 In Magnetic adjustable from 5 to 10 In	
		Breaking capacity Icu 25 kA (400 V~)	
		3P In (A)	
1	4202 05	100	8176
1	4202 07	160	12268
1	4202 08	200	15316
1	4202 09	250	19144
		Breaking capacity Icu 36 kA (400 V~)	
1	4202 35	100	14392
1	4202 37	160	15336
1	4202 38	200	17772
1	4202 39	250	19454
		Breaking capacity Icu 50 kA (400 V~)	
1	4202 65	100	15512
1	4202 67	160	17080
1	4202 68	200	19998
1	4202 69	250	21748
		Breaking capacity Icu 70 kA (400 V~)	
1	4206 05	100	17610
1	4206 07	160	22064
1	4206 08	200	27030
1	4206 09	250	28684
		Breaking capacity Icu 25 kA (400 V~)	
1	4202 15	100	10224
1	4202 17	160	15336
1	4202 18	200	19144
1	4202 19	250	23928
		Breaking capacity Icu 36 kA (400 V~)	
1	4202 45	100	15446
1	4202 47	160	19202
1	4202 48	200	21696
1	4202 49	250	24906
		Breaking capacity Icu 50 kA (400 V~)	
1	4202 75	100	19640
1	4202 77	160	21476
1	4202 78	200	24884
1	4202 79	250	27052
		Breaking capacity Icu 70 kA (400 V~)	
1	4206 15	100	19858
1	4206 17	160	27580
1	4206 18	200	33096
1	4206 19	250	34752

*MRP - Maximum Retail Price Inclusive of all taxes.

Bold catalogue numbers are products normally available with Legrand (India) stockists.
Cat.Nos that are not bold - delivery within 4 - 8 weeks from the date of order.

Bold packing quantity is our mandatory packing. Orders to be placed by Legrand (India) stockists in multiples of the same.

DPX³ 250 thermal magnetic

MCCBs from 100 to 250 A (continued)



4202 25

Electrical characteristics **p. 28-29**
 Dimensions **p. 59**

Can be mounted on rail
 MCCBs for switching, control isolation and protection of low voltage electrical lines
 Supplied with insulated shileds, cage terminals 120 mm² max. (flexible cable) or 150 mm² max. rigid cable with accessories
 Can be fitted with accessories and DPX³ common auxiliaires (p. 38)
 Conform to IEC 60947-2

Pack	Cat.Nos	MCCBs with electronic earth leakage module - fixed version	MRP* ₹ per Unit
		Thermal adjustable from 0.8 to 1 In Magnetic adjustable from 5 to 10 In Equipped with earth leakage module with LCD screen Adjustable sensitivity: 0.03 - 0.3 - 1 - 3 A Adjustable tripping: 0 - 0.3 - 1 - 3s (with 0.03 A possible only 0s)	
	4P		
1	4202 25	100	33856
1	4202 27	160	39466
1	4202 28	200	41354
1	4202 29	250	44166
		Breaking capacity Icu 25 kA (400 V~)	
		In (A)	
1	4202 55	100	37584
1	4202 57	160	43806
1	4202 58	200	45906
1	4202 59	250	49026
		Breaking capacity Icu 36 kA (400 V~)	
1	4202 85	100	43872
1	4202 87	160	51136
1	4202 88	200	53830
1	4202 89	250	57140
		Breaking capacity Icu 50 kA (400 V~)	
1	4206 25	100	44582
1	4206 27	160	55732
1	4206 28	200	60278
1	4206 29	250	63692

*MRP - Maximum Retail Price Inclusive of all taxes.

DPX³ 250 electronic release

MCCBs from 40 to 250 A



4203 69

Electrical characteristics **p. 28-29**
 Dimensions **p. 59**

Can be mounted on rail
 MCCBs for switching, control isolation and protection of low voltage electrical lines
 Supplied with insulated shileds, cage terminals 120 mm² max. (flexible cable) or 150 mm² max. rigid cable with accessories
 Can be fitted with accessories and DPX³ common auxiliaires (p. 38)
 Conform to IEC 60947-2

Pack	Cat.Nos	MCCBs - fixed version	MRP* ₹ per Unit
		Protection against overloads: I _r adjustable from 0.4 to 1 x I _n t _r adjustable from 3 to 15s Protection against short circuits: I _{sd} adjustable from 1.5 to 10 x I _r t _{sd} adjustable from 0 to 0.5s	
		Breaking capacity Icu 25 kA (400 V~)	
		In (A)	
1	4203 02	40	13794
1	4203 05	100	13794
1	4203 07	160	17944
1	4203 09	250	24670
		Breaking capacity Icu 36 kA (400 V~)	
1	4203 32	40	14580
1	4203 35	100	14580
1	4203 37	160	19068
1	4203 39	250	26916
		Breaking capacity Icu 50 kA (400 V~)	
1	4203 62	40	17606
1	4203 65	100	18546
1	4203 67	160	22878
1	4203 69	250	28598
		Breaking capacity Icu 70 kA (400 V~)	
1	4206 35	40	22082
1	4206 37	100	22082
1	4206 38	160	33004
1	4206 39	250	37568
		Breaking capacity Icu 25 kA (400 V~)	
		4P	
1	4203 12	40	18506
1	4203 15	100	18506
1	4203 17	160	23326
1	4203 19	250	31624
		Breaking capacity Icu 36 kA (400 V~)	
1	4203 42	40	19402
1	4203 45	100	19402
1	4203 47	160	26074
1	4203 49	250	34766
		Breaking capacity Icu 50 kA (400 V~)	
1	4203 72	40	22428
1	4203 75	100	22428
1	4203 77	160	28318
1	4203 79	250	37120
		Breaking capacity Icu 70 kA (400 V~)	
1	4206 45	40	28674
1	4206 47	100	28674
1	4206 48	160	38162
1	4206 49	250	48716

Bold catalogue numbers are products normally available with Legrand (India) stockists.

Cat.Nos that are not bold - delivery within 4 - 8 weeks from the date of order.

Bold packing quantity is our mandatory packing. Orders to be placed by Legrand (India) stockists in multiples of the same.

DPX³ 250 electronic release

MCCBs from 40 to 250 A (continued)



4206 79

4204 25

Electrical characteristics p. 28-29
Dimensions p. 59

Can be mounted on rail

MCCBs for switching, control isolation and protection of low voltage electrical lines
Supplied with insulated shields, cage terminals 120 mm² max. (flexible cable) or 150 mm² max. rigid cable with accessories
Can be fitted with accessories and DPX³ common auxiliaries (p. 38)
Conform to IEC 60947-2

Pack	Cat.Nos	MCCBs with energy metering central unit - fixed version	MRP* ₹ per Unit	Pack	Cat.Nos	MCCBs with energy metering central unit and electronic earth leakage module - fixed version	MRP* ₹ per Unit
		Protection against overloads: I _r adjustable from 0.4 to 1 x I _n t _r adjustable from 3 to 15s Protection against short circuits: I _{sd} adjustable from 1.5 to 10 x I _r t _{sd} adjustable from 0 to 0.5s Integrated energy metering central unit with LCD screen; currents, voltage, frequency, power, energy and harmonics				Protection against overloads: I _r adjustable from 0.4 to 1 x I _n t _r adjustable from 3 to 15s Protection against short circuits: I _{sd} adjustable from 1.5 to 10 x I _r t _{sd} adjustable from 0 to 0.5s Equipped with earth leakage module with LCD screen Adjustable sensitivity: 0.03 - 0.3 - 1 - 3 A Adjustable tripping: 0 - 0.3 - 1 - 3s (with 0.03 A possible only 0s) Integrated energy metering central unit with LCD screen; currents, voltage, frequency, power, energy and harmonics	
		Breaking capacity Icu 25 kA (400 V\sim)				Breaking capacity Icu 25 kA (400 V\sim)	
	4P	I _n (A)			4P	I _n (A)	
1	4204 12	40	45788	1	4204 22	40	72232
1	4204 15	100	45788	1	4204 25	100	72232
1	4204 17	160	49562	1	4204 27	160	76012
1	4204 19	250	56468	1	4204 29	250	85504
		Breaking capacity Icu 36 kA (400 V\sim)				Breaking capacity Icu 36 kA (400 V\sim)	
1	4204 42	40	46702	1	4204 52	40	73150
1	4204 45	100	46702	1	4204 55	100	73150
1	4204 47	160	52302	1	4204 57	160	78748
1	4204 49	250	59588	1	4204 59	250	88624
		Breaking capacity Icu 50 kA (400 V\sim)				Breaking capacity Icu 50 kA (400 V\sim)	
1	4204 72	40	49538	1	4204 82	40	75984
1	4204 75	100	49538	1	4204 85	100	75984
1	4204 77	160	54368	1	4204 87	160	80814
1	4204 79	250	61740	1	4204 89	250	90778
		Breaking capacity Icu 70 kA (400 V\sim)				Breaking capacity Icu 70 kA (400 V\sim)	
1	4206 75	40	54612	1	4206 85	40	81058
1	4206 77	100	54612	1	4206 87	100	81058
1	4206 78	160	62518	1	4206 88	160	88966
1	4206 79	250	86250	1	4206 89	250	115288

*MRP - Maximum Retail Price Inclusive of all taxes.

Bold catalogue numbers are products normally available with Legrand (India) stockists.

Cat.Nos that are not bold - delivery within 4 - 8 weeks from the date of order.

Bold packing quantity is our mandatory packing. Orders to be placed by Legrand (India) stockists in multiples of the same.

DPX³ 250 electronic release

MCCBs from 40 to 250 A (continued)



4205 49

Electrical characteristics **p. 28-29**
Dimensions **p. 59**

Can be mounted on rail

MCCBs for switching, control isolation and protection of low voltage electrical lines

Supplied with insulated shileds, cage terminals 120 mm² max. (flexible cable) or 150 mm² max. rigid cable with accessories

Can be fitted with accessories and DPX³ common auxiliaires (p. 38)

Conform to IEC 60947-2

Pack	Cat.Nos	Electronic release Sg MCCBs - fixed version	MRP* ₹ per Unit	Pack	Cat.Nos	Electronic release Sg MCCBs - fixed version	MRP* ₹ per Unit
		Protection against overloads: I _r adjustable from 0.4 to 1 x I _n t _r adjustable from 3 to 15s Protection against short circuits: I _{sd} adjustable from 1.5 to 10 x I _r t _{sd} adjustable from 0 to 0.5s Protection against earth fault: I _g adjustable: from 0.2 to 1 x I _n and OFF position t _g adjustable from 0.1 to 1s Breaking capacity I_{cu} 25 kA (400 V~)				Protection against overloads: I _r adjustable from 0.4 to 1 x I _n t _r adjustable from 3 to 15s Protection against short circuits: I _{sd} adjustable from 1.5 to 10 x I _r t _{sd} adjustable from 0 to 0.5s Protection against earth fault: I _g adjustable: from 0.2 to 1 x I _n and OFF position t _g adjustable from 0.1 to 1s Breaking capacity I_{cu} 25 kA (400 V~)	
	3P	In (A)			4P	In (A)	
1	4205 02	40	32796	1	4205 12	40	36744
1	4205 05	100	32796	1	4205 15	100	36744
1	4205 07	160	36348	1	4205 17	160	40594
1	4205 09	250	40132	1	4205 19	250	47624
		Breaking capacity I_{cu} 36 kA (400 V~)				Breaking capacity I_{cu} 36 kA (400 V~)	
1	4205 22	40	33676	1	4205 32	40	37678
1	4205 25	100	33676	1	4205 35	100	37678
1	4205 27	160	37556	1	4205 37	160	43374
1	4205 29	250	41328	1	4205 39	250	50794
		Breaking capacity I_{cu} 50 kA (400 V~)				Breaking capacity I_{cu} 50 kA (400 V~)	
1	4205 42	40	36482	1	4205 52	40	40560
1	4205 45	100	36482	1	4205 55	100	40560
1	4205 47	160	40976	1	4205 57	160	45486
1	4205 49	250	43870	1	4205 59	250	52994
		Breaking capacity I_{cu} 70 kA (400 V~)				Breaking capacity I_{cu} 70 kA (400 V~)	
1	4206 92	40	41362	1	4207 02	40	47100
1	4206 95	100	41362	1	4207 05	100	47100
1	4206 97	160	51302	1	4207 07	160	55390
1	4206 99	250	51412	1	4207 09	250	80292

*MRP - Maximum Retail Price Inclusive of all taxes.

DPX³ 250 equipment and mounting accessories



4210 44

4210 31

4210 72

Pack	Cat.Nos	Equipment for plug-in version	MRP* ₹ per Unit
		A plug-in version DPX ³ is a fixed version DPX ³ mounted on a plug-in base	
		Plug-in bases for DPX³ 250	
1	4210 42	Front or rear terminal mounting base	27832
1	4210 43	For DPX ³ 250 - 3P	33524
		For DPX ³ 250 - 4P with or without earth leakage module	
		Connectors for auxiliary contacts	
1	4210 44	Set of connectors	9890
		Padlocks for plug-in base	
1	4210 45	Key barrel and flat key N° ABA90GEL6149	22056
1	4210 46	Key barrel and star key N° HBA90GPS6149	19974
1	4210 47	Padlock accessory	6130
		Connection accessories	
		Cage terminals	
		For Cu/Al cables, 1 x 120 mm ² for flexible cables and 1 x 150 mm ² for rigid cables and lugs 28.5 x 8 x 8.5 mm	
1	4210 30	Set of 3 terminals	2116
1	4210 31	Set of 4 terminals	2756
		Insulated shields	
1	4210 70	Set of 3 insulated shields	114
		Spreaders	
		For incoming bars or cable lugs	
1	6250 14	Set of 3 spreaders for DPX ³ 250 3P	528
1	6250 18	Set of 4 spreaders for DPX ³ 250 4P	790
		Rear terminals	
		Flat swivel terminals	
		Used to convert a fixed version with front terminals to a fixed version with rear terminals	
1	4210 38	Set of 3 rear terminals for DPX ³ 250 3P	4642
1	4210 39	Set of 4 rear terminals for DPX ³ 250 4P	6188
		Sealable terminal shields	
		For front terminals	
1	4210 56	For DPX ³ 250 3P	5720
1	4210 57	For DPX ³ 250 4P	6054
		For rear terminals	
1	4210 52	For DPX ³ 250 3P	3410
1	4210 53	For DPX ³ 250 4P	3748
		Fixing plates	
		For fixing DPX ³ 250 on \perp rail or on plate	
1	4210 72	For DPX ³ 250 3P/4P without earth leakage module	280
1	4210 74	For DPX ³ 250 4P with earth leakage module	1174
1	4210 69	For DPX ³ 250 3P/4P with side mounting motor operator	1264

*MRP - Maximum Retail Price Inclusive of all taxes.

EKINOXE™

Ekinox™ MCCB DBs for DPX³ MCCBs

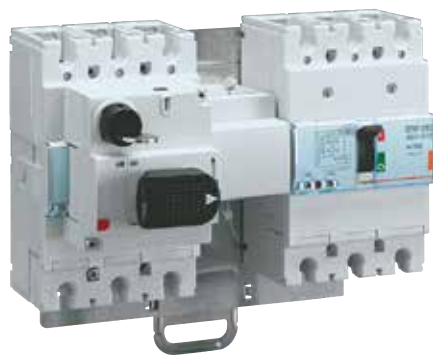


- As per IS 8623
- Available in 4, 6, 8 and 12 ways
- Fully insulated busbars and neutral bars
- Reversible doors for IP43 and IP54 distribution boards
- Provision for DPX³ 160 and DPX³ 250 MCCB as incomer and SP/TP MCBs as outgoing

Bold catalogue numbers are products normally available with Legrand (India) stockists.
Cat.Nos that are not bold - delivery within 4 - 8 weeks from the date of order.

Bold packing quantity is our mandatory packing. Orders to be placed by Legrand (India) stockists in multiples of the same.

DPX³ 160 and 250 common auxiliaries and accessories



4210 58



4210 00



4210 10



4210 11



4210 16



4210 22

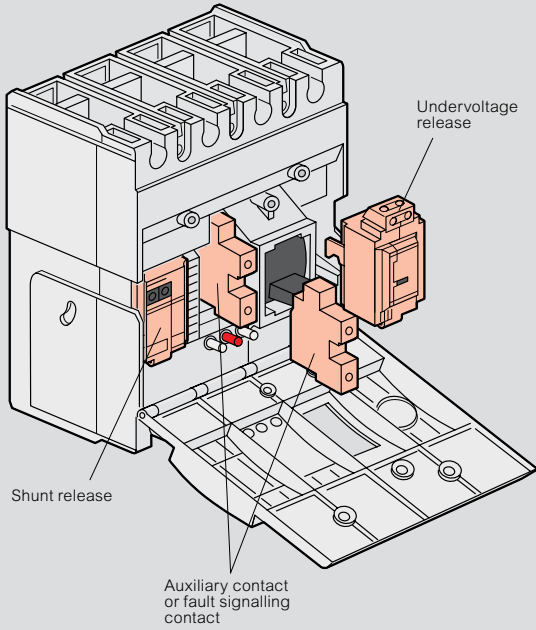
Pack	Cat.Nos	Supply inverter type	MRP* ₹ per Unit	Pack	Cat.Nos	Auxiliaries	MRP* ₹ per Unit
1	4210 58	Plate for mounting and interlocking of 2 DPX ³ For 2 DPX ³ 160 or 2 DPX ³ 250 or 1 DPX ³ 160 and 1 DPX ³ 250	4532	1	4210 10	Auxiliary contacts 1 N/C + 1 N/O auxiliary contact for rotary handles	1172
1	4210 59	For fixed version	4830	1	4210 11	Auxiliary contact or fault signalling contact	914
		For plug-in and draw-out version		1	4210 48	Signalling contact plugged-in / drawn-out (for DPX ³ plug-in version)	3946
		Rotary handles				Shunt releases	
		Direct on DPX		1	4210 12	12 V~ / =	2164
1	6210 00	Standard handle for thermal magnetic DPX ³ without earth leakage module	1316	1	4210 13	24 V~ / =	2164
1	6210 01	Standard handle for electronic DPX ³ and/ or with earth leakage module	1578	1	4210 14	48 V~ / =	2164
		Vari-depth handles		1	4210 15	110-130 V~ / =	2164
1	6210 04	For all version of DPX ³ Standard handle	2000	1	4210 16	200-277 V~ / =	2164
		Locking accessories		1	4210 17	380-480 V~ / =	2164
1	4210 06	Ronis for direct handle	6436	1	4210 18	Undervoltage releases 12 V~ / =	2434
1	4210 07	Profalux for direct handle	7020	1	4210 19	24 V~ / =	2434
1	4210 08	Ronis for vari-depth handle	4096	1	4210 20	48 V~ / =	2434
1	4210 09	Profalux for vari-depth handle	8774	1	4210 21	110-130 V~ / =	2434
		Motor-driven handles		1	4210 22	200-240 V~ / =	2434
		Motor operators 24 to 230 V~ / =		1	4210 23	277 V~	2434
1	4210 60	Side motor operator	23022	1	4210 24	380-415 V~	2434
1	4210 61	Front motor operator	20680	1	4210 25	440-480 V~	2434
		Locking accessories				Locking accessory	
1	4210 62	Ronis key barrel for front motor operator	21628	1	4210 49	Padlock for locking in "open" position	1412
1	4210 63	Profalux key barrel for front motor operator	19640			Communication interface	
1	4210 64	Padlock for front motor operator	2802	1	4210 75	Modbus	17644
1	4210 65	Ronis key barrel for side motor operator	21808				
1	4210 66	Profalux key barrel for side motor operator	19818				
1	4210 67	Padlock for side motor operator	2976				

*MRP - Maximum Retail Price Inclusive of all taxes.

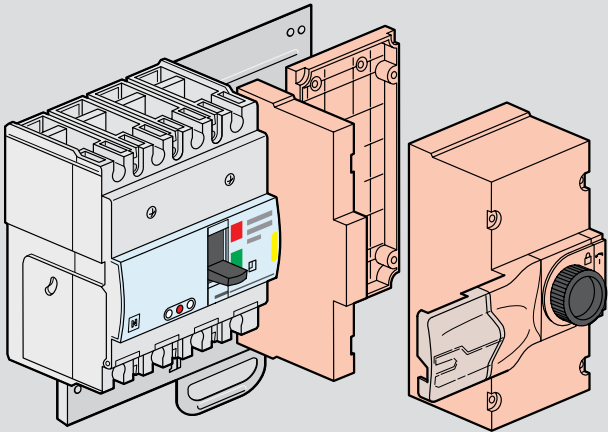
DPX³ 160/250

installation principle

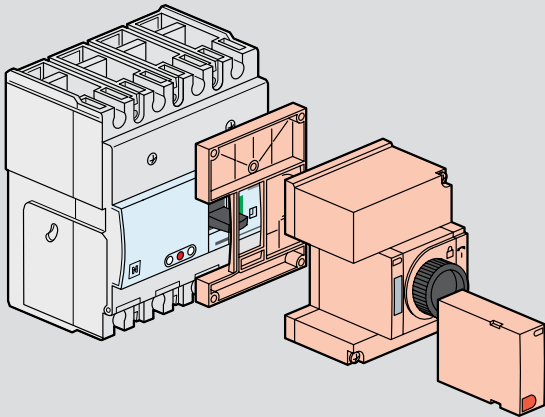
Auxiliaries mounting



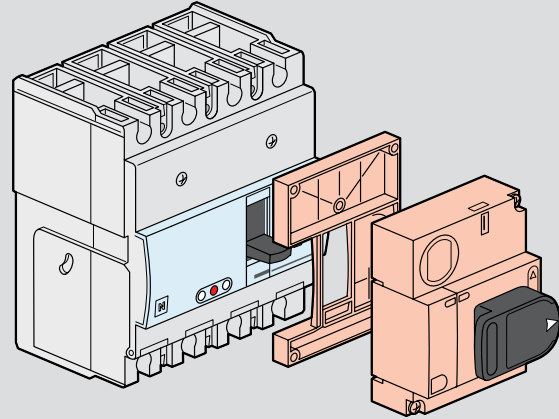
Side mounting motor-driven handle



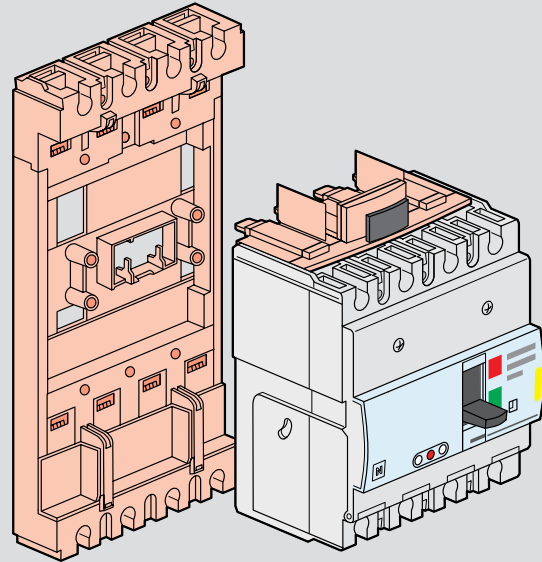
Front mounting motor-driven handle



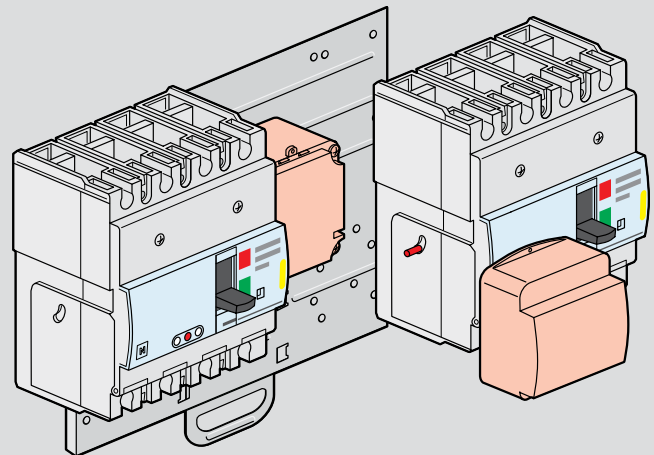
Direct rotary handle



Plug-in version



Supply inverter type



DPX³ 630

thermal magnetic release MCCBs from 250 to 630 A



4220 02



4220 07

Dimensions **p. 61**
 Electrical characteristics **p. 28-29**

Moulded case MCCBs for switching, control isolation and protection of low voltage electrical lines
 Can be fitted with auxiliaries (p. 38)
 Can be used with earth leakage modules (p. 57) or with residual current relays (p. 57)
 Supplied complete with:
 - connection plates for bars
 - terminal shields
 Conform to IEC 60947-2 - Sealable adjustment

Pack	Cat.Nos	MCCBs thermal magnetic release - fixed version
		Thermal adjustable from 0.8 to 1 In Magnetic adjustable from 5 to 10 In
		Breaking capacity Icu 36 kA (400 V~)
	3P	In (A)
1	4220 01	320
1	4220 02	400
1	4220 03	500
1	4220 04	630
		Breaking capacity Icu 50 kA (400 V~)
1	4220 15	320
1	4220 16	400
1	4220 17	500
1	4220 18	630
		Breaking capacity Icu 36 kA (400 V~)
	4P	In (A)
1	4220 06	320
1	4220 07	400
1	4220 08	500
1	4220 09	630
		Breaking capacity Icu 50 kA (400 V~)
1	4220 20	320
1	4220 21	400
1	4220 22	500
1	4220 23	630

MRP* ₹ per Unit	Pack	Cat.Nos	MCCBs thermal magnetic release - fixed version (continued)	MRP* ₹ per Unit
			Breaking capacity Icu 70 kA (400 V~)	
		3P	In (A)	
	1	4220 29	320	29866
	1	4220 30	400	30016
	1	4220 31	500	38282
	1	4220 32	630	40310
			Breaking capacity Icu 100 kA (400 V~)	
	1	4220 43	320	■
	1	4220 44	400	■
	1	4220 45	500	■
	1	4220 46	630	■
24512			Breaking capacity Icu 70 kA (400 V~)	
24512		4P	In (A)	
28160	1	4220 34	320	36900
30058	1	4220 35	400	36900
	1	4220 36	500	49000
	1	4220 37	630	49000
26070			Breaking capacity Icu 100 kA (400 V~)	
26154	1	4220 48	320	■
30614	1	4220 49	400	■
32810	1	4220 50	500	■
	1	4220 51	630	■
30730				
30730				
35520				
37482				

■ Price available on request.
 *MRP - Maximum Retail Price Inclusive of all taxes.

DPX³ 630/1600

electronic release

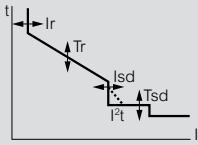
DPX³ 630

S2 electronic release MCCBs from 250 to 630 A



Performance data

S2 - Adjustment of Ir, tr, Isd, tsd



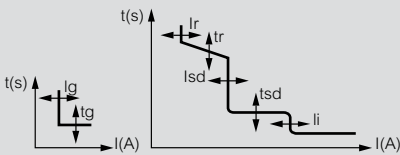
Protection against overloads:

- Ir adjustable from 0.4 to 1 x In
- tr adjustable from 3 to 15 s

Protection against short circuits:

- Isd adjustable from 1.5 to 10 x Ir
- tsd adjustable from 0 to 0.5 s

Sg - Adjustment of Ir, tr, Isd, tsd, Ig, tg



Protection against overloads:

- Ir adjustable from 0.4 to 1 x In
- tr adjustable from 3 to 15 s

Protection against short circuits:

- Isd adjustable from 1.5 to 10 x Ir
- tsd adjustable from 0 to 0.5 s

Protection against earth fault:

- Ig adjustable: from 0.2 to 1 x In and OFF position
- tg adjustable from 0.1 to 1 s



4220 60



Dimensions **p. 61**

Electrical characteristics **p. 28-29**

Moulded case MCCBs for switching, control isolation and protection of low voltage electrical lines

Can be fitted with auxiliaries (p. 38)

Can be used with earth leakage modules (p. 57) or with residual current relays (p. 57)

Supplied complete with:

- connection plates for bars
- terminal shields

Conform to IEC 60947-2 - Sealable adjustment

Pack	Cat.Nos	MCCBs electronic release S2 - fixed version	MRP* ₹ per Unit
		Adjustment of Ir, Isd, tr, tsd Instantaneous protection If = 5 kA Green indicator lamp Connector for test unit Logic and dynamic selectivity 4P version: adjustment of neutral on front panel	
		Breaking capacity Icu 36 kA (400 V~)	
	3P	In (A)	
1	4220 57	320	30532
1	4220 58	400	30532
1	4220 59	500	33858
1	4220 60	630	33858
		Breaking capacity Icu 50 kA (400 V~)	
1	4220 67	320	32904
1	4220 68	400	32904
1	4220 69	500	36480
1	4220 70	630	41790
		Breaking capacity Icu 70 kA (400 V~)	
1	4220 77	320	39244
1	4220 78	400	39244
1	4220 79	500	44352
1	4220 80	630	44352
		Breaking capacity Icu 100 kA (400 V~)	
1	4220 87	320	■
1	4220 88	400	■
1	4220 89	500	■
1	4220 90	630	■

■ Price available on request.

*MRP - Maximum Retail Price Inclusive of all taxes.



4220 65

Dimensions **p. 61**
 Electrical characteristics **p. 28-29**

Moulded case MCCBs for switching, control isolation and protection of low voltage electrical lines
 Can be fitted with auxiliaries (p. 38)
 Can be used with earth leakage modules (p. 57) or with residual current relays (p. 57)
 Supplied complete with:
 - connection plates for bars
 - terminal shields
 Conform to IEC 60947-2 - Sealable adjustment

Pack	Cat.Nos	MCCBs electronic release S2 - fixed version
		Adjustment of Ir, I _{sd} , tr, tsd Instantaneous protection I _f = 5 kA Green indicator lamp Connector for test unit Logic and dynamic selectivity 4P version: adjustment of neutral on front panel
		Breaking capacity I_{cu} 36 kA (400 V~)
	4P	In (A)
1	4220 62	320
1	4220 63	400
1	4220 64	500
1	4220 65	630
		Breaking capacity I_{cu} 50 kA (400 V~)
1	4220 72	320
1	4220 73	400
1	4220 74	500
1	4220 75	630
		Breaking capacity I_{cu} 70 kA (400 V~)
1	4220 82	320
1	4220 83	400
1	4220 84	500
1	4220 85	630
		Breaking capacity I_{cu} 100 kA (400 V~)
1	4220 92	320
1	4220 93	400
1	4220 94	500
1	4220 95	630

Pack	Cat.Nos	MCCBs electronic release S2 with energy metering central unit - fixed version	MRP* ₹ per Unit
		Adjustment of Ir, I _{sd} , tr, tsd Instantaneous protection I _f = 5 kA Green indicator lamp Connector for test unit Logic and dynamic selectivity 4P version: adjustment of neutral on front panel	
		Breaking capacity I_{cu} 36 kA (400 V~)	
	3P	In (A)	
1	4220 97	320	36648
1	4220 98	400	36648
1	4220 99	500	44442
1	4221 00	630	44442
		Breaking capacity I_{cu} 50 kA (400 V~)	
1	4221 07	320	41640
1	4221 08	400	41640
1	4221 09	500	48562
1	4221 10	630	48562
		Breaking capacity I_{cu} 70 kA (400 V~)	
1	4221 17	320	50804
1	4221 18	400	50804
1	4221 19	500	56740
1	4221 20	630	56740
		Breaking capacity I_{cu} 100 kA (400 V~)	
1	4221 27	320	■
1	4221 28	400	■
1	4221 29	500	■
1	4221 30	630	■

■ Price available on request.
 *MRP - Maximum Retail Price Inclusive of all taxes.

DPX³ 630

S2 electronic release MCCBs from 250 to 630 A (continued)



4221 38

Dimensions **p. 61**
 Electrical characteristics **p. 28-29**

Moulded case MCCBs for switching, control isolation and protection of low voltage electrical lines

Can be fitted with auxiliaries (p. 38)

Can be used with earth leakage modules (p. 57) or with residual current relays (p. 57)

Supplied complete with:

- connection plates for bars

- terminal shields

Conform to IEC 60947-2 - Sealable adjustment

Pack	Cat.Nos	MCCBs electronic release S2 with energy metering central unit - fixed version	MRP* ₹ per Unit	Pack	Cat.Nos	MCCBs electronic release Sg - fixed version	MRP* ₹ per Unit
		Adjustment of Ir, I _{sd} , tr, tsd Instantaneous protection I _f = 5 kA Green indicator lamp Connector for test unit Logic and dynamic selectivity 4P version: adjustment of neutral on front panel				Adjustment of Ir, I _{sd} , I _g , tr, tsd, tg Instantaneous protection I _f = 5 kA Green indicator lamp Connector for test unit Logic and dynamic selectivity 4P version: adjustment of neutral on front panel	
		Breaking capacity I_{cu} 36 kA (400 V~)				Breaking capacity I_{cu} 36 kA (400 V~)	
	4P	In (A)			3P	In (A)	
1	4221 02	320	49648	1	4221 37	320	40320
1	4221 03	400	49648	1	4221 38	400	40320
1	4221 04	500	55442	1	4221 39	500	43446
1	4221 05	630	55442	1	4221 40	630	43446
		Breaking capacity I_{cu} 50 kA (400 V~)				Breaking capacity I_{cu} 50 kA (400 V~)	
1	4221 12	320	52640	1	4221 47	320	41888
1	4221 13	400	52640	1	4221 48	400	41888
1	4221 14	500	59562	1	4221 49	500	47274
1	4221 15	630	59562	1	4221 50	630	47274
		Breaking capacity I_{cu} 70 kA (400 V~)				Breaking capacity I_{cu} 70 kA (400 V~)	
1	4221 22	320	52244	1	4221 57	320	49002
1	4221 23	400	52244	1	4221 58	400	49002
1	4221 24	500	55352	1	4221 59	500	56096
1	4221 25	630	55352	1	4221 60	630	56096
		Breaking capacity I_{cu} 100 kA (400 V~)				Breaking capacity I_{cu} 100 kA (400 V~)	
1	4221 32	320	■	1	4221 67	320	■
1	4221 33	400	■	1	4221 68	400	■
1	4221 34	500	■	1	4221 69	500	■
1	4221 35	630	■	1	4221 70	630	■

■ Price available on request.

*MRP - Maximum Retail Price Inclusive of all taxes.



4221 43

Dimensions **p. 61**
 Electrical characteristics **p. 28-29**

Moulded case MCCBs for switching, control isolation and protection of low voltage electrical lines
 Can be fitted with auxiliaries (p. 38)
 Can be used with earth leakage modules (p. 57) or with residual current relays (p. 57)
 Supplied complete with:
 - connection plates for bars
 - terminal shields
 Conform to IEC 60947-2 - Sealable adjustment

Pack	Cat.Nos	MCCBs electronic release Sg - fixed version
		Adjustment of Ir, Isd, Ig, tr, tsd, tg Instantaneous protection If = 5 kA Green indicator lamp Connector for test unit Logic and dynamic selectivity 4P version: adjustment of neutral on front panel
		Breaking capacity Icu 36 kA (400 V~)
	4P	In (A)
1	4221 42	320
1	4221 43	400
1	4221 44	500
1	4221 45	630
		Breaking capacity Icu 50 kA (400 V~)
1	4221 52	320
1	4221 53	400
1	4221 54	500
1	4221 55	630
		Breaking capacity Icu 70 kA (400 V~)
1	4221 62	320
1	4221 63	400
1	4221 64	500
1	4221 65	630
		Breaking capacity Icu 100 kA (400 V~)
1	4221 72	320
1	4221 73	400
1	4221 74	500
1	4221 75	630

Pack	Cat.Nos	MCCBs electronic release Sg with energy metering central unit - fixed version	MRP* ₹ per Unit
		Adjustment of Ir, Isd, Ig, tr, tsd, tg Instantaneous protection If = 5 kA Green indicator lamp Connector for test unit Logic and dynamic selectivity 4P version: adjustment of neutral on front panel	
		Breaking capacity Icu 36 kA (400 V~)	
	3P	In (A)	
1	4221 77	320	53320
1	4221 78	400	53320
1	4221 79	500	56446
1	4221 80	630	56446
		Breaking capacity Icu 50 kA (400 V~)	
1	4221 87	320	55888
1	4221 88	400	55888
1	4221 89	500	61274
1	4221 90	630	61274
		Breaking capacity Icu 70 kA (400 V~)	
1	4221 97	320	63002
1	4221 98	400	63002
1	4221 99	500	70096
1	4222 00	630	70096
		Breaking capacity Icu 100 kA (400 V~)	
1	4222 07	320	■
1	4222 08	400	■
1	4222 09	500	■
1	4222 10	630	■

■ Price available on request.
 *MRP - Maximum Retail Price Inclusive of all taxes.

DPX³ 630 - Sg electronic release

MCCBs from 250 to 630 A (continued)



DPX³ 630

earth leakage modules



4221 85

Dimensions **p. 61**
Electrical characteristics **p. 28-29**

Moulded case MCCBs for switching, control isolation and protection of low voltage electrical lines
Can be fitted with auxiliaries (p. 38)
Can be used with earth leakage modules (p. 57) or with residual current relays (p. 57)
Supplied complete with:
- connection plates for bars
- terminal shields
Conform to IEC 60947-2 - Sealable adjustment

Pack	Cat.Nos	MCCBs electronic release Sg with energy metering central unit - fixed version	MRP* ₹ per Unit
		Adjustment of Ir, I _{sd} , I _g , t _r , t _{sd} , t _g Instantaneous protection I _f = 5 kA Green indicator lamp Connector for test unit Logic and dynamic selectivity 4P version: adjustment of neutral on front panel	
		Breaking capacity I_{cu} 36 kA (400 V~)	
	4P	In (A)	
1	4221 82	320	61146
1	4221 83	400	61146
1	4221 84	500	68838
1	4221 85	630	68838
		Breaking capacity I_{cu} 50 kA (400 V~)	
1	4221 92	320	64986
1	4221 93	400	64986
1	4221 94	500	75110
1	4221 95	630	75110
		Breaking capacity I_{cu} 70 kA (400 V~)	
1	4222 02	320	74726
1	4222 03	400	74726
1	4222 04	500	90330
1	4222 05	630	90330
		Breaking capacity I_{cu} 100 kA (400 V~)	
1	4222 12	320	■
1	4222 13	400	■
1	4222 14	500	■
1	4222 15	630	■

■ Price available on request.

*MRP - Maximum Retail Price Inclusive of all taxes.

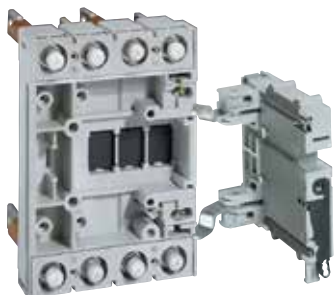


0260 63

Pack	Cat.Nos	Earth leakage modules	MRP* ₹ per Unit
		Can be fitted onto DPX ³ /DPX ³ -I 630 Adjustable, sealable sensitivity: 0.03 - 0.3 - 1 - 3 A Adjustable, time delay: 0 - 0.3 - 1 - 3 s Test push-button Reset push-button Remote earth fault signalling contact Switch for mechanical tests (installation insulation test) Mounted underneath 230-500 V~	
		Standard	
		3P	In (A)
1	0260 60	400	57142
1	0260 64	630	58346
		4P	Standard
1	0260 61	400	52816
1	0260 65	630	51874
		LED version	
		Monitors the isolation state of the installation via a series of LEDs	
1	0260 63	400	72432
1	0260 67	630	74946

DPX³ 630

equipment and accessories



4222 25



4222 32

Pack	Cat.Nos	Plug-in version
		A plug-in is a DPX ³ fitted with special terminals and mounted on a plug-in base
	N	Special terminals for plug-in/draw-out base
1	3P 4222 20	Set of incoming and outgoing terminals (6 terminals for 3P DPX ³ or 8 terminals for 4P DPX ³)
1	4P 4222 21	Set of incoming and outgoing terminals (6 terminals for 3P DPX ³ or 8 terminals for 4P DPX ³)
	3P	Bases for DPX³ only
		Accept DPX ³ /DPX ³ -I fitted with special terminals
1	4222 22	Front terminal mounting base
1	4222 24	Flat rear terminal mounting base
	4P	
1	4222 23	Front terminal mounting base
1	4222 25	Flat rear terminal mounting base
	4P	Bases for DPX³ with earth leakage module
1	4222 26	Front terminal mounting base
1	4222 27	Flat rear terminal mounting base
		Fixing plate for signalling contacts
1	4222 37	For fixing the signalling contact Cat.No 0 265 74 on a DPX ³ plug-in version
		Accessories
1	4222 28	Set of 2 extractor handle
1	4222 29	Set of connectors (24-pin)

■ Price available on request.

*MRP - Maximum Retail Price Inclusive of all taxes.

MRP* ₹ per Unit	Pack	Cat.Nos	Draw-out version	MRP* ₹ per Unit
			A DPX ³ draw-out version is a plug-in DPX ³ fitted with a "Debro-lift" mechanism which can be used to withdraw the DPX ³ while keeping it on its base	
			"Debro-lift" mechanism	
		N	Supplied with a rigid slide and handle for drawing-out	
		3P		
	1	4222 31	For DPX ³ base only	■
		4P		
	1	4222 32	For DPX ³ base only	■
	1	4222 33	For DPX ³ base with earth leakage module	■
			Key-lock for "Debro-lift" mechanism	
			Enable locking of DPX ³ in drawn-out position	
			Flat key	
			Star key	
	1	Flat key 0265 76	One key for DPX ³ only	■
	1	0265 78	Two keys (one key supplied) for motorised DPX ³ or with rotary handle	■
			Star key	
	1	Star key 0263 48	One key for DPX ³ only	■
	1	0265 77	Two keys (one key supplied) for motorised DPX ³ or with rotary handle	■
			Accessories for "Debro-lift" mechanism	
	1	0265 75	Handle for drawing-out	■
	1	0265 74	Signalling contact (plugged-in/drawn-out)	■
			Fixing plate for signalling contacts	
	1	N	For fixing the signalling contact	■
		4222 36	Cat.No 0265 74 on a DPX ³ draw-out version	
			Blocks of auxiliary contacts	
	1	4222 30	Block of 6 automatic auxiliary contacts for DPX ³ draw-out version (up to 2 blocks by DPX ³)	■
			Supply inverter type	
			Factory assembled	
			A supply inverter type is composed of one plate with interlock for 2 devices	
	1	0264 09	Plate for MCCB or trip-free switch fixed version	6760
	1	0264 04	Plate for MCCB or trip-free switch plug-in and draw-out version	13116

DPX³ 630

equipment and accessories (continued)



0261 40



0262 50



0262 51



0262 48

Pack	Cat.Nos	Rotary handles	MRP* ₹ per Unit	Pack	Cat.Nos	Accessories	MRP* ₹ per Unit
1	0262 41	Direct on DPX³ Standard (grey)	2144	1	0262 30	Insulated shields Set of 3	142
1	0262 81	Vari-depth handle IP 55 Comprising: connection rod, bracket, self-adhesive drilling template, mounting accessories and door lock mechanism Standard (grey)	3688	1	0262 44 3P	Sealable terminal shields Set of 2	3940
1	0262 93	Locking accessories For vary-depth handle	10630	1	0262 45 4P	Sealable terminal shields Set of 2	3904
1	0262 94	Key barrel and flat key	8268	1	0262 40	Padlock For locking in "OPEN" position	1328
1	0261 40	Motor-driven handles Front operated 24 V~ / =	33682	1	0262 46	Adaptor for lug For connecting bare cables with wide lugs Set of 4 adaptors + insulated shields	5734
1	0261 41	48 V~ / =	33682	1	0262 47	Extended front terminals Set of 4	8282
1	0261 44	230 V~	33682	1	N 6250 04 3P	Spreaders Set of incoming or outgoing spreaders	2060
1	0261 59	Accessories Lock and flat key	10630	1	6250 08 4P	Set of incoming or outgoing spreaders	2798
1	0261 58	Lock and star key	11584	1	N 0263 50 3P	Rear terminals Used to convert the fixed version with front terminals to the fixed version with rear terminals Set of incoming or outgoing swivel terminals	22936
				1	0263 52 4P	Set of incoming or outgoing flat terminals	27454
				1	0263 51	Set of incoming or outgoing swivel terminals	30350
				1	0263 53	Set of incoming or outgoing flat terminals	34500
				1	N 4222 34 3P	IP 20 terminal covers Set of 2 terminal covers	800
				1	4222 35 4P	Set of 2 terminal covers	1200

*MRP - Maximum Retail Price Inclusive of all taxes.



4222 78



4222 83

Dimensions **p.62**
 Electrical characteristics **p. 28-29**

Moulded case MCCBs for switching, control isolation and protection of low voltage electrical lines
 Can be fitted with auxiliaries (p. 38)
 Can be used with residual current relays (p. 57)
 Supplied complete with:
 - connection plates for bars
 - terminal shields
 Conform to IEC 60947-2 - Sealable adjustment

Pack	Cat.Nos	MCCBs thermal magnetic release fixed version
		Thermal adjustable from 0.8 to 1 In Magnetic adjustable from 5 to 10 In
		Breaking capacity Icu 36 kA (400 V~)
	3P	In (A)
1	4222 52	800
1	4222 53	1000
1	4222 54	1250
		Breaking capacity Icu 50 kA (400 V~)
1	4222 64	800
1	4222 65	1000
1	4222 66	1250
		Breaking capacity Icu 70 kA (400 V~)
1	4222 76	800
1	4222 77	1000
1	4222 78	1250
		Breaking capacity Icu 100 kA (400 V~)
1	4222 88	800
1	4222 89	1000
1	4222 90	1250

MRP* ₹ per Unit	Pack	Cat.Nos	MCCBs thermal magnetic release fixed version	MRP* ₹ per Unit
			Thermal adjustable from 0.8 to 1 In Magnetic adjustable from 5 to 10 In	
			Breaking capacity Icu 36 kA (400 V~)	
		4P	In (A)	
48000	1	4222 57	800	56000
58000	1	4222 58	1000	69000
78000	1	4222 59	1250	83000
			Breaking capacity Icu 50 kA (400 V~)	
50632	1	4222 69	800	63740
70926	1	4222 70	1000	100420
98128	1	4222 71	1250	109964
			Breaking capacity Icu 70 kA (400 V~)	
64830	1	4222 81	800	80264
98172	1	4222 82	1000	139000
104596	1	4222 83	1250	160284
			Breaking capacity Icu 100 kA (400 V~)	
■	1	4222 93	800	■
■	1	4222 94	1000	■
■	1	4222 95	1250	■

■ Price available on request.
 *MRP - Maximum Retail Price Inclusive of all taxes.

DPX³ 1600

S2 electronic release MCCBs from 630 to 1600 A



4223 27



4223 33

Dimensions **p. 62**
 Electrical characteristics **p. 28-29**

Moulded case MCCBs for switching, control isolation and protection of low voltage electrical lines

Can be fitted with auxiliaries (p. 38)

Can be used with residual current relays (p. 57)

Supplied complete with:

- connection plates for bars
- terminal shields

Conform to IEC 60947-2 - Sealable adjustment

Pack	Cat.Nos	MCCBs electronic release S2 fixed version
		Adjustment of Ir, I _{sd} , tr, tsd Instantaneous protection I _f = 20 kA Green indicator lamp Connector for test unit Logic and dynamic selectivity 4P version: adjustment of neutral on front panel
		Breaking capacity I_{cu} 36 kA (400 V~)
	3P	In (A)
1	4223 00	800
1	4223 01	1000
1	4223 02	1250
1	4223 03	1600
		Breaking capacity I_{cu} 50 kA (400 V~)
1	4223 12	800
1	4223 13	1000
1	4223 14	1250
1	4223 15	1600
		Breaking capacity I_{cu} 70 kA (400 V~)
1	4223 24	800
1	4223 25	1000
1	4223 26	1250
1	4223 27	1600
		Breaking capacity I_{cu} 100 kA (400 V~)
1	4223 36	800
1	4223 37	1000
1	4223 38	1250

Pack	Cat.Nos	MCCBs electronic release S2 fixed version	MRP* ₹ per Unit
		Adjustment of Ir, I _{sd} , tr, tsd Instantaneous protection I _f = 20 kA Green indicator lamp Connector for test unit Logic and dynamic selectivity 4P version: adjustment of neutral on front panel	
		Breaking capacity I_{cu} 36 kA (400 V~)	
	4P	In (A)	
1	4223 06	800	53600
1	4223 07	1000	81300
1	4223 08	1250	98000
1	4223 09	1600	108900
		Breaking capacity I_{cu} 50 kA (400 V~)	
1	4223 18	800	61400
1	4223 19	1000	80000
1	4223 20	1250	98000
1	4223 21	1600	124000
		Breaking capacity I_{cu} 70 kA (400 V~)	
1	4223 30	800	72000
1	4223 31	1000	100900
1	4223 32	1250	122000
1	4223 33	1600	164000
		Breaking capacity I_{cu} 100 kA (400 V~)	
1	4223 42	800	■
1	4223 43	1000	■
1	4223 44	1250	■

■ Price available on request.

*MRP - Maximum Retail Price Inclusive of all taxes.



4223 51



4223 54

Dimensions **p. 62**
 Electrical characteristics **p. 28-29**

Moulded case MCCBs for switching, control isolation and protection of low voltage electrical lines
 Can be fitted with auxiliaries (p. 38)
 Can be used with residual current relays (p. 57)
 Supplied complete with:
 - connection plates for bars
 - terminal shields
 Conform to IEC 60947-2 - Sealable adjustment

Pack	Cat.Nos	MCCBs electronic release S2 with energy metering central unit fixed version
		Adjustment of Ir, I _{sd} , tr, tsd Instantaneous protection I _f = 20 kA Green indicator lamp Connector for test unit Logic and dynamic selectivity 4P version: adjustment of neutral on front panel
		Breaking capacity I_{cu} 36 kA (400 V~)
	3P	In (A)
1	4223 48	800
1	4223 49	1000
1	4223 50	1250
1	4223 51	1600
		Breaking capacity I_{cu} 50 kA (400 V~)
1	4223 60	800
1	4223 61	1000
1	4223 62	1250
1	4223 63	1600
		Breaking capacity I_{cu} 70 kA (400 V~)
1	4223 72	800
1	4223 73	1000
1	4223 74	1250
1	4223 75	1600
		Breaking capacity I_{cu} 100 kA (400 V~)
1	4223 84	800
1	4223 85	1000
1	4223 86	1250

Pack	Cat.Nos	MCCBs electronic release S2 with energy metering central unit fixed version	MRP* ₹ per Unit
		Adjustment of Ir, I _{sd} , tr, tsd Instantaneous protection I _f = 20 kA Green indicator lamp Connector for test unit Logic and dynamic selectivity 4P version: adjustment of neutral on front panel	
		Breaking capacity I_{cu} 36 kA (400 V~)	
	4P	In (A)	
1	4223 54	800	77000
1	4223 55	1000	135000
1	4223 56	1250	153000
1	4223 57	1600	169000
		Breaking capacity I_{cu} 50 kA (400 V~)	
1	4223 66	800	89300
1	4223 67	1000	129000
1	4223 68	1250	161266
1	4223 69	1600	185500
		Breaking capacity I_{cu} 70 kA (400 V~)	
1	4223 78	800	103000
1	4223 79	1000	155000
1	4223 80	1250	179000
1	4223 81	1600	221000
		Breaking capacity I_{cu} 100 kA (400 V~)	
1	4223 90	800	■
1	4223 91	1000	■
1	4223 92	1250	■

■ Price available on request.
 *MRP - Maximum Retail Price Inclusive of all taxes.

DPX³ 1600

Sg electronic release MCCBs from 630 to 1600 A



4224 23



4224 29

Dimensions **p. 62**
 Electrical characteristics **p. 28-29**

Moulded case MCCBs for switching, control isolation and protection of low voltage electrical lines
 Can be fitted with auxiliaries (p. 38)
 Can be used with residual current relays (p. 57)
 Supplied complete with:
 - connection plates for bars
 - terminal shields
 Conform to IEC 60947-2 - Sealable adjustment

Pack	Cat.Nos	MCCBs electronic release Sg fixed version
		Adjustment of I _r , I _s d, I _g , t _r , t _s d, t _g Instantaneous protection I _f = 20 kA Green indicator lamp Connector for test unit Logic and dynamic selectivity 4P version: adjustment of neutral on front panel
		Breaking capacity I_{cu} 36 kA (400 V~)
	3P	In (A)
1	4223 96	800
1	4223 97	1000
1	4223 98	1250
1	4223 99	1600
		Breaking capacity I_{cu} 50 kA (400 V~)
1	4224 08	800
1	4224 09	1000
1	4224 10	1250
1	4224 11	1600
		Breaking capacity I_{cu} 70 kA (400 V~)
1	4224 20	800
1	4224 21	1000
1	4224 22	1250
1	4224 23	1600
		Breaking capacity I_{cu} 100 kA (400 V~)
1	4224 32	800
1	4224 33	1000
1	4224 34	1250

MRP* ₹ per Unit	Pack	Cat.Nos	MCCBs electronic release Sg fixed version	MRP* ₹ per Unit
			Adjustment of I _r , I _s d, I _g , t _r , t _s d, t _g Instantaneous protection I _f = 20 kA Green indicator lamp Connector for test unit Logic and dynamic selectivity 4P version: adjustment of neutral on front panel	
			Breaking capacity I_{cu} 36 kA (400 V~)	
		4P	In (A)	
78560	1	4224 02	800	94000
104500	1	4224 03	1000	142000
114600	1	4224 04	1250	160000
122300	1	4224 05	1600	188000
			Breaking capacity I_{cu} 50 kA (400 V~)	
69536	1	4224 14	800	90000
88960	1	4224 15	1000	140000
132000	1	4224 16	1250	174000
158000	1	4224 17	1600	204500
			Breaking capacity I_{cu} 70 kA (400 V~)	
77792	1	4224 26	800	104500
130000	1	4224 27	1000	176420
151300	1	4224 28	1250	204230
204300	1	4224 29	1600	240760
			Breaking capacity I_{cu} 100 kA (400 V~)	
■	1	4224 38	800	■
■	1	4224 39	1000	■
■	1	4224 40	1250	■

■ Price available on request.
 *MRP - Maximum Retail Price Inclusive of all taxes.



4224 47



4224 65

Dimensions **p. 62**
 Electrical characteristics **p. 28-29**

Moulded case MCCBs for switching, control isolation and protection of low voltage electrical lines
 Can be fitted with auxiliaries (p. 38)
 Can be used with residual current relays (p. 57)
 Supplied complete with:
 - connection plates for bars
 - terminal shields
 Conform to IEC 60947-2 - Sealable adjustment

Pack	Cat.Nos	MCCBs electronic release Sg with energy metering central unit fixed version
		Adjustment of Ir, Isd, Ig, tr, tsd, tg Instantaneous protection If = 20 kA Green indicator lamp Connector for test unit Logic and dynamic selectivity 4P version: adjustment of neutral on front panel
		Breaking capacity Icu 36 kA (400 V~)
	3P	In (A)
1	4224 44	800
1	4224 45	1000
1	4224 46	1250
1	4224 47	1600
		Breaking capacity Icu 50 kA (400 V~)
1	4224 56	800
1	4224 57	1000
1	4224 58	1250
1	4224 59	1600
		Breaking capacity Icu 70 kA (400 V~)
1	4224 68	800
1	4224 69	1000
1	4224 70	1250
1	4224 71	1600
		Breaking capacity Icu 100 kA (400 V~)
1	4224 80	800
1	4224 81	1000
1	4224 82	1250

Pack	Cat.Nos	MCCBs electronic release Sg with energy metering central unit fixed version	MRP* ₹ per Unit
		Adjustment of Ir, Isd, Ig, tr, tsd, tg Instantaneous protection If = 20 kA Green indicator lamp Connector for test unit Logic and dynamic selectivity 4P version: adjustment of neutral on front panel	
		Breaking capacity Icu 36 kA (400 V~)	
	4P	In (A)	
1	4224 50	800	93560
1	4224 51	1000	119500
1	4224 52	1250	129600
1	4224 53	1600	137300
		Breaking capacity Icu 50 kA (400 V~)	
1	4224 62	800	84536
1	4224 63	1000	100960
1	4224 64	1250	144000
1	4224 65	1600	170000
		Breaking capacity Icu 70 kA (400 V~)	
1	4224 74	800	89792
1	4224 75	1000	142000
1	4224 76	1250	163300
1	4224 77	1600	216300
		Breaking capacity Icu 100 kA (400 V~)	
1	4224 86	800	■
1	4224 87	1000	■
1	4224 88	1250	■

■ Price available on request.
 *MRP - Maximum Retail Price Inclusive of all taxes.

DPX³ 1600

equipment and accessories



4225 88 + 4225 93

Pack	Cat.Nos	Draw-out version
		A DPX ³ draw-out version is a DPX ³ fitted with draw-out base and a "Debro-lift" mechanism which can be used to withdraw the DPX ³ while keeping it on its base
		Draw-out base
		For DPX ³ 1600 already equipped with "Debro-lift" mechanism
		Cat.No 4225 93 or 4225 94
		Front terminals
		Rear terminals
1	4225 86	3P
1	4225 88	4P
1	4225 87	Front terminals
1	4225 89	Rear terminals
		3P
1	4225 93	"Debro-lift" mechanism
		For DPX ³ 1600
		Used to transform a fixed version circuit breaker into the movable part of a withdrawable circuit breaker
		4P
1	4225 94	For DPX ³ 1600
		Used to transform a fixed version circuit breaker into the movable part of a withdrawable circuit breaker
1	4225 95	Fixing plate for signalling contacts
		For fixing the signalling contact
		Cat.No 0265 74 on a DPX ³ draw-out version
		Key-lock for "Debro-lift" mechanism
		Enable locking of DPX ³ in drawn-out position
		Flat key
		Star key
1	0265 76	One key for DPX ³ only
1	0265 80	Two key (one key supplied) for motorised DPX ³ or with rotary handle
		Star key
1	0263 48	One key for DPX ³ only
1	0265 79	Two key (one key supplied) for motorised DPX ³ or with rotary handle
		Accessories for "Debro-lift" mechanism
1	0265 75	Handle for drawing-out
1	0265 74	Signalling contact (plugged-in/drawn-out)
		Block of auxiliary contacts
1	4222 30	Block of 6 automatic auxiliary contacts for DPX ³ draw-out version (up to 2 blocks by DPX ³)

MRP* ₹ per Unit	Pack	Cat.Nos	Supply inverter type	MRP* ₹ per Unit
	1	0264 10	A supply inverter type is composed of one plate with interlock for 2 devices	8546
	1	0264 05	Plate for MCCBs or trip-free switch fixed version	14186
			Plate for MCCBs or trip-free switch plug-in and draw-out version	
			Rotary handles	
			Direct on DPX³	
	1	0262 61	Standard (black)	2756
			Vari-depth handle IP 55	
			Comprising: connection rod, bracket, self-adhesive drilling template, mounting accessories and door lock mechanism	
	1	0262 83	Standard (black)	5234
			Locking accessories	
	1	0262 93	Key barrel and flat key	10630
	1	0262 94	Key barrel and star key	8268

■ Price available on request.

*MRP - Maximum Retail Price Inclusive of all taxes.



0262 60



0262 67 + 0262 68

Pack	Cat.Nos	Motor-driven handles	MRP* ₹ per Unit
1	0261 54	Factory assembled Front operated 230 V~	55378
1	0261 24	Customer assembled Front operated 24 V~/= for In ≤ 1250 A	64182
1	0261 25	48 V~/= for In ≤ 1250 A	55378
1	0261 26	110 V~/= for In ≤ 1250 A	55378
1	0261 23	230 V~/= for In ≤ 1250 A	55378
1	0261 19	24 V~/= for In = 1600 A	64854
1	0261 28	48 V~/= for In = 1600 A	55908
1	0261 29	110 V~/= for In = 1600 A	55908
1	0261 27	230 V~/= for In = 1600 A	55908
1	0261 59	Locking accessories Key and flat key	10630
1	0261 58	Key and star key	11584
Accessories			
Insulated shields			
1	0262 66	Used to isolate the connections between each pole Set of 3	272
Sealable terminal shields			
1	0262 64	Set of 2	6488
1	0262 65	Set of 2	6718
Padlock			
1	0262 60	For locking in "open" position	1536
Ex tended front terminals			
1	0262 67	Set of 4 Short terminals for 630 - 1250 A (2 bars max. per pole)	7876
1	0262 68	Long terminals for 1600 A (3 bars max. per pole)	14712
Spreaders			
1	0262 73	Set of incoming or outgoing spreaders	■
1	0262 74	Set of incoming or outgoing spreaders	■
Rear terminals			
Used to convert the fixed version with front terminals to the fixed version with rear terminals			
Set of incoming or outgoing rear terminals			
1	0263 80	Short terminals	35446
1	0263 81	Long terminals	79930
1	0263 82	Short terminals	45986
1	0263 83	Long terminals	105242
IP 20 terminal covers			
1	4225 90	Set of 2 terminal covers	1200
1	4225 91	Set of 2 terminal covers	1800
External neutral			
1	4225 92	External neutral	■



0261 93

Pack	Cat.Nos	Auxiliary contact or fault signal	MRP* ₹ per Unit
1	4210 11	For signalling the state of the contacts or opening of the MCCB on a fault For DPX ³ /DPX ³ -I Changeover switch 3 A - 240 V~	914
Releases			
Allow remote tripping of a DPX ³			
Shunt releases			
For DPX ³ and DPX ³ -I Shunt inrush power 300 VA			
1	4222 39	Coil voltage 24 V~/=	2184
1	4222 40	Coil voltage 48 V~/=	2184
1	4222 41	Coil voltage 110 V~/=	2184
1	4222 42	Coil voltage 230 V~/=	2184
1	4222 43	Coil voltage 400 V~/=	2184
Undervoltage releases			
For DPX ³ and DPX ³ -I Shunt inrush power 300 VA			
1	4222 44	Coil voltage 24 V=	2582
1	4222 45	Coil voltage 24 V~	2582
1	4222 46	Coil voltage 48 V~/=	2582
1	4222 47	Coil voltage 110 V~/=	2582
1	4222 48	Coil voltage 230 V~/=	2582
1	4222 49	Coil voltage 400 V~/=	2582
Time-lag undervoltage releases (800 ms)			
Allow remote tripping of the MCCB Prevent false tripping in the event of power supply microbreaks. Require a time-lag module connected to the undervoltage release Cat.No 4226 23			
1	0261 90	Time-lag module 230 V~ 3 module	16218
1	0261 91	Time-lag module 400 V~ 3 module	18048
1	4226 23	Undervoltage release for DPX ³ 630 and 1600	16218
Automation control unit			
Can control supply inversion between two circuit breakers, manage generator start / stop, control single-phase, two-phase and three-phase networks, control phase-phase voltages For DPX, DPX ³ and DMX ³ circuit breakers Power supply: 230 V~ or 12/24/48 V= Plug-in terminals			
1	0261 93	Standard unit	63660
1	0261 94	Communicating unit, enabling data transmission (RS 485 port)	69450

■ Price available on request.
*MRP - Maximum Retail Price Inclusive of all taxes.

DPX³ 160, 250, 630 and 1600

power supervision system



0261 78

0261 56

Pack	Cat.Nos	Auxiliary power supply for DPX ³
1	4210 83	<p>For supplying DPX³ electronic units when the circuit breaker is open or when the current passing through it is insufficient</p> <p>Input voltage 24 V_~ / =</p> <p>2 modules</p> <p>Output 250 mA: can supply several circuit breakers</p> <p>Consumption:</p> <ul style="list-style-type: none"> - Thermal-magnetic DPX³ with residual current protection: 42 mA - Electronic DPX³: 30 mA - Electronic DPX³ with measurement: 54 mA - Electronic DPX³ with residual current protection: 54 mA - Electronic DPX³ with residual current protection and measurement: 54 mA
1	4210 75	<p>RS485 Modbus communication interface</p> <p>DPX³ electronic interface</p> <p>For connecting thermal-magnetic DPX³ with residual current protection and electronic DPX³ to an RS485 Modbus communication network</p> <p>All the information managed by the circuit breaker's electronic card will be shared on the Modbus network</p> <p>Dimension: 2 modules</p> <p>Power supply: 24 V_~ / =</p> <p>RS 485 link (2-wire)</p> <p>Address, speed and coding can be modified with configurator kit</p>
1	0035 67	<p>Modular power supply</p> <p>230 V_~ - 27 V₌ - 0.6 A</p> <p>2 modules</p>
		<p>Communication and supervision</p> <p>Web servers</p> <p>Enable remote viewing, via a web browser on PCs, smartphones, web viewers, tablet computers such as iPads, Archos, etc., of values collected on electricity meters and multi-function measuring units</p>
1	0261 78	For 32 metering points (meters or multi-function measuring units)
1	0261 79	For an unlimited number of metering points (meters or multi-function measuring units)
		<p>Legrand Software</p> <p>For displaying the values collected from electricity meters or multi-function measuring units on a PC connected to the network</p>
1	0261 88	For 32 metering points (supplied on CD)
1	0261 89	For an unlimited number of metering points (supplied on CD)
1	0261 56	<p>Panel board display</p> <p>Allows to chek information comming from different protection devices: DX³-HP, DPX³, DMX³ or EMDX³</p> <p>Can manage up to 8 devices</p> <p>Power supply: 18-30 V₌</p> <p>For mounting on door or solid faceplate</p> <p>Door cut: 96 x 96 mm</p>

MRP*
₹ per Unit

18000

Residual current relay and coils



0260 88

0260 98

0260 93 coil for use with relay

Add residual current protection to DPX trip-free switches and DPX MCCBs equipped with release

Pack	Cat.Nos	Residual current relay	MRP* ₹ per Unit
1	0260 88	<p>Detects fault currents, and, when used with a shunt trip or an undervoltage release, it gives the trip command to a MCCB or a switch</p> <ul style="list-style-type: none"> • Comprises: <ul style="list-style-type: none"> - a tinged, sealable window - an auxiliary contact - a green Led indicating energisation - 3 yellow Leds indicating respectively the max. phase earth insulation current: 20, 40 and 60 % - a red Led indicating <p>Fixed: exceeding of the insulation fault current value</p> <p>Flashing: breaking of one of the connections between coils and relays</p> <ul style="list-style-type: none"> • For use with coils: <ul style="list-style-type: none"> - Ø35 and 80 mm Adjustable sensitivity: 0.03, 0.05, 0.075, 0.1, 0.15, 0.2, 0.3, 0.5, 0.75, 1, 1.5, 2, 3, 5, 7.5, 10, 15, 20, 30 A - Ø110 to 210 mm Adjustable sensitivity: 0.3, 0.5, 0.75, 1, 1.5, 2, 3, 5, 7.5, 10, 15, 20, 30 A - Ø150 mm Adjustable sensitivity: 0.5, 0.75, 1, 1.5, 2, 3, 5, 7.5, 10, 15, 20, 30 A - Ø300 mm Adjustable sensitivity: 1, 1.5, 2, 3, 5, 7.5, 10, 15, 20, 30 A • Adjustable trip: 0, 0.15, 0.25, 0.5, 1, 2.5, 5 seconds • Supply voltage: 230/240 V - 50/60 Hz <p>Residual current relay to clip on module 2 rail</p>	15142
		<p>Coils</p> <p>For use with residual current relay</p> <p>Cat.No 0260 88</p> <p>1 coil per DPX</p>	
1	0260 92	Coil Ø35 mm	10188
1	0260 93	Coil Ø80 mm	12062
1	0260 94	Coil Ø110 mm	21468
1	0260 95	Coil Ø140 mm	24118
1	0260 96	Coil Ø210 mm	41142
1	0260 97	Coil Ø150 mm - open	57920
1	0260 98	Coil Ø300 mm - open	96148

■ Price available on request.
*MRP - Maximum Retail Price Inclusive of all taxes.

Residual current relay and coils



0261 37

Dimensions p. 57

Add earth leakage protection to DPX³/DPX trip-free switches and DPX³/DPX MCCBs equipped with release

Pack	Cat.Nos	Measurement and control of electric equipment
1/2	0261 35	<p>Central position Front operated Allows you to collect all information of a line Three phase (voltage phase / neutral and phase to phase, phase currents, active and reactive power total active power reactive power factor) Dimensions: 4 DIN modules Power supply: 24 V ~ / = RS 485 (2 wires)</p> <p>Microprocessor Interface Used to record information of a DPX microprocessor version S2 & Sg (identified currents Phase 1, 2 and 3, records of currents in neutral temperature (microprocessor card), rated current, DPX playback control) Size: 2 DIN modules Power supply: 24 V ~ / = RS 485 (2 wires) Address, speed and coding modified hardening with kitconfigurator</p> <p>Interface signaling and control Allows through 24 entries to meet the information of DPX and DPX³ / DMX³ (contact Auxiliary Position Open (1 entry) or position open and closed (2 entries), signal failure (1 entry)) and with 6 outputs to drive the circuit breakers (Controlling motor circuit breakers (2 outputs), controlling the triggers of breakers set for test (1 output)) Dimensions: 6 DIN modules Power supply: 24 V ~ / = RS 485 (2 wires) Address, speed and coding modified hardening with kit configurator</p> <p>Kit Configurator To configure the card input / output and DPX interface (jumper 0-9)</p> <p>Stabilized power Connects power communication devices 5 A/120 W Dimensions: 4 DIN modules</p>
1/3	0261 37	
1/2	0261 36	
1/4	0261 45	
1/20	0466 23	

■ Price available on request.
*MRP - Maximum Retail Price Inclusive of all taxes.

DPX³-I trip-free switches

160 to 1600 A



4202 99

Dimensions p. 57

Trip-free switches for on-load circuit breaking and isolation of low voltage electrical circuits

Can be associated to earth leakage modules or to corresponding DPX³ residual current relays

Mount on rail up to DPX³ 250 with plate Cat.No 4210 72 (DPX³-I 160) and Cat.No 4210 71 (DPX³ 250)

Conform to IEC 60947-3

Category of use AC 23 A

Connection identical to corresponding DPX³

MRP*
₹ per Unit



Pack	Cat.Nos	DPX ³ -I 160	MRP* ₹ per Unit
1	3P 4201 98 4P	In (A) 160	10428
1	4201 99	160	13090
1	4P with earth leakage module 4201 97	160	38460
1	3P 4202 99 4P	In (A) 250	22242
1	4203 00	250	26990
1	4P with earth leakage module 4202 98	250	66030
1	N 3P 4222 16	In (A) 400	34800
1	4222 17	630	39000
1	4P 4222 18	400	43800
1	4222 19	630	58000
1	N 3P 4224 90	In (A) 630	22200
1	4224 91	800	54000
1	4224 92	1250	64300
1	4224 93	1600	84000
1	4P 4224 94	630	32000
1	4224 95	800	68000
1	4224 96	1250	84000
1	4224 97	1600	118000



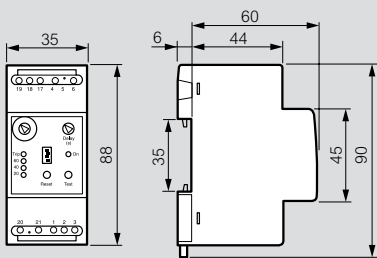
Residual current relay and coils

DPX³-I trip-free switches

160 to 1600 A

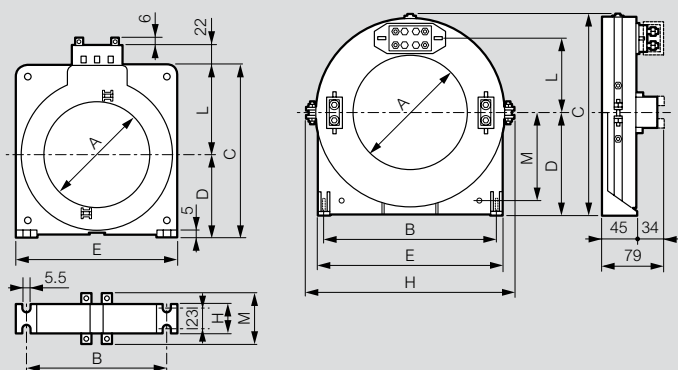
Residual current relay

Cat.No 0260 88



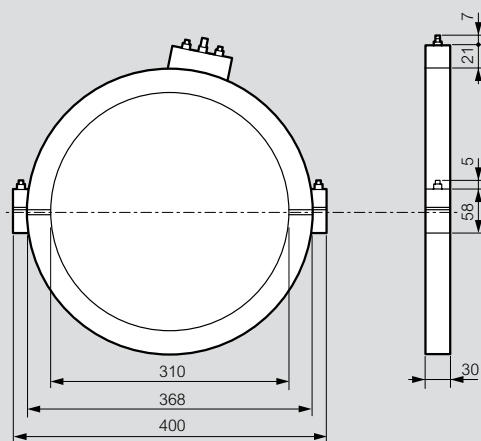
Coils

Cat.Nos 0260 92/93/94/95/96 Cat.No 0260 97



Cat.Nos	A	B	C	D	E	H	L	M
0260 92	35	75	85	42	92	36	43	56
0260 93	80	108	132	67	125	36	65	56
0260 94	110	148	170	86	165	36	84	56
0260 95	140	177	206	104	200	36	102	56
0260 96	210	270	295	150	290	44	145	64
0260 97	150	225	259	133	245	275	95	113

Cat.No 0260 98



Electrical characteristics

	DPX ³ -I 160	DPX ³ -I 250	DPX ³ -I 630	DPX ³ -I 1600
Rated operating voltage U _e (V)	50/60 Hz	690 ⁽¹⁾	690 ⁽¹⁾	690
	direct	250	250	250
Rated insulation voltage U _i (V _~)		800	800	690
Rated impulse withstand voltage U _{imp} (kV)		8	8	8
Rated closing capacity on 400 V short circuit I _{cm} (kA)		3	3	6.5 ⁽³⁾ / 13 ⁽⁴⁾
Short-time resistive current t = 1 s I _{cw} (kA)		1.7	1.7	4 ⁽⁵⁾ / 7.6 ⁽⁴⁾
Endurance (o.c. cycle)	mechanical	25000	25000	15000
	electrical	8000	8000	5000
Conventional thermal current (A)		160	250	630
Nominal current of use (A) AC 23 A (690 V _~)		160 (160 V)	250 (250 V)	630
DC 23 A (250 V _~)		160	160	630

1: 500 V for DPX³-I with earth leakage module

2: Up to 1250 A

3: I_n = 400 A

4: I_n = 630 A

5: I_n = 800 A

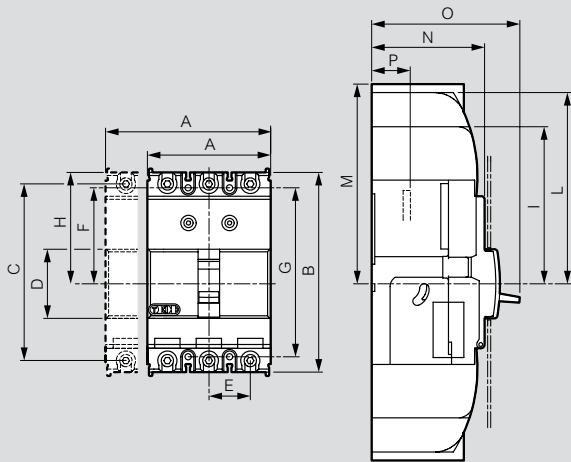
6: I_n = 1250 A

7: I_n = 1600 A

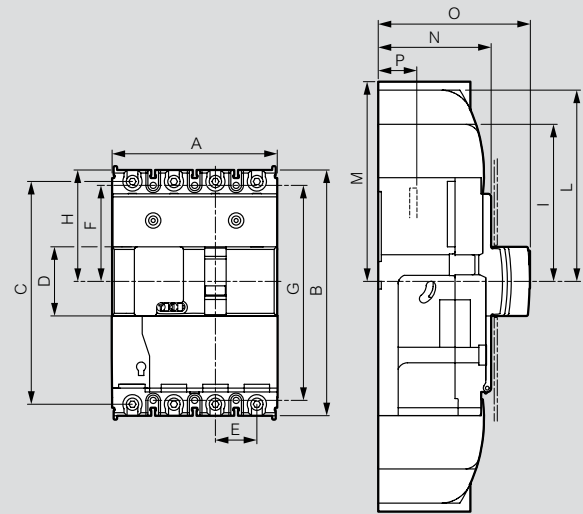
DPX³ 160 thermal magnetic

Dimensions

Fixed version

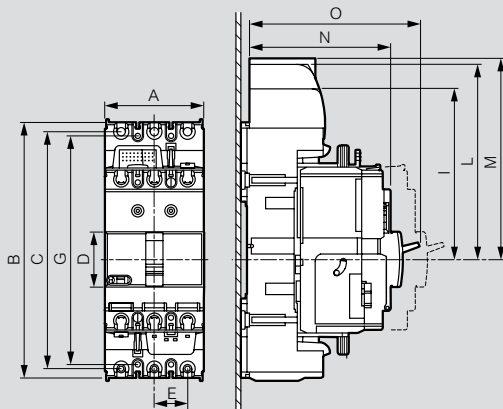


Fixed version with earth leakage module

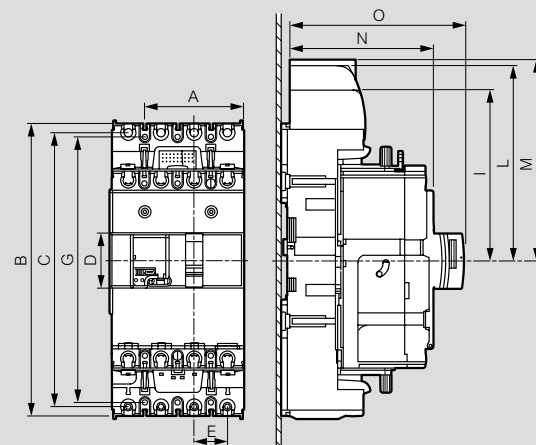


	A	B	C	D	E	F	G	H	I	L	M	N	O	P
3P	81	130	115	45	27	62,5	110	72,5	102,5	125	-	74	100	18
4P	108	130	115	45	27	62,5	110	72,5	102,5	125	-	74	100	18
e.l.c.bs	108	160	145	45	27	62,5	140	72,5	102,5	125	-	74	100	18

Plug-in version



Plug-in version with earth leakage module

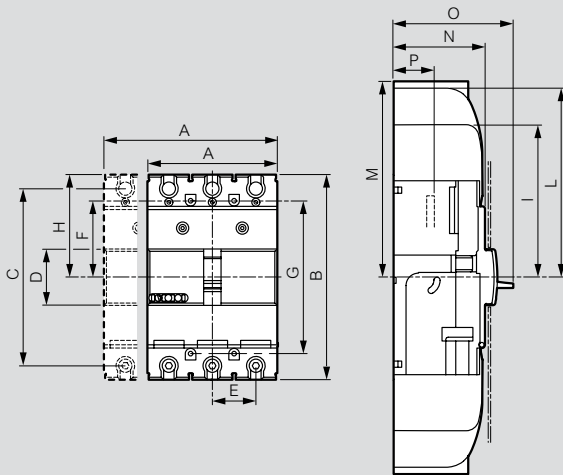


	A	B	C	D	E	F	G	H	I	L	M	N	O	P
3P	81	208	193	45	27	100,5	186	111,5	141,5	164	-	122	148	-
4P	108	238	223	45	27	100,5	216	111,5	141,5	164	-	122	148	-
e.l.c.bs	108	230	223	45	27	100,5	216	111,5	141,5	164	-	122	148	-

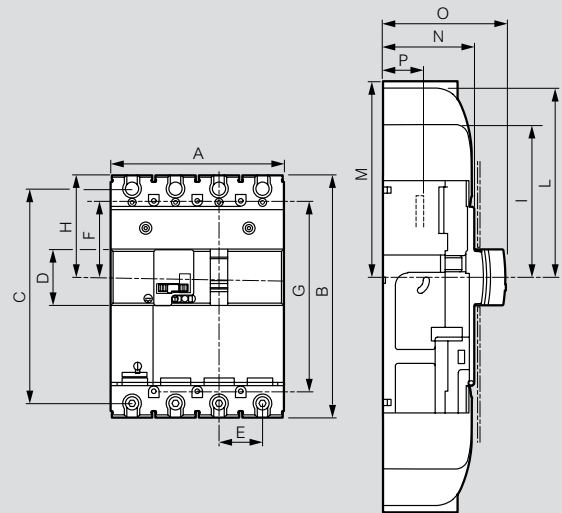
DPX³ 250 thermal magnetic and electronic release

Dimensions

Fixed version

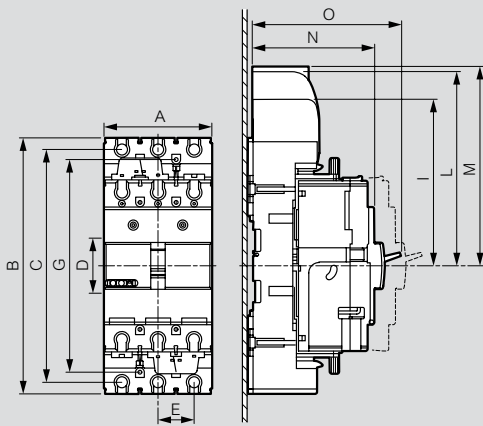


Fixed version with earth leakage module

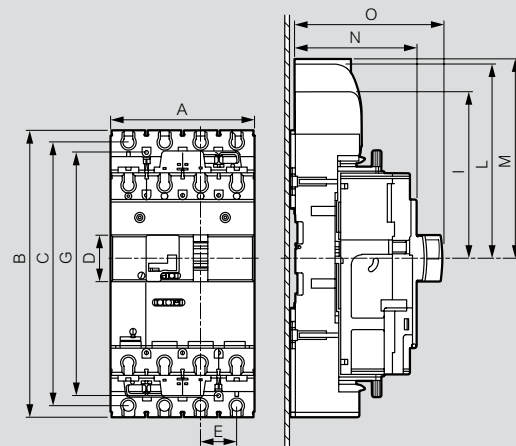


	A	B	C	D	E	F	G	H	I	L	M	N	O	P
3P	105	165	142,5	45	35	61,5	123	82,5	112,5	150	-	74	100	18
4P	140	165	142,5	45	35	61,5	123	82,5	112,5	150	-	74	100	18
e.l.c.bs	140	195	172,5	45	35	61,5	153	82,5	112,5	150	-	74	100	18

Plug-in version



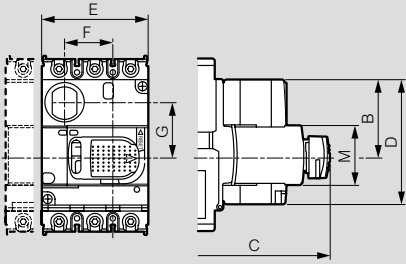
Plug-in version with earth leakage module



	A	B	C	D	E	F	G	H	I	L	M	N	P
3P	105	248	225,5	45	35	103	206	150	180	217,5	-	122	148
4P	140	278	225,5	45	35	103	236	150	180	217,5	-	122	148
e.l.c.bs	140	278	225,5	45	35	103	236	150	180	217,5	-	122	148

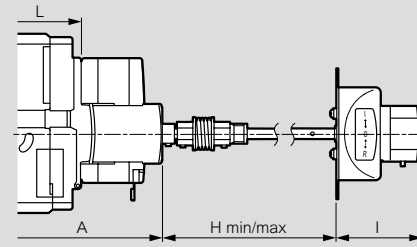
Dimensions

Direct rotary handles Cat.Nos 4210 00/01/02/03

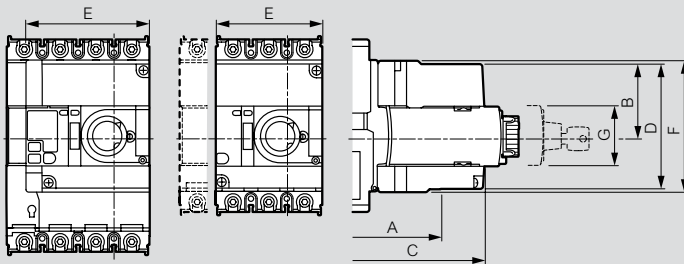


	A	B	C	D	E	F	G	H min	H max	I	L	M
160	122	57	155	94	80.5	36.5	41.7	132	361	62	74	45
160 with e.l.c.bs	122	57	155	94	93	36.5	41.7	132	361	62	74	45
250	122	57	155	94	80.5	40.5	41.7	132	361	62	74	45
250 with e.l.c.bs	122	57	155	94	93	40.5	41.7	132	361	62	74	45
250 electronic release	122	57	155	94	93	40.5	41.7	132	361	62	74	45
250 electronic release with e.l.c.bs	122	57	155	94	93	40.5	41.7	132	361	62	74	45

Vari-depth rotary handles Cat.Nos 4210 04/05

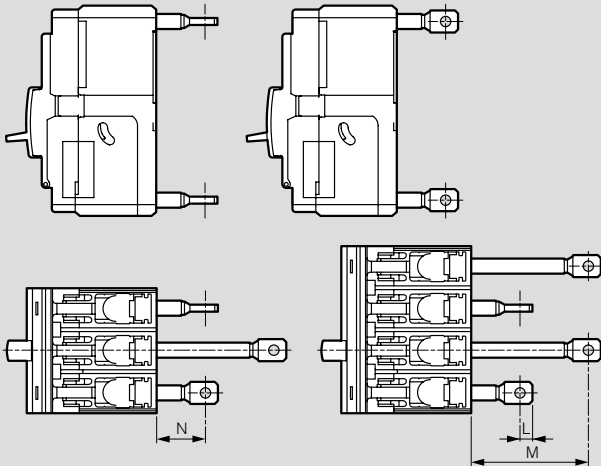


Front motor-driven handle Cat.No 4210 61

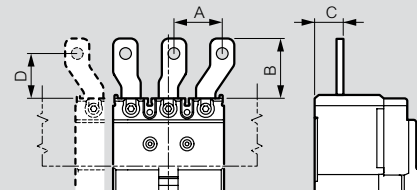


	A	B	C	D	E	F	G	H
160	125	54.5	154	94	80.5	99	45	74
160 with e.l.c.bs	125	54.5	154	94	93	99	45	74
250	125	54.5	154	94	80.5	99	45	74
250 with e.l.c.bs	125	54.5	154	94	93	99	45	74
250 electronic release	125	54.5	154	94	93	99	45	74
250 electronic release with e.l.c.bs	125	54.5	154	94	93	99	45	74

Rear terminals Cat.Nos 4210 36/37/38/39



Incoming spreaders Cat.Nos 4210 32/33/34/35

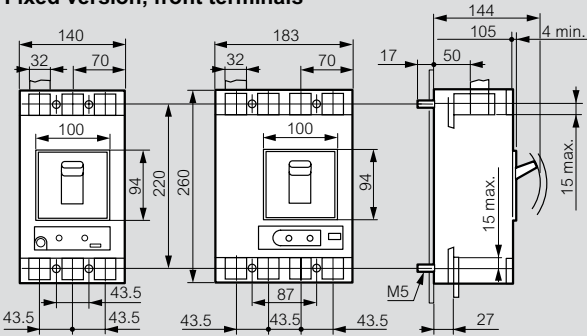


	A	B	C	D
160	35	41	23	33
160 with e.l.c.bs	35	41	23	33
250	48.5	55	23	39
250 with e.l.c.bs	48.5	55	23	39

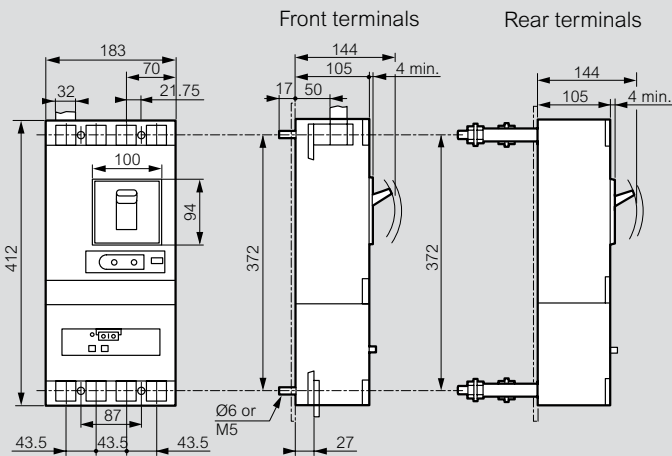
DPX³ 630

Dimensions

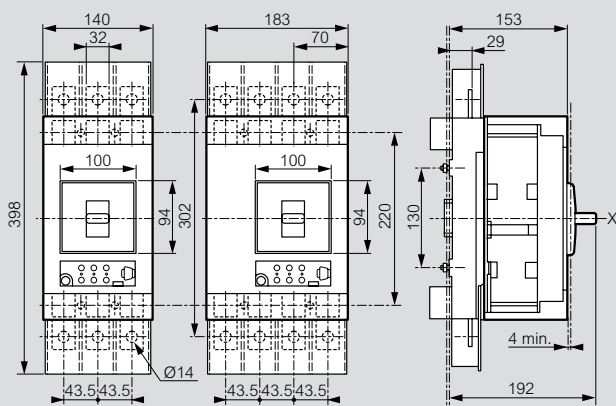
Fixed version, front terminals



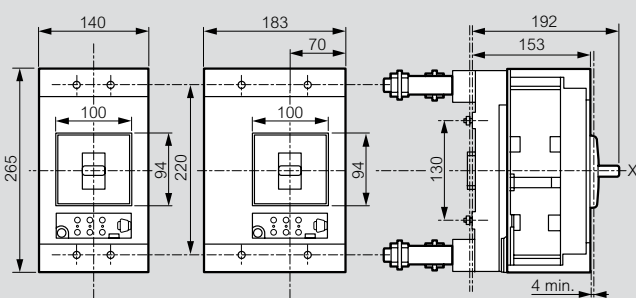
Fixed version with earth leakage module mounted underneath



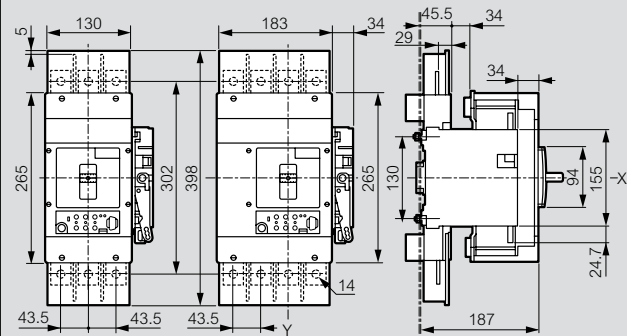
Plug-in version, front terminals



Plug-in version, rear terminals

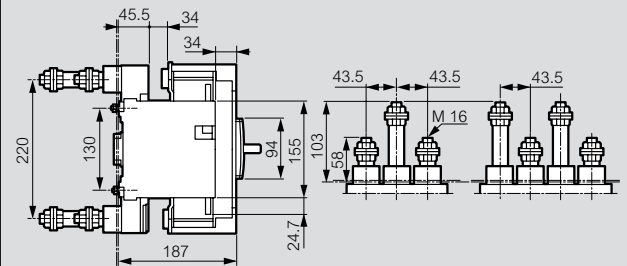


Draw-out version, front terminals

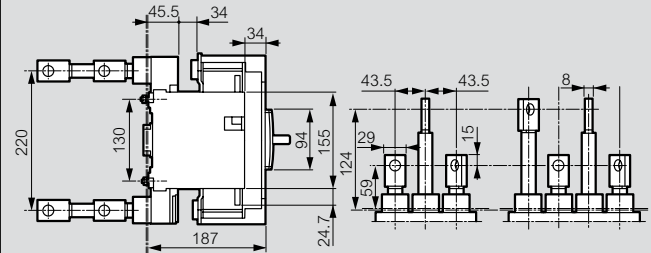


Draw-out version, rear terminals

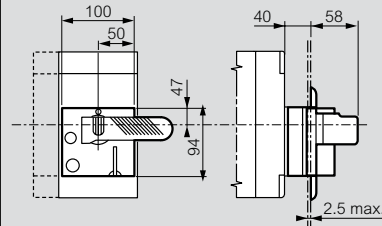
Rear terminal with threaded rod



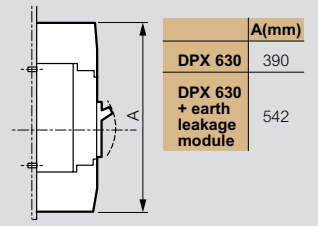
Flat rear terminal



Rotary handle-direct on DPX³



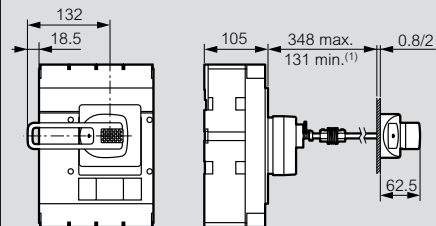
Terminal shields



	A(mm)
DPX 630	390
DPX 630 + earth leakage module	542

Rotary handle-vari-depth handle on door

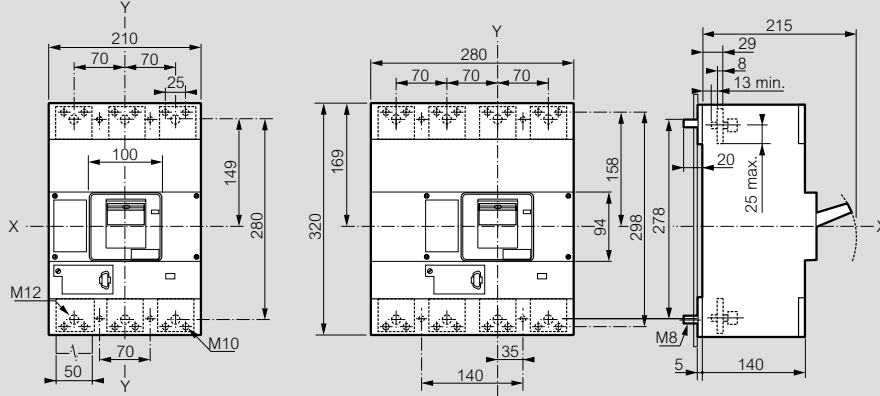
Mounting with flexible seal



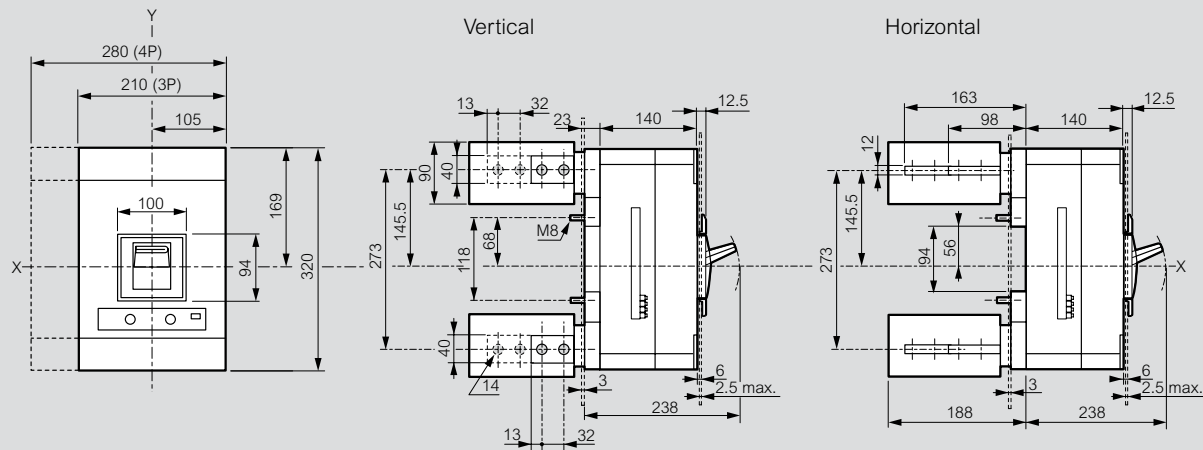
1: 75 mm without mechanical system

Dimensions

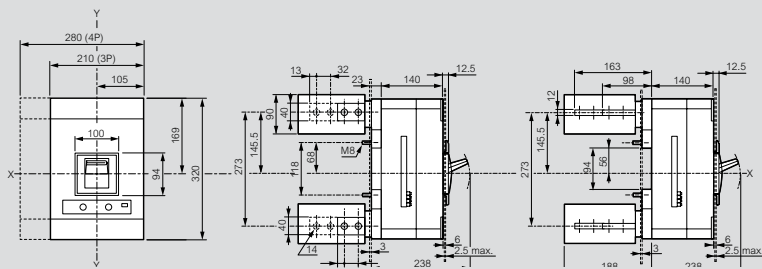
Fixed version, front terminals



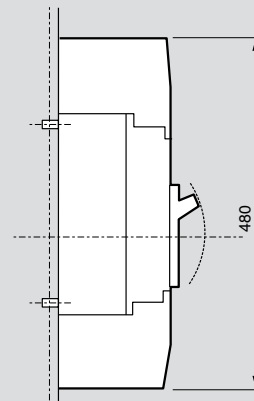
Fixed version, rear terminals



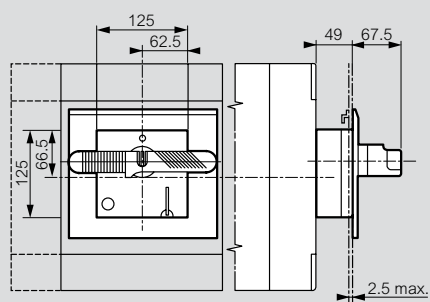
Draw-out version, rear terminals



Terminal shields

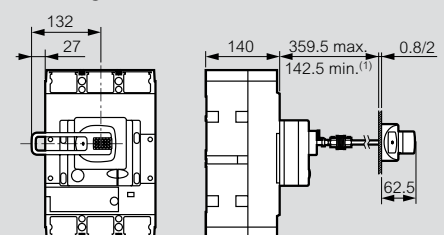


Rotary handle-direct on DPX³



Rotary handle-vari-depth handle on door

Mounting with flexible seal



1: 75 mm without mechanical system

DPX³ 160/250

Technical characteristics (at 40°)

MCCBs	DPX ³ 160 thermal magnetic				DPX ³ 160 with electronic earth leakage module				
	16 kA	25 kA	36 kA	50 kA	16 kA	25 kA	36 kA	50 kA	
Nominal current In (A)	16-25-40-63-80-100-125-160								
Rated insulation voltage (V)	50-60Hz				16-25-40-63-80-100-125-160				
Rated operational voltage (V)	50-60Hz				500				
	Continuous				500				
Rated impulse withstand current Uimp (kV)	8				8				
Category of use	A				A				
Ultimate breaking capacity (kA) in AC	220/240 V~	25	35	50	65	25	35	50	65
	380/415 V~	16	25	36	50	16	25	36	50
	440 V~	10	18	25	30	10	18	25	30
	480/500 V~	8	10	12	15	8	10	12	15
	690 V~	5	5	8	10	5	5	8	10
Ultimate breaking capacity (kA) in DC	125 V _{DC} ⁽¹⁾	32	50	60	80	32	50	60	80
	250 V _{DC} ⁽¹⁾	16	25	30	40	16	25	30	40
	400 V _{DC} ⁽²⁾	16	25	30	40	16	25	30	40
	500 V _{DC} ⁽²⁾	10	20	25	35	10	20	25	35
Standard breaking capacity Ics (% Icu)	100								
Short-circuit making capacity Icm (kA)	415 V~	32	52,5	75,6	105	32	52,5	75,6	105
Breaking capacity on 1 pole Isu (kA) For IT neutral earthing system	220/240 V~	6,25	8,75	12,5	16,3	6,25	8,75	12,5	16,3
	380/415 V~	4	6,25	9	12,5	4	6,25	9	12,5
	440 V~	2,5	4,5	6,25	7,5	2,5	4,5	6,25	7,5
	480/500 V~	2	2,5	3	3,75	2	2,5	3	3,75
	690 V~	1,25	1,25	2	2,5	1,25	1,25	2	2,5

MCCBs	DPX ³ 250 thermal magnetic				DPX ³ 250 electronic release				
	25 kA	36 kA	50 kA	70 kA	25 kA	36 kA	50 kA	70 kA	
Nominal current In (A)	100-160-200-250								
Rated insulation voltage (V)	50-60Hz				40-100-160-250				
	800 (with integrated e.l.c.bs: 500)				800 (with integrated e.l.c.bs: 600)				
Rated operational voltage (V)	50-60Hz				690 (with integrated e.l.c.bs: 500)				
	Continuous				500				
Rated impulse withstand current Uimp (kV)	8				8				
Category of use	A				A				
Ultimate breaking capacity (kA) in AC	220/240 V~	40	60	80	100	40	60	80	100
	380/415 V~	25	36	50	70	25	36	50	70
	440 V~	20	30	40	60	20	30	40	60
	480/500 V~	10	25	30	40	10	25	30	40
	690 V~	8	16	18	20	8	16	-	20
Ultimate breaking capacity (kA) in DC	125 V _{DC} ⁽¹⁾	50	72	80	90	50	72	80	90
	250 V _{DC} ⁽¹⁾	25	36	40	45	25	36	40	45
	400 V _{DC} ⁽²⁾	30	45	50	55	30	45	50	55
	500 V _{DC} ⁽²⁾	25	36	40	45	25	36	40	45
Standard breaking capacity Ics (% Icu)	100								
Breaking capacity on 1 pole Isu (kA) For IT neutral earthing system	220/240 V~	10	15	20	25	15	15	20	25
	380/415 V~	6,25	9	12,5	17,5	6,25	9	12,5	17,5
	440 V~	5	7,5	10	15	5	7,5	10	15
	480/500 V~	2,5	6,25	7,5	10	2,5	6,25	7,5	10
	690 V~	2	4	4,5	5	-	-	-	-

Temperature derating

DPX³ 160

In (A)	Temperature (°C)											
	-25	-20	-10	-5	0	10	20	30	40	50	60	70
16	23	22	21	21	20	19	18	17	16	15	15	14
25	37	35	34	33	32	30	28	26	25	23	22	21
40	55	54	52	51	50	47	43	42	40	38	36	34
63	88	87	84	83	81	76	69	66	63	60	57	55
80	115	113	111	109	107	97	87	84	80	78	75	72
100	135	133	130	123	115	108	100	100	100	95	90	85
125	160	158	155	153	150	138	125	125	125	118	112	105
160	224	221	214	210	205	192	176	168	160	152	145	139

DPX³ 250

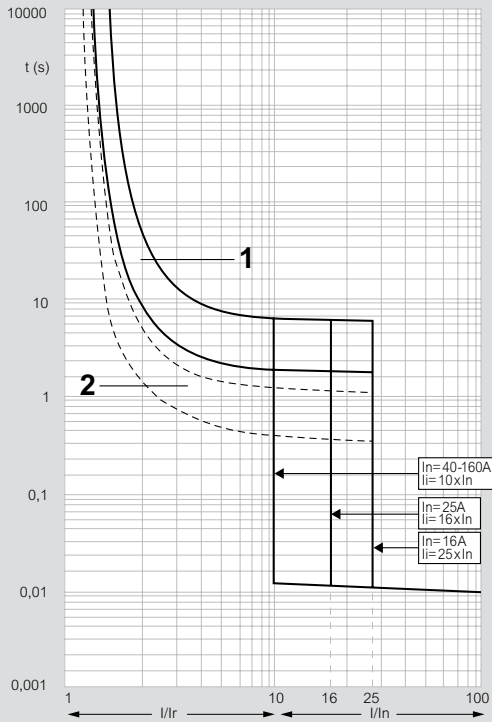
In (A)	Temperature (°C)											
	-25	-20	-10	-5	0	10	20	30	40	50	60	70
40	54	53	51	50	49	48	45	41	40	38	36	34
100	135	132	128	126	123	120	112	102	100	94	90	84
160	216	211	205	201	197	192	179	163	160	151	143	134
200	270	264	256	251	246	240	224	203	200	189	179	168
250	338	330	320	314	308	300	280	254	250	236	224	210

1: 2 poles in series
2: 3 poles in series

Derating at different altitudes

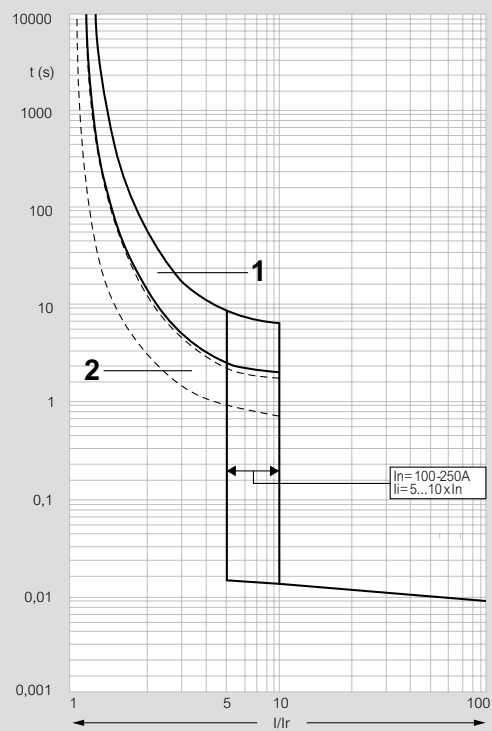
Altitude (m)	2000	3000	4000
Rated current (A)	1 x In	0,96 x In	0,93 x In
Rated voltage (V)	DPX ³ no e.l.c.bs	690	690
	DPX ³ with e.l.c.bs	500	500

DPX³ 160 thermal-magnetic Tripping curve



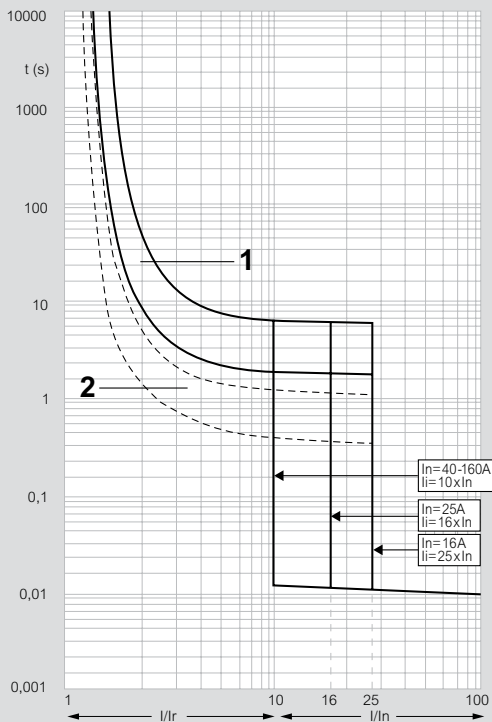
t: time
 I: rated current
 I_r: setting current
 Curve n°1: charateristic with cold start
 Curve n°2: charateristic with hot start

DPX³ 250 thermal-magnetic Tripping curves



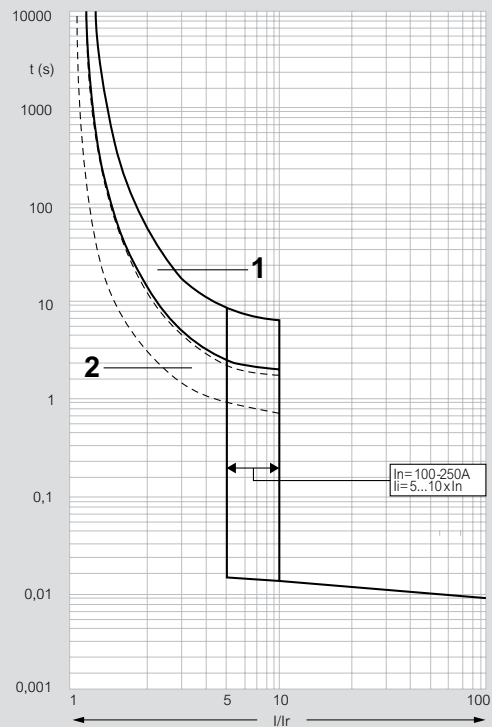
t: time
 I: rated current
 I_r: setting current
 Curve n°1: charateristic with cold start
 Curve n°2: charateristic with hot start

DPX³ 160 thermal-magnetic with integrated e.l.c.bs Tripping curves



t: time
 I: rated current
 I_r: setting current
 Curve n°1: charateristic with cold start
 Curve n°2: charateristic with hot start

DPX³ 250 thermal-magnetic with integrated e.l.c.bs Tripping curves



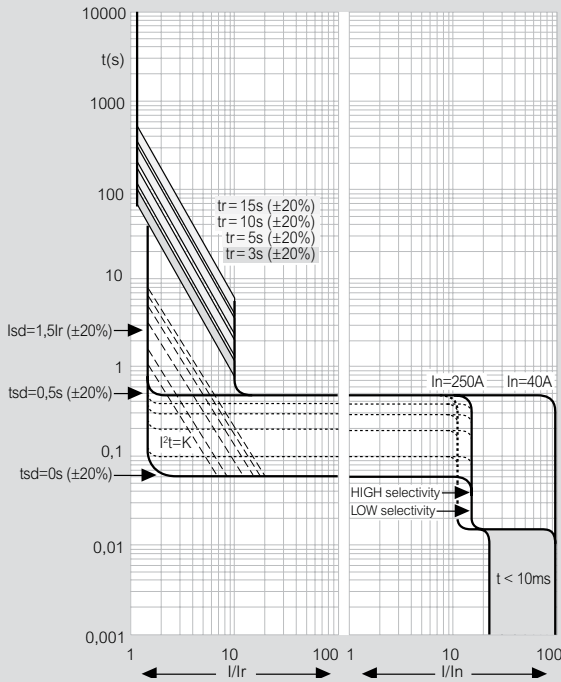
t: time
 I: rated current
 I_r: setting current

DPX³ 160/250 (continued)

DPX³ 630/1600

reading DPX³ characteristic curves and adjustment ranges

DPX³ 250 electronic release Tripping curves



Adjustment for thermal-magnetic DPX³

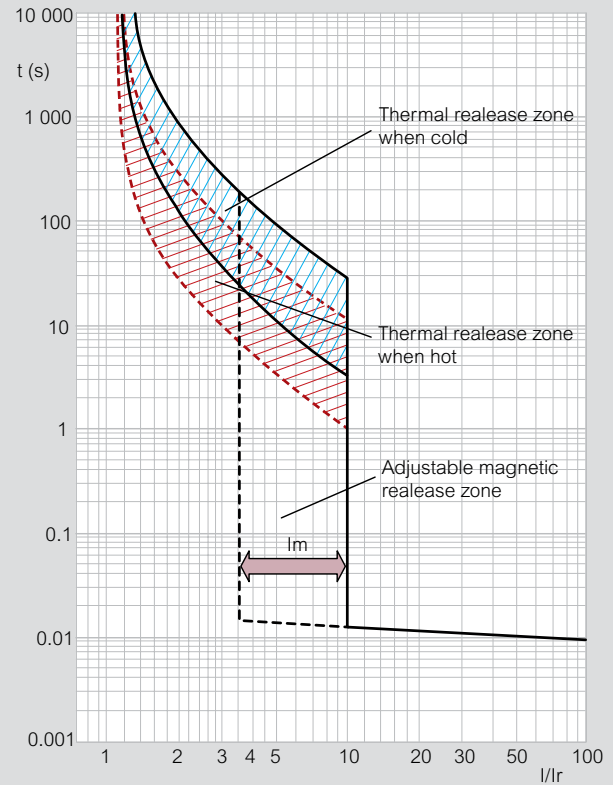
Setting	DPX ³ thermal magnetiac	DPX ³ with integrated e.l.c.bs
I_r overload trip threshold (thermal)	0.4 to 1 I _n	0.4 to 1 I _n
I_m short-circuit trip threshold (magnetic)	fixed: 10 I _n ⁽¹⁾	fixed: 10 I _n ⁽¹⁾
I_{Δn} (A)	-	0.03 - 0.03 - 1 - 3
Δt (s)	-	0 - 0.3 - 1 - 3

1: 400 A for DPX³ 160 I_n 16 A and 25 A

Adjustment for DPX³ electronic release

Setting	DPX ³	DPX ³ with integrated e.l.c.bs
I_r overload trip threshold (long delay)	0.4 to 1 I _n	
t_r long delay trip time	3 - 5 - 10 - 15s	
I_{sd} short-circuit trip threshold (short delay)	1.5 - 2 - 2.5 - 3 - 4 - 5 - 6 - 7 - 8 - 9 - 10 x I _r	
t_{sd} short delay trip time	0.01 - 0.1 - 0.2 - 0.3 - 0.4 - 0.5s	
I_g	(0.2 - 0.3 - 0.4 - 0.5 - 0.6 - 0.7 - 0.8 - 1 - OFF) x I _n	
t_g	0.1 - 0.2 - 0.5 - 1s	

Tripping curve for a DPX³ thermal-magnetic trip



I: actual current

I_r: thermal protection against overloads (setting: I_r = x I_n)

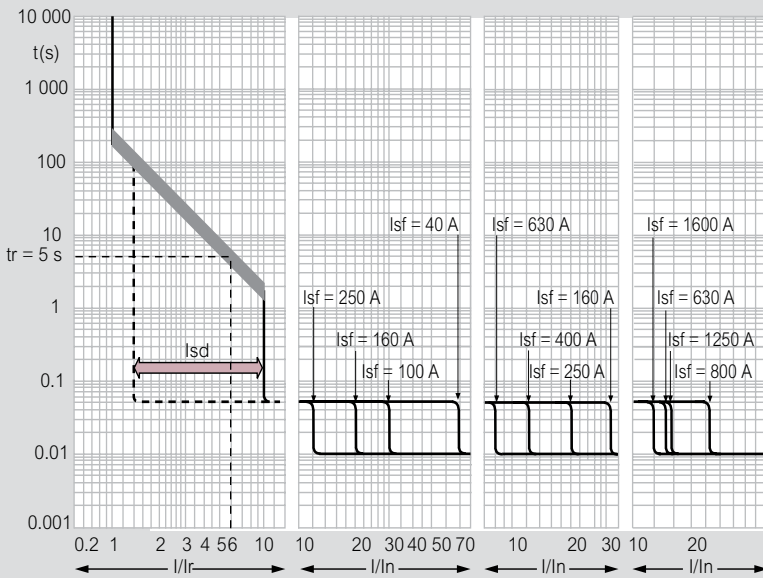
I_m: magnetic protection against short-circuits (setting: I_m = x I_n or I_m = x I_r)

As the abscissa of the curves represents the ratio I/I_r, modifying the setting of I_r will not change the graphical representation of the thermal trip. However, the magnetic setting can be read directly (between 3.5 and 10 in the example).

DPX³ 630/1600

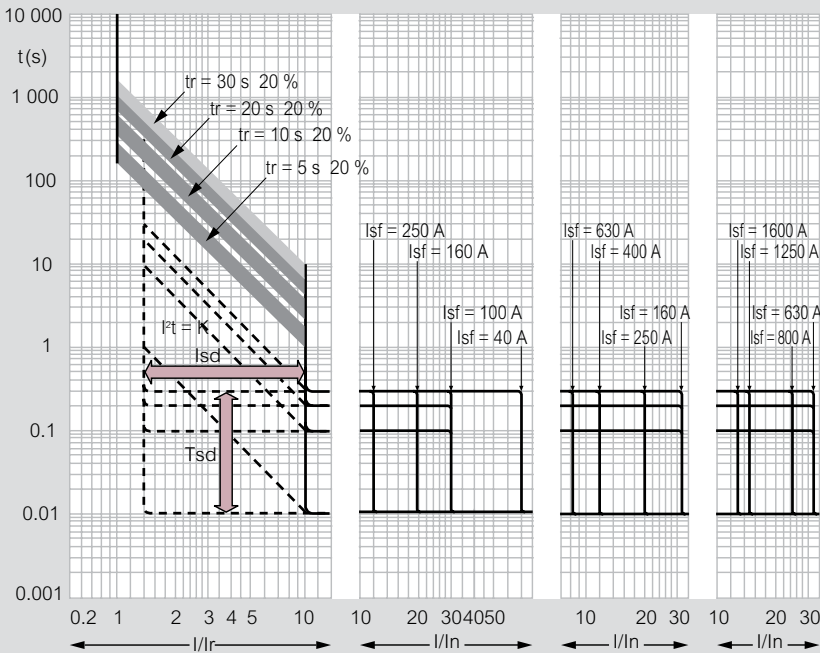
reading DPX³ characteristic curves and adjustment ranges

Tripping curve for a DPX³ electronic release S1, adjustable Ir and Isd



I: actual current
 Ir: long delay protection against overloads (setting: $I_r = x I_n$)
 Isd: long delay protection operation time (fixed value: 5 s at 6 Ir)
 Isd: short delay protection against short-circuits (setting: $I_m = x I_r$, between 1.5 and 10 Ir in the example)
 tsd: short delay protection operation time (fixed value: 0.05 s)
 If: fixed threshold instantaneous protection (4 to 20 kA depending on model)

Tripping curve for a DPX³ electronic release S2, adjustable Ir, Isd, tr and tsd



I: actual current
 Ir: long delay protection against overloads (setting: $I_r = x I_n$)
 tr: long delay protection operation time (fixed value: 5 to 30 s)
 Isd: short delay protection against short-circuits (setting: $I_m = x I_r$, between 1.5 and 10 Ir in the example)
 tsd: short delay protection operation time (setting: 0 to 0.3 s)
 I²t constant (adjustable via tsd)
 If: fixed threshold instantaneous protection (4 to 20 kA depending on model)

Adjustment for thermal-magnetic DPX³

Setting	DPX ³ 630	DPX ³ 1600
Ir overload trip threshold (thermal)	0.8 to 1 In	0.8 to 1 In
Im short-circuit trip threshold (magnetic)	5 to 10 In	5 to 10 In

Adjustment for DPX³ electronic release

Setting	DPX ³ 630 / 1600 S1	DPX ³ 630 / 1600 S2
Ir overload trip threshold (long delay)	$(0.4 - 0.5 - 0.6 - 0.7 - 0.8 - 0.9 - 0.95 - 1) \times I_n$	
tr long delay trip time	fixed: 5 s (to 6 Ir)	5 - 10 - 20 - 30 s (to 6 Ir)
Isd short-circuit trip threshold (short delay)	$(1.5 - 2 - 3 - 4 - 5 - 6 - 8 - 10) \times I_r^{(1)}$	
tsd Short delay trip time	fixed: 0.05 s	0 - 0.1 - 0.2 - 0.3 s

1: 7.9 Ir for DPX³ 630 In 630 A

DPX³ MCCBs

with integrated ELM

DPX³ : MCCBs with integrated ELM

Current (A)	Breaking Capacity Icu (kA)	Frame	4P
16	16 kA	DPX ³ 160	4200 30
	25 kA	DPX ³ 160	4200 70
	36 kA	DPX ³ 160	4201 10
	50 kA	DPX ³ 160	4201 50
25	16 kA	DPX ³ 160	4200 31
	25 kA	DPX ³ 160	4200 71
	36 kA	DPX ³ 160	4201 11
	50 kA	DPX ³ 160	4201 51
40	16 kA	DPX ³ 160	4200 32
	25 kA	DPX ³ 160	4200 72
	36 kA	DPX ³ 160	4201 12
	50 kA	DPX ³ 160	4201 52
	25 kA	DPX ³ 250	4203 22
	36 kA	DPX ³ 250	4203 52
	50 kA	DPX ³ 250	4203 82
	70 kA	DPX ³ 250	4206 55
	25 kA	DPX ³ 250	4204 22
	36 kA	DPX ³ 250	4204 52
	50 kA	DPX ³ 250	4204 82
	70 kA	DPX ³ 250	4206 85
63	16 kA	DPX ³ 160	4200 33
	25 kA	DPX ³ 160	4200 73
	36 kA	DPX ³ 160	4201 13
	50 kA	DPX ³ 160	4201 53
80	16 kA	DPX ³ 160	4200 34
	25 kA	DPX ³ 160	4200 74
	36 kA	DPX ³ 160	4201 14
	50 kA	DPX ³ 160	4201 54
100	16 kA	DPX ³ 160	4200 35
	25 kA	DPX ³ 160	4200 75
	36 kA	DPX ³ 160	4201 15
	50 kA	DPX ³ 160	4201 55
	25 kA	DPX ³ 250	4202 25
	36 kA	DPX ³ 250	4202 55
	50 kA	DPX ³ 250	4202 85
	70 kA	DPX ³ 250	4206 25
	25 kA	DPX ³ 250	4203 25
	36 kA	DPX ³ 250	4203 55
	50 kA	DPX ³ 250	4203 85
	70 kA	DPX ³ 250	4206 57
	25 kA	DPX ³ 250	4204 25
	36 kA	DPX ³ 250	4204 55
	50 kA	DPX ³ 250	4204 85
	70 kA	DPX ³ 250	4206 87

Current (A)	Breaking Capacity Icu (kA)	Frame	4P
125	16 kA	DPX ³ 160	4200 36
	25 kA	DPX ³ 160	4200 76
	36 kA	DPX ³ 160	4201 16
	50 kA	DPX ³ 160	4201 56
160	16 kA	DPX ³ 160	4200 37
	25 kA	DPX ³ 160	4200 77
	36 kA	DPX ³ 160	4201 17
	50 kA	DPX ³ 160	4201 57
	25 kA	DPX ³ 250	4202 27
	36 kA	DPX ³ 250	4202 57
	50 kA	DPX ³ 250	4202 87
	70 kA	DPX ³ 250	4206 27
	25 kA	DPX ³ 250	4203 27
	36 kA	DPX ³ 250	4203 57
	50 kA	DPX ³ 250	4203 87
	70 kA	DPX ³ 250	4206 58
	25 kA	DPX ³ 250	4204 27
	36 kA	DPX ³ 250	4204 57
	50 kA	DPX ³ 250	4204 87
	70 kA	DPX ³ 250	4206 88
200	25 kA	DPX ³ 250	4202 28
	36 kA	DPX ³ 250	4202 58
	50 kA	DPX ³ 250	4202 88
	70 kA	DPX ³ 250	4206 28
250	25 kA	DPX ³ 250	4202 29
	36 kA	DPX ³ 250	4202 59
	50 kA	DPX ³ 250	4202 89
	70 kA	DPX ³ 250	4206 29
	25 kA	DPX ³ 250	4203 29
	36 kA	DPX ³ 250	4203 59
	50 kA	DPX ³ 250	4203 89
	70 kA	DPX ³ 250	4206 59
	25 kA	DPX ³ 250	4204 29
	36 kA	DPX ³ 250	4204 59
	50 kA	DPX ³ 250	4204 89
	70 kA	DPX ³ 250	4206 89

Selectivity table DMX³ / DPX³

Limits of selectivity (average values kA at 400 V_~)

Downstream MCCB	In	Upstream ACB																			
		DMX ³ - N 2500 (50 kA) DMX ³ - H 2500 (65 kA)					DMX ³ - L 2500 (100 kA)					DMX ³ -N 4000 (50 kA)		DMX ³ -H 4000 (65 kA)		DMX ³ -L 4000 (100 kA)		DMX ³ -L 6300 (100 kA)			
		800	1000	1250	1600	2000	2500	800	1000	1250	1600	2000	2500	3200	4000	3200	4000	3200	4000	5000	6300
DPX ³ 160 (16, 25, 36, 50 kA) with or without e.l.c.bs	16 - 160	T	T	T	T	T	T	T	T	T	T	T	T	T	T	T	T	T	T	T	T
DPX ³ 250 thermal-magnetic (25, 36, 50 kA) with or without e.l.c.bs	100-250	T	T	T	T	T	T	T	T	T	T	T	T	T	T	T	T	T	T	T	T
DPX ³ 250 thermal-magnetic (70 kA) with or without e.l.c.bs	100-250	-	-	-	-	-	-	T	T	T	T	T	T	T	T	T	T	T	T	T	T
DPX ³ 250 electronic release selector switch on "HIGH" (25, 36, 50 kA) with or without e.l.c.bs	40	T	T	T	T	T	T	T	T	T	T	T	T	T	T	T	T	T	T	T	T
	100	T	T	T	T	T	T	T	T	T	T	T	T	T	T	T	T	T	T	T	T
	160	T	T	T	T	T	T	T	T	T	T	T	T	T	T	T	T	T	T	T	T
	200	T	T	T	T	T	T	T	T	T	T	T	T	T	T	T	T	T	T	T	T
DPX ³ 250 electronic release selector switch on "HIGH" (70 kA) with or without e.l.c.bs	40	-	-	-	-	-	-	T	T	T	T	T	T	T	T	T	T	T	T	T	T
	100	-	-	-	-	-	-	T	T	T	T	T	T	T	T	T	T	T	T	T	T
	160	-	-	-	-	-	-	T	T	T	T	T	T	T	T	T	T	T	T	T	T
	200	-	-	-	-	-	-	T	T	T	T	T	T	T	T	T	T	T	T	T	T
DPX ³ 250 electronic release selector switch on "LOW" (25, 36, 50 kA) with or without e.l.c.bs	40	T	T	T	T	T	T	T	T	T	T	T	T	T	T	T	T	T	T	T	T
	100	T	T	T	T	T	T	T	T	T	T	T	T	T	T	T	T	T	T	T	T
	160	T	T	T	T	T	T	T	T	T	T	T	T	T	T	T	T	T	T	T	T
	200	T	T	T	T	T	T	T	T	T	T	T	T	T	T	T	T	T	T	T	T
DPX ³ 250 electronic release selector switch on "LOW" (70 kA) with or without e.l.c.bs	40	-	-	-	-	-	-	T	T	T	T	T	T	T	T	T	T	T	T	T	T
	100	-	-	-	-	-	-	T	T	T	T	T	T	T	T	T	T	T	T	T	T
	160	-	-	-	-	-	-	T	T	T	T	T	T	T	T	T	T	T	T	T	T
	200	-	-	-	-	-	-	T	T	T	T	T	T	T	T	T	T	T	T	T	T
DPX ³ 630 thermal magnetic (36, 50 kA)	250	T	T	T	T	T	T	T	T	T	T	T	T	T	T	T	T	T	T	T	T
	320	T	T	T	T	T	T	T	T	T	T	T	T	T	T	T	T	T	T	T	T
	400	T	T	T	T	T	T	T	T	T	T	T	T	T	T	T	T	T	T	T	T
	500	T	T	T	T	T	T	T	T	T	T	T	T	T	T	T	T	T	T	T	T
DPX ³ 630 thermal magnetic (70, 100 kA)	630	-	T	T	T	T	T	-	T	T	T	T	T	T	T	T	T	T	T	T	T
	250	-	-	-	-	-	-	T	T	T	T	T	T	T	T	T	T	T	T	T	T
	320	-	-	-	-	-	-	T	T	T	T	T	T	T	T	T	T	T	T	T	T
	400	-	-	-	-	-	-	T	T	T	T	T	T	T	T	T	T	T	T	T	T
DPX ³ 630 electronic release selector switch on "HIGH" S2 and Sg (36, 50 kA)	500	-	-	-	-	-	-	T	T	T	T	T	T	T	T	T	T	T	T	T	T
	630	-	-	-	-	-	-	T	T	T	T	T	T	T	T	T	T	T	T	T	T
	250	T	T	T	T	T	T	T	T	T	T	T	T	T	T	T	T	T	T	T	T
	320	T	T	T	T	T	T	T	T	T	T	T	T	T	T	T	T	T	T	T	T
DPX ³ 630 electronic release selector switch on "LOW" S2 and Sg (36, 50 kA)	400	T	T	T	T	T	T	T	T	T	T	T	T	T	T	T	T	T	T	T	T
	500	T	T	T	T	T	T	T	T	T	T	T	T	T	T	T	T	T	T	T	T
	630	-	T	T	T	T	T	-	T	T	T	T	T	T	T	T	T	T	T	T	T
	250	-	-	-	-	-	-	-	T	T	T	T	T	T	T	T	T	T	T	T	T
DPX ³ 630 electronic release selector switch on "HIGH" S2 and Sg (70, 100 kA)	320	-	-	-	-	-	-	T	T	T	T	T	T	T	T	T	T	T	T	T	T
	400	-	-	-	-	-	-	T	T	T	T	T	T	T	T	T	T	T	T	T	T
	500	T	T	T	T	T	T	T	T	T	T	T	T	T	T	T	T	T	T	T	T
	630	-	-	-	-	-	-	-	T	T	T	T	T	T	T	T	T	T	T	T	T
DPX ³ 630 electronic release selector switch on "LOW" S2 and Sg (70, 100 kA)	250	-	-	-	-	-	-	T	T	T	T	T	T	T	T	T	T	T	T	T	T
	320	-	-	-	-	-	-	-	-	-	-	-	-	-	-	-	-	-	-	-	-
	400	-	-	-	-	-	-	T	T	T	T	T	T	T	T	T	T	T	T	T	T
	500	-	-	-	-	-	-	T	T	T	T	T	T	T	T	T	T	T	T	T	T
DPX ³ 1600 thermal magnetic (36, 50 kA)	630	-	T	T	T	T	T	T	T	T	T	T	T	T	T	T	T	T	T	T	T
	800	-	-	-	T	T	T	-	-	-	-	-	-	-	-	-	-	-	-	-	-
	1000	-	-	-	-	T	T	-	-	-	-	-	-	-	-	-	-	-	-	-	-
	1250	-	-	-	-	-	T	T	-	-	-	-	-	-	-	-	-	-	-	-	-
DPX ³ 1600 thermal magnetic (70, 100 kA)	630	-	-	-	-	-	-	T	T	T	T	T	T	T	T	T	T	T	T	T	T
	800	-	-	-	-	-	-	-	-	-	-	-	-	-	-	-	-	-	-	-	-
	1000	-	-	-	-	-	-	-	-	-	-	-	-	-	-	-	-	-	-	-	-
	1250	-	-	-	-	-	-	-	-	-	-	-	-	-	-	-	-	-	-	-	-
DPX and DPX-H 1600 electronic release selector switch on "HIGH" S2 and Sg (30, 50, 70, 100 kA)	630	-	T	T	T	T	T	-	T	T	T	T	T	T	T	T	T	T	T	T	T
	800	-	-	-	T	T	T	-	-	-	-	-	-	-	-	-	-	-	-	-	-
	1000	-	-	-	-	T	T	-	-	-	-	-	-	-	-	-	-	-	-	-	-
	1250	-	-	-	-	-	T	T	-	-	-	-	-	-	-	-	-	-	-	-	-
DPX and DPX-H 1600 electronic release selector switch on "LOW" S2 and Sg (36, 50, 70, 100 kA)	1600	-	-	-	-	-	T ⁽¹⁾	T	-	-	-	-	-	-	-	-	-	-	-	-	-
	630	-	T	T	T	T	T	-	T	T	T	T	T	T	T	T	T	T	T	T	T
	800	-	-	-	T	T	T	-	-	-	-	-	-	-	-	-	-	-	-	-	-
	1000	-	-	-	-	T	T	-	-	-	-	-	-	-	-	-	-	-	-	-	-
DPX and DPX-H 1600 electronic release selector switch on "LOW" S2 and Sg (36, 50, 70, 100 kA)	1250	-	-	-	-	-	T	T	-	-	-	-	-	-	-	-	-	-	-	-	-
	1600	-	-	-	-	-	T ⁽¹⁾	T	-	-	-	-	-	-	-	-	-	-	-	-	-

T = total selectivity, up to downstream circuit breaker breaking capacity, according to IEC 60947-2 ; (1) Except with DMX³ - N 2500 50 kA upstream : selectivity limit = 50 kA

Selectivity table thermal-magnetic release DPX³ / DPX³

Limits of selectivity (average values kA at 400 V_~)

Downstream MCCB	In (A)	Upstream MCCB																					
		DPX ³ 160 16, 25, 36, 50 kA with or without e.l.c.bs							DPX ³ 250 25, 36, 50, 70 kA with or without e.l.c.bs					DPX ³ 630 36, 50, 70, 100 kA with or without e.l.c.bs					DPX ³ 1600 36, 50, 70, 100 kA				
		16	25	40	63	80	100	125	160	100	160	200	250	250	320	400	500	630	630	800	1000	1250	
DPX ³ 160 16, 25 kA with or without e.l.c.bs	16	-	-	-	0.63	0.8	1	1.25	1.6	1	1.6	2	2.5	2.5	3.2	4	5	6.3	T ⁽¹⁾	T ⁽¹⁾	T ⁽¹⁾	T ⁽¹⁾	
	25	-	-	-	0.63	0.8	1	1.25	1.6	1	1.6	2	2.5	2.5	3.2	4	5	6.3	T ⁽¹⁾	T ⁽¹⁾	T ⁽¹⁾	T ⁽¹⁾	
	40	-	-	-	0.63	0.8	1	1.25	1.6	1	1.6	2	2.5	2.5	3.2	4	5	6.3	T ⁽¹⁾	T ⁽¹⁾	T ⁽¹⁾	T ⁽¹⁾	
	63	-	-	-	-	0.8	1	1.25	1.6	-	-	-	-	2.5	3.2	4	5	6.3	T ⁽¹⁾	T ⁽¹⁾	T ⁽¹⁾	T ⁽¹⁾	
	80	-	-	-	-	-	1	1.25	1.6	-	-	-	-	2.5	3.2	4	5	6.3	T ⁽¹⁾	T ⁽¹⁾	T ⁽¹⁾	T ⁽¹⁾	
	100	-	-	-	-	-	-	1.25	1.6	-	-	-	-	2.5	3.2	4	5	6.3	T ⁽¹⁾	T ⁽¹⁾	T ⁽¹⁾	T ⁽¹⁾	
	125	-	-	-	-	-	-	-	1.6	-	-	-	-	2.5	3.2	4	5	6.3	T ⁽¹⁾	T ⁽¹⁾	T ⁽¹⁾	T ⁽¹⁾	
DPX ³ 160 36 kA with or without e.l.c.bs	16	-	-	-	0.63	0.8	1	1.25	1.6	1	1.6	2	2.5	2.5	3.2	4	5	6.3	16	16	16	16	
	25	-	-	-	0.63	0.8	1	1.25	1.6	1	1.6	2	2.5	2.5	3.2	4	5	6.3	16	16	16	16	
	40	-	-	-	0.63	0.8	1	1.25	1.6	1	1.6	2	2.5	2.5	3.2	4	5	6.3	16	16	16	16	
	63	-	-	-	-	0.8	1	1.25	1.6	-	-	-	-	2.5	3.2	4	5	6.3	16	16	16	16	
	80	-	-	-	-	-	1	1.25	1.6	-	-	-	-	2.5	3.2	4	5	6.3	16	16	16	16	
	100	-	-	-	-	-	-	1.25	1.6	-	-	-	-	2.5	3.2	4	5	6.3	16	16	16	16	
	125	-	-	-	-	-	-	-	1.6	-	1.6	2	2.5	2.5	3.2	4	5	6.3	16	16	16	16	
DPX ³ 160 50 kA with or without e.l.c.bs	16	-	-	-	0.63	0.8	1	1.25	1.6	-	-	-	-	2.5	3.2	4	5	6.3	16	16	16	16	
	25	-	-	-	0.63	0.8	1	1.25	1.6	-	-	-	-	2.5	3.2	4	5	6.3	16	16	16	16	
	40	-	-	-	0.63	0.8	1	1.25	1.6	-	-	-	-	2.5	3.2	4	5	6.3	16	16	16	16	
	63	-	-	-	-	0.8	1	1.25	1.6	-	-	-	-	2.5	3.2	4	5	6.3	16	16	16	16	
	80	-	-	-	-	-	1	1.25	1.6	-	-	-	-	2.5	3.2	4	5	6.3	16	16	16	16	
	100	-	-	-	-	-	-	1.25	1.6	-	-	-	-	2.5	3.2	4	5	6.3	16	16	16	16	
	125	-	-	-	-	-	-	-	1.6	-	-	-	-	2.5	3.2	4	5	6.3	16	16	16	16	
DPX ³ 250 thermal-magnetic 25, 36, 50, 70 kA with or without e.l.c.bs	160	-	-	-	-	-	-	-	-	-	-	-	-	2.5	3.2	4	5	6.3	16	16	16	16	
	100	-	-	-	-	-	1.25	1.6	-	1.6	2	2.5	2.5	3.2	4	5	6.3	16	16	16	16		
	250	-	-	-	-	-	-	-	-	-	-	-	-	-	3.2	4	5	6.3	16	16	16	16	
DPX ³ 250 electronic release ⁽¹⁾ 25, 36, 50, 70 kA with or without e.l.c.bs	40	-	-	-	-	-	-	-	-	-	-	-	-	2.5	3.2	4	5	6.3	-	-	-	-	
	100	-	-	-	-	-	-	-	-	-	-	-	-	2.5	3.2	4	5	6.3	-	-	-	-	
	160	-	-	-	-	-	-	-	-	-	-	-	-	2.5	3.2	4	5	6.3	-	-	-	-	
DPX ³ 250 electronic release ⁽²⁾ 25, 36, 50, 70 kA with or without e.l.c.bs	200	-	-	-	-	-	-	-	-	-	-	-	-	2.5	3.2	4	5	6.3	-	-	-	-	
	250	-	-	-	-	-	-	-	-	-	-	-	-	-	3.2	4	5	6.3	-	-	-	-	
	40	-	-	-	0.63	0.8	1	1.25	1.6	1	1.6	2	2.5	2.5	3.2	4	5	6.3	16	16	16	16	
DPX ³ 630 thermal magnetic 36, 50, 70, 100 kA	100	-	-	-	-	-	-	1.25	1.6	-	1.6	2	2.5	2.5	3.2	4	5	6.3	16	16	16	16	
	160	-	-	-	-	-	-	-	-	-	-	-	-	2	2.5	2.5	3.2	4	5	6.3	16	16	
	200	-	-	-	-	-	-	-	-	-	-	-	-	-	2.5	2.5	3.2	4	5	6.3	16	16	
DPX ³ 1600 thermal magnetic 30, 50, 70, 100 kA	250	-	-	-	-	-	-	-	-	-	-	-	-	-	3.2	4	5	6.3	16	16	16	16	
	320	-	-	-	-	-	-	-	-	-	-	-	-	-	-	4	5	6.3	16	16	16	16	
	400	-	-	-	-	-	-	-	-	-	-	-	-	-	-	-	5	6.3	16	16	16	16	
	500	-	-	-	-	-	-	-	-	-	-	-	-	-	-	-	-	6.3	16	16	16	16	
DPX and DPX-H 630 electronic release selector switch on "HIGH" S2 and Sg 36, 50, 70, 100 kA	630	-	-	-	-	-	-	-	-	-	-	-	-	-	-	-	-	-	-	16	16	16	
	250	-	-	-	-	-	-	-	-	-	-	-	-	-	-	-	-	-	-	-	-	-	
	320	-	-	-	-	-	-	-	-	-	-	-	-	-	-	-	-	-	-	-	-	-	
	400	-	-	-	-	-	-	-	-	-	-	-	-	-	-	-	-	-	-	-	-	-	
DPX ³ 630 electronic release selector switch on "LOW" S1 and S2 36, 50, 70, 100 kA	500	-	-	-	-	-	-	-	-	-	-	-	-	-	-	-	-	-	-	-	-	-	
	630	-	-	-	-	-	-	-	-	-	-	-	-	-	-	-	-	-	-	-	-	-	
	250	-	-	-	-	-	-	-	-	-	-	-	-	-	-	-	-	6.3	8	10	12.5	12.5	
	320	-	-	-	-	-	-	-	-	-	-	-	-	-	-	-	-	6.3	8	10	12.5	12.5	
DPX ³ 1600 electronic release selector switch on "HIGH" S2 and Sg 36, 50, 70, 100 kA	400	-	-	-	-	-	-	-	-	-	-	-	-	-	-	-	-	6.3	8	10	12.5	12.5	
	500	-	-	-	-	-	-	-	-	-	-	-	-	-	-	-	-	-	6.3	8	10	12.5	12.5
	630	-	-	-	-	-	-	-	-	-	-	-	-	-	-	-	-	-	-	8	10	12.5	12.5
	1000	-	-	-	-	-	-	-	-	-	-	-	-	-	-	-	-	-	-	8	10	12.5	12.5
DPX ³ 1600 electronic release selector switch on "LOW" S2 and Sg 36, 50, 70, 100 kA	1250	-	-	-	-	-	-	-	-	-	-	-	-	-	-	-	-	-	-	-	-	-	
	630	-	-	-	-	-	-	-	-	-	-	-	-	-	-	-	-	-	-	-	-	-	
	800	-	-	-	-	-	-	-	-	-	-	-	-	-	-	-	-	-	-	-	-	-	
	1000	-	-	-	-	-	-	-	-	-	-	-	-	-	-	-	-	-	-	-	-	-	
1250	-	-	-	-	-	-	-	-	-	-	-	-	-	-	-	-	-	-	-	-	-		
1600	-	-	-	-	-	-	-	-	-	-	-	-	-	-	-	-	-	-	-	-	-	-	

T = total selectivity, up to downstream circuit breaker breaking capacity, according to IEC 60947-2
 (1) Except for DPX³ 160 25 kA downstream : selectivity limit = 16 kA

Selectivity table electronic release DPX³ / DPX³

Limits of selectivity (average values kA at 400 V_~)

Downstream MCCB	I _{cu} (kA)	In (A)	Upstream MCCB electronic release, selector switch on "HIGH"									
			DPX ³ 250 electronic release (25, 36, 50, 70 kA) with or without e.l.c.bs				DPX ³ 630 electronic release S2, Sg (36, 50, 70, 100 kA)					
			40	100	160	250	250	320	400	500	630	
DPX ³ 160 with or without e.l.c.bs	16, 25, 36 kA	16, 25	T	T	T	T	T	T	T	T	T	
		40	-	T	T	T	T	T	T	T	T	
		63, 80, 100	-	-	-	-	T	T	T	T	T	
		125	-	-	-	-	T	T	T	T	T	
		160	-	-	-	T	T	T	T	T	T	
	50 kA	16, 25	-	-	-	-	36	36	36	36	36	
		40	-	-	-	-	36	36	36	36	36	
		63, 80, 100	-	-	-	-	36	36	36	36	36	
		125	-	-	-	-	36	36	36	36	36	
		160	-	-	-	-	36	36	36	36	36	
DPX ³ 250 thermal-magnetic with or without e.l.c.bs	25 kA	100	-	-	16	16	T	T	T	T	T	
		160	-	-	-	16	T	T	T	T	T	
		200	-	-	-	16	T	T	T	T	T	
		250	-	-	-	-	-	T	T	T	T	
		100	-	-	25	25	T	T	T	T	T	
	36 kA	160	-	-	-	25	T	T	T	T	T	
		200	-	-	-	25	T	T	T	T	T	
		250	-	-	-	-	-	T	T	T	T	
		100	-	-	25	25	36	36	36	36	36	
		160	-	-	-	25	36	36	36	36	36	
	50 kA	160	-	-	-	25	36	36	36	36	36	
		200	-	-	-	25	36	36	36	36	36	
		250	-	-	-	-	-	36	36	36	36	
		100	-	-	36	36	36	36	36	36	36	
		160	-	-	-	36	36	36	36	36	36	
	70 kA	160	-	-	-	36	36	36	36	36	36	
		200	-	-	-	36	36	36	36	36	36	
		250	-	-	-	-	-	36	36	36	36	
		40	-	1	1.6	2.5	2.5	3.2	4	5	6.3	
		100	-	-	1.6	2.5	2.5	3.2	4	5	6.3	
DPX ³ 250 electronic release selector switch on "HIGH" with or without e.l.c.bs	25 kA	160	-	-	-	2.5	2.5	3.2	4	5	6.3	
		250	-	-	-	-	-	3.2	4	5	6.3	
		40	-	1	1.6	2.5	2.5	3.2	4	5	6.3	
		100	-	-	1.6	2.5	2.5	3.2	4	5	6.3	
		160	-	-	-	2.5	2.5	3.2	4	5	6.3	
	36 kA	160	-	-	-	2.5	2.5	3.2	4	5	6.3	
		250	-	-	-	-	-	3.2	4	5	6.3	
		40	-	1	1.6	2.5	2.5	3.2	4	5	6.3	
		100	-	-	1.6	2.5	2.5	3.2	4	5	6.3	
		160	-	-	-	2.5	2.5	3.2	4	5	6.3	
	50 kA	160	-	-	-	2.5	2.5	3.2	4	5	6.3	
		250	-	-	-	-	-	3.2	4	5	6.3	
		40	-	1	1.6	2.5	2.5	3.2	4	5	6.3	
		100	-	-	1.6	2.5	2.5	3.2	4	5	6.3	
		160	-	-	-	2.5	2.5	3.2	4	5	6.3	
	70 kA	160	-	-	-	2.5	2.5	3.2	4	5	6.3	
		250	-	-	-	-	-	3.2	4	5	6.3	
		DPX ³ 250 electronic release selector switch on "LOW" with or without e.l.c.bs	25 kA	40	-	T	T	T	T	T	T	T
				100	-	-	T	T	T	T	T	T
				160	-	-	-	T	T	T	T	T
250	-			-	-	-	-	T	T	T		
40	-			36	36	36	T	T	T	T		
36 kA	100		-	-	36	36	T	T	T	T		
	160		-	-	-	36	T	T	T	T		
	250		-	-	-	-	-	T	T	T		
	40		-	36	36	36	36	36	36	36		
	100		-	-	36	36	36	36	36	36		
50 kA	160		-	-	-	36	36	36	36	36		
	250		-	-	-	-	-	36	36	36		
	40		-	36	36	36	36	36	36	36		
	100		-	-	36	36	36	36	36	36		
	160		-	-	-	36	36	36	36	36		
70 kA	160		-	-	-	36	36	36	36	36		
	250		-	-	-	-	-	36	36	36		
	DPX ³ 630 thermal magnetic		36 and 50 kA	250	-	-	-	-	-	25	25	25
				320	-	-	-	-	-	-	25	25
				400	-	-	-	-	-	-	-	25
500		-		-	-	-	-	-	-	-	25	
630		-		-	-	-	-	-	-	-	-	
70 kA		250	-	-	-	-	-	25	25	25	25	
		320	-	-	-	-	-	-	25	25	25	
		400	-	-	-	-	-	-	-	25	25	
		500	-	-	-	-	-	-	-	-	25	
		630	-	-	-	-	-	-	-	-	-	
100 kA		250	-	-	-	-	-	25	25	25	25	
		320	-	-	-	-	-	-	25	25	25	
		400	-	-	-	-	-	-	-	25	25	
		500	-	-	-	-	-	-	-	-	25	
		630	-	-	-	-	-	-	-	-	-	
DPX ³ 630 electronic release selector switch on "HIGH" S2, Sg	36, 50, 70, 100 kA	250	-	-	-	-	-	3.2	4	5	6.3	
		320	-	-	-	-	-	-	4	5	6.3	
		400	-	-	-	-	-	-	-	5	6.3	
		500	-	-	-	-	-	-	-	-	6.3	
		630	-	-	-	-	-	-	-	-	-	
DPX ³ 630 electronic release selector switch on "LOW" S2, Sg	36, 50, 70, 100 kA	250	-	-	-	-	-	16	16	16	16	
		320	-	-	-	-	-	-	16	16	16	
		400	-	-	-	-	-	-	-	16	16	
		500	-	-	-	-	-	-	-	-	16	
		630	-	-	-	-	-	-	-	-	-	

T = total selectivity, up to downstream circuit breaker breaking capacity, according to IEC 60947-2

Downstream MCCB	Icu (kA)	In (A)	Upstream MCCB electronic release, selector switch on "HIGH"																				
			DPX ³ 1600 electronic release S1, S2, Sg (36 kA)					DPX ³ 1600 electronic release S1, S2, Sg (50 kA)					DPX ³ 1600 electronic release S1, S2, Sg (70 kA)					DPX ³ 1600 electronic release S1, S2, Sg (100 kA)					
			630	800	1000	1250	1600	630	800	1000	1250	1600	630	800	1000	1250	1600	630	800	1000	1250	1600	
DPX ³ 160 with or without e.l.c.bs	16, 25, 36 kA	16 to 160	T	T	T	T	T	T	T	T	T	T	T	T	T	T	T	T	T	T	T		
		40	36	36	36	36	36	T	T	T	T	T	T	T	T	T	T	T	T	T	T		
		63, 80, 100	36	36	36	36	36	T	T	T	T	T	T	T	T	T	T	T	T	T	T		
	DPX ³ 250 thermal-magnetic with or without e.l.c.bs	25, 36 kA	100	T	T	T	T	T	T	T	T	T	T	T	T	T	T	T	T	T	T	T	
			160	T	T	T	T	T	T	T	T	T	T	T	T	T	T	T	T	T	T	T	
			200	T	T	T	T	T	T	T	T	T	T	T	T	T	T	T	T	T	T	T	
DPX ³ 250 electronic release selector switch on "HIGH" with or without e.l.c.bs		25, 36, 50, 70 kA	250	T	T	T	T	T	T	T	T	T	T	T	T	T	T	T	T	T	T	T	
			40	5	6,3	8	10	12,5	5	6,3	8	10	12,5	5	6,3	8	10	12,5	5	6,3	8	10	12,5
			100	5	6,3	8	10	12,5	5	6,3	8	10	12,5	5	6,3	8	10	12,5	5	6,3	8	10	12,5
	DPX ³ 250 selector switch on "LOW" with or without e.l.c.bs	25, 36 kA	100	T	T	T	T	T	T	T	T	T	T	T	T	T	T	T	T	T	T	T	
			160	T	T	T	T	T	T	T	T	T	T	T	T	T	T	T	T	T	T	T	
			250	T	T	T	T	T	T	T	T	T	T	T	T	T	T	T	T	T	T	T	
DPX ³ 630 thermal magnetic		36 and 50 kA	40	36	36	36	36	36	40	40	40	40	40	40	40	40	40	40	40	40	40	40	
			100	36	36	36	36	36	40	40	40	40	40	40	40	40	40	40	40	40	40	40	
			160	36	36	36	36	36	40	40	40	40	40	40	40	40	40	40	40	40	40	40	
	DPX ³ 630 electronic release selector switch on "HIGH" S2, Sg	36, 50, 70, 100 kA	250	36	36	36	36	36	40	40	40	40	40	40	40	40	40	40	40	40	40	40	
			320	36	36	36	36	36	50	50	50	50	50	50	50	50	50	50	50	50	50	50	
			400	36	36	36	36	36	50	50	50	50	50	50	50	50	50	50	50	50	50	50	
DPX ³ 630 electronic release selector switch on "LOW" S2, Sg		36 kA	630	-	-	-	-	-	-	-	-	-	-	-	-	-	-	-	-	-	-	-	
			250	6,3	8	10	12,5	16	6,3	8	10	12,5	16	6,3	8	10	12,5	16	6,3	8	10	12,5	
			320	6,3	8	10	12,5	16	6,3	8	10	12,5	16	6,3	8	10	12,5	16	6,3	8	10	12,5	
	DPX ³ 1600 thermal magnetic	50, 70, 100 kA	400	6,3	8	10	12,5	16	6,3	8	10	12,5	16	6,3	8	10	12,5	16	6,3	8	10	12,5	
			500	6,3	8	10	12,5	16	6,3	8	10	12,5	16	6,3	8	10	12,5	16	6,3	8	10	12,5	
			630	-	8	10	12,5	16	-	8	10	12,5	16	-	8	10	12,5	16	-	8	10	12,5	
DPX ³ 1600 electronic release selector switch on "LOW" S1, S2, Sg		36 kA	250	T	T	T	T	T	T	T	T	T	T	T	T	T	T	T	T	T	T	T	
			320	T	T	T	T	T	T	T	T	T	T	T	T	T	T	T	T	T	T	T	
			400	T	T	T	T	T	T	T	T	T	T	T	T	T	T	T	T	T	T	T	
	DPX ³ 1600 electronic release selector switch on "HIGH" S1, S2, Sg	36 kA	500	T	T	T	T	T	T	T	T	T	T	T	T	T	T	T	T	T	T	T	
			630	-	-	-	-	-	-	-	-	-	-	-	-	-	-	-	-	-	-	-	
			250	36	36	36	36	36	36	36	36	36	36	36	36	36	36	36	36	36	36	36	
DPX ³ 1600 thermal magnetic		50 kA	320	36	36	36	36	36	36	36	36	36	36	36	36	36	36	36	36	36	36	36	
			400	36	36	36	36	36	36	36	36	36	36	36	36	36	36	36	36	36	36	36	
			500	36	36	36	36	36	36	36	36	36	36	36	36	36	36	36	36	36	36	36	
	DPX ³ 1600 electronic release selector switch on "LOW" S1, S2, Sg	50, 70, 100 kA	630	-	36	36	36	36	-	36	36	36	36	-	36	36	36	-	36	36	36	36	
			800	-	-	-	-	-	-	-	-	-	-	-	-	-	-	-	-	-	-	-	
			1000	-	-	-	-	-	-	-	-	-	-	-	-	-	-	-	-	-	-	-	
DPX ³ 1600 electronic release selector switch on "HIGH" S1, S2, Sg		36 kA	1250	-	-	-	-	-	-	-	-	-	-	-	-	-	-	-	-	-	-	-	
			630	-	36	36	36	36	-	50	50	50	50	-	50	50	50	-	50	50	50	50	
			800	-	-	36	36	36	-	-	-	50	50	-	-	-	50	50	-	-	-	50	50
	DPX ³ 1600 electronic release selector switch on "LOW" S1, S2, Sg	50, 70, 100 kA	1000	-	-	-	-	-	-	-	-	-	-	-	-	-	-	-	-	-	-	-	
			1250	-	-	-	-	-	-	-	-	-	-	-	-	-	-	-	-	-	-	-	
			630	-	8	10	12,5	16	-	8	10	12,5	16	-	8	10	12,5	16	-	8	10	12,5	
DPX ³ 1600 electronic release selector switch on "HIGH" S1, S2, Sg		36 kA	800	-	-	10	12,5	16	-	-	10	12,5	16	-	-	10	12,5	16	-	-	10	12,5	
			1000	-	-	-	12,5	16	-	-	-	12,5	16	-	-	-	12,5	16	-	-	-	12,5	16
			1250	-	-	-	-	16	-	-	-	-	16	-	-	-	-	16	-	-	-	-	16
	DPX ³ 1600 electronic release selector switch on "LOW" S1, S2, Sg	50, 70, 100 kA	1600	-	-	-	-	-	-	-	-	-	-	-	-	-	-	-	-	-	-	-	
			630	-	T	T	T	T	-	T	T	T	T	-	T	T	T	T	-	T	T	T	T
			800	-	-	T	T	T	-	-	T	T	T	T	-	-	T	T	T	-	-	T	T

T = total selectivity, up to downstream circuit breaker breaking capacity, according to IEC 60947-2

Selectivity table electronic release DPX³ / DPX³ (continued)

Limits of selectivity (average values kA at 400 V_~)

Downstream MCCB	I _{cu} (kA)	In (A)	Upstream MCCB electronic release, selector switch on "LOW"								
			DPX ³ 250 electronic release (25, 36, 50, 70 kA) with or without e.l.c.bs				DPX ³ 630 electronic release S2, Sg (36, 50, 70, 100 kA)				
			40	100	160	250	250	320	400	500	630
DPX ³ 160 with or without e.l.c.bs	16 kA	16, 25	-	1	1.6	2.5	6	6	6	6	6,3
		40	-	1	1.6	2.5	6	6	6	6	6,3
		63, 80, 100	-	-	-	-	6	6	6	6	6,3
		125	-	-	-	-	6	6	6	6	6,3
		160	-	-	-	2.5	6	6	6	6	6,3
		16, 25	-	1	1.6	2.5	6	6	6	6	6,3
	25 kA	40	-	1	1.6	2.5	6	6	6	6	6,3
		63, 80, 100	-	-	-	-	6	6	6	6	6,3
		125	-	-	-	-	6	6	6	6	6,3
		160	-	-	-	2.5	6	6	6	6	6,3
		16, 25	-	1	1.6	2.5	6	6	6	6	6,3
		40	-	1	1.6	2.5	6	6	6	6	6,3
	36 kA	63, 80, 100	-	-	-	-	6	6	6	6	6,3
		125	-	-	-	-	6	6	6	6	6,3
		160	-	-	-	2.5	6	6	6	6	6,3
		16, 25	-	-	-	-	6	6	6	6	6,3
		40	-	-	-	-	6	6	6	6	6,3
		63, 80, 100	-	-	-	-	6	6	6	6	6,3
	50 kA	125	-	-	-	-	6	6	6	6	6,3
		160	-	-	-	-	6	6	6	6	6,3
		16, 25	-	-	-	-	6	6	6	6	6,3
		40	-	-	-	-	6	6	6	6	6,3
		63, 80, 100	-	-	-	-	6	6	6	6	6,3
		125	-	-	-	-	6	6	6	6	6,3
DPX ³ 250 thermal-magnetic with or without e.l.c.bs	25 kA	160	-	-	1.6	2.5	6	6	6	6	6,3
		200	-	-	-	2.5	6	6	6	6	6,3
		250	-	-	-	-	6	6	6	6	6,3
		100	-	-	1.6	2.5	6	6	6	6	6,3
		160	-	-	-	2.5	6	6	6	6	6,3
		200	-	-	-	2.5	6	6	6	6	6,3
	36 kA	250	-	-	-	-	6	6	6	6	6,3
		100	-	-	1.6	2.5	6	6	6	6	6,3
		160	-	-	-	2.5	6	6	6	6	6,3
		200	-	-	-	2.5	6	6	6	6	6,3
		250	-	-	-	-	6	6	6	6	6,3
		100	-	-	1.6	2.5	6	6	6	6	6,3
50 kA	160	-	-	-	2.5	6	6	6	6	6,3	
	200	-	-	-	2.5	6	6	6	6	6,3	
	250	-	-	-	-	6	6	6	6	6,3	
	100	-	-	1.6	2.5	6	6	6	6	6,3	
	160	-	-	-	2.5	6	6	6	6	6,3	
	200	-	-	-	2.5	6	6	6	6	6,3	
70 kA	250	-	-	-	-	6	6	6	6	6,3	
	100	-	-	1.6	2.5	6	6	6	6	6,3	
	160	-	-	-	2.5	6	6	6	6	6,3	
	200	-	-	-	2.5	6	6	6	6	6,3	
	250	-	-	-	-	6	6	6	6	6,3	
	100	-	-	1.6	2.5	6	6	6	6	6,3	
DPX ³ 250 electronic release selector switch on "HIGH" with or without e.l.c.bs	25 kA	40	-	-	-	-	-	-	-	-	-
		100	-	-	-	-	-	-	-	-	-
		160	-	-	-	-	-	-	-	-	-
		250	-	-	-	-	-	-	-	-	-
	36 kA	40	-	-	-	-	-	-	-	-	-
		100	-	-	-	-	-	-	-	-	-
		160	-	-	-	-	-	-	-	-	-
		250	-	-	-	-	-	-	-	-	-
	50 kA	40	-	-	-	-	-	-	-	-	-
		100	-	-	-	-	-	-	-	-	-
		160	-	-	-	-	-	-	-	-	-
		250	-	-	-	-	-	-	-	-	-
70 kA	40	-	-	-	-	-	-	-	-	-	
	100	-	-	-	-	-	-	-	-	-	
	160	-	-	-	-	-	-	-	-	-	
	250	-	-	-	-	-	-	-	-	-	
DPX ³ 250 electronic release selector switch on "LOW" with or without e.l.c.bs	25 kA	40	-	1	1.6	2.5	8	8	8	8	8
		100	-	-	1.6	2.5	6	6	6	6	6,3
		160	-	-	-	2.5	6	6	6	6	6,3
		250	-	-	-	-	6	6	6	6	6,3
	36 kA	40	-	1	1.6	2.5	8	8	8	8	8
		100	-	-	1.6	2.5	6	6	6	6	6,3
		160	-	-	-	2.5	6	6	6	6	6,3
		250	-	-	-	-	6	6	6	6	6,3
	50 kA	40	-	1	1.6	2.5	8	8	8	8	8
		100	-	-	1.6	2.5	6	6	6	6	6,3
		160	-	-	-	2.5	6	6	6	6	6,3
		250	-	-	-	-	6	6	6	6	6,3
70 kA	40	-	1	1.6	2.5	8	8	8	8	8	
	100	-	-	1.6	2.5	6	6	6	6	6,3	
	160	-	-	-	2.5	6	6	6	6	6,3	
	250	-	-	-	-	6	6	6	6	6,3	
DPX ³ 630 thermal magnetic	25, 36, 50, 70 kA	250	-	-	-	-	-	6	6	6	6,3
		320	-	-	-	-	-	-	6	6	6,3
		400	-	-	-	-	-	-	-	6	6,3
		500	-	-	-	-	-	-	-	-	6,3
		630	-	-	-	-	-	-	-	-	-
DPX ³ 630 electronic release selector switch on "HIGH" S2, Sg	25, 36, 50, 70 kA	250	-	-	-	-	-	-	-	-	-
		320	-	-	-	-	-	-	-	-	-
		400	-	-	-	-	-	-	-	-	-
		500	-	-	-	-	-	-	-	-	-
		630	-	-	-	-	-	-	-	-	-
DPX ³ 630 electronic release selector switch on "LOW" S2, Sg	25, 36, 50, 70 kA	250	-	-	-	-	-	3,2	4	5	6,3
		320	-	-	-	-	-	-	4	5	6,3
		400	-	-	-	-	-	-	-	5	6,3
		500	-	-	-	-	-	-	-	-	6,3
		630	-	-	-	-	-	-	-	-	6,3

T = total selectivity, up to downstream circuit breaker breaking capacity, according to IEC 60947-2

Downstream MCCB	I _{cu} (kA)	In (A)	Upstream MCCB electronic release, selector switch on "LOW"																			
			DPX ³ 1600 electronic release S1, S2, Sg (36 kA)					DPX ³ 1600 electronic release S1, S2, Sg (50 kA)					DPX ³ 1600 electronic release S1, S2, Sg (70 kA)					DPX ³ 1600 electronic release S1, S2, Sg (100 kA)				
			630	800	1000	1250	1600	630	800	1000	1250	1600	630	800	1000	1250	1600	630	800	1000	1250	1600
DPX ³ 160 with or without e.l.c.bs	16, 25, 36, 50 kA	16-40	T	T	T	T	T	T	T	T	T	T	T	T	T	T	T	T	T	T	T	
		63	T	T	T	T	T	T	T	T	T	T	T	T	T	T	T	T	T	T	T	
		80	T	T	T	T	T	T	T	T	T	T	T	T	T	T	T	T	T	T	T	
		100	T	T	T	T	T	T	T	T	T	T	T	T	T	T	T	T	T	T	T	
		125	T	T	T	T	T	T	T	T	T	T	T	T	T	T	T	T	T	T	T	
		160	T	T	T	T	T	T	T	T	T	T	T	T	T	T	T	T	T	T	T	
DPX ³ 250 thermal-magnetic with or without e.l.c.bs	25, 36 kA	100	T	T	T	T	T	T	T	T	T	T	T	T	T	T	T	T	T	T		
		160	T	T	T	T	T	T	T	T	T	T	T	T	T	T	T	T	T	T		
		200	T	T	T	T	T	T	T	T	T	T	T	T	T	T	T	T	T	T		
		250	T	T	T	T	T	T	T	T	T	T	T	T	T	T	T	T	T	T		
		100	36	36	36	36	36	T	T	T	T	T	T	T	T	T	T	T	T	T		
		160	36	36	36	36	36	T	T	T	T	T	T	T	T	T	T	T	T	T		
	50 kA	200	36	36	36	36	36	T	T	T	T	T	T	T	T	T	T	T	T	T		
		250	36	36	36	36	36	T	T	T	T	T	T	T	T	T	T	T	T	T		
		100	36	36	36	36	36	36	36	36	36	36	36	36	36	36	36	36	36	36	36	
		160	36	36	36	36	36	36	36	36	36	36	36	36	36	36	36	36	36	36	36	
		200	36	36	36	36	36	36	36	36	36	36	36	36	36	36	36	36	36	36	36	
		250	36	36	36	36	36	36	36	36	36	36	36	36	36	36	36	36	36	36	36	
DPX ³ 250 electronic release selector switch on "HIGH" with or without e.l.c.bs	25, 36, 50, 70 kA	40	-	-	-	-	-	-	-	-	-	-	-	-	-	-	-	-	-	-		
		100	-	-	-	-	-	-	-	-	-	-	-	-	-	-	-	-	-	-		
		160	-	-	-	-	-	-	-	-	-	-	-	-	-	-	-	-	-	-		
		250	-	-	-	-	-	-	-	-	-	-	-	-	-	-	-	-	-	-		
DPX ³ 250 selector switch on "LOW" with or without e.l.c.bs	25, 36 kA	40	T	T	T	T	T	T	T	T	T	T	T	T	T	T	T	T	T	T		
		100	T	T	T	T	T	T	T	T	T	T	T	T	T	T	T	T	T	T		
		160	T	T	T	T	T	T	T	T	T	T	T	T	T	T	T	T	T	T		
		250	T	T	T	T	T	T	T	T	T	T	T	T	T	T	T	T	T	T		
		40	36	36	36	36	36	36	36	36	36	36	36	36	36	36	36	36	36	36	36	
		100	36	36	36	36	36	36	36	36	36	36	36	36	36	36	36	36	36	36	36	
DPX ³ 630 thermal magnetic	36 and 50 kA	160	36	36	36	36	36	36	36	36	36	36	36	36	36	36	36	36	36	36		
		250	36	36	36	36	36	36	36	36	36	36	36	36	36	36	36	36	36	36		
		250	20	20	20	20	20	20	20	20	20	20	20	20	20	20	20	20	20	20	20	
		320	20	20	20	20	20	20	20	20	20	20	20	20	20	20	20	20	20	20	20	
		400	20	20	20	20	20	20	20	20	20	20	20	20	20	20	20	20	20	20	20	
		500	20	20	20	20	20	20	20	20	20	20	20	20	20	20	20	20	20	20	20	
		630	-	20	20	20	20	-	20	20	20	-	20	20	20	-	20	20	20	20	20	
		250	20	20	20	20	20	20	20	20	20	20	20	20	20	20	20	20	20	20	20	
	70 kA	320	20	20	20	20	20	20	20	20	20	20	20	20	20	20	20	20	20	20	20	
		400	20	20	20	20	20	20	20	20	20	20	20	20	20	20	20	20	20	20	20	
		500	20	20	20	20	20	20	20	20	20	20	20	20	20	20	20	20	20	20	20	
		630	-	20	20	20	20	-	20	20	20	-	20	20	20	-	20	20	20	20	20	
		250	20	20	20	20	20	20	20	20	20	20	20	20	20	20	20	20	20	20	20	
		320	20	20	20	20	20	20	20	20	20	20	20	20	20	20	20	20	20	20	20	
		400	20	20	20	20	20	20	20	20	20	20	20	20	20	20	20	20	20	20	20	
		500	20	20	20	20	20	20	20	20	20	20	20	20	20	20	20	20	20	20	20	
	100 kA	400	20	20	20	20	20	20	20	20	20	20	20	20	20	20	20	20	20	20	20	
		500	20	20	20	20	20	20	20	20	20	20	20	20	20	20	20	20	20	20	20	
		630	-	20	20	20	20	-	20	20	20	-	20	20	20	-	20	20	20	20	20	
		250	-	-	-	-	-	-	-	-	-	-	-	-	-	-	-	-	-	-	-	
		320	20	20	20	20	20	20	20	20	20	20	20	20	20	20	20	20	20	20	20	
		400	20	20	20	20	20	20	20	20	20	20	20	20	20	20	20	20	20	20	20	
		500	20	20	20	20	20	20	20	20	20	20	20	20	20	20	20	20	20	20	20	
		630	-	20	20	20	20	-	20	20	20	-	20	20	20	-	20	20	20	20	20	
DPX ³ 630 electronic release selector switch on "HIGH" S2, Sg	36, 50, 70, 100 kA	250	-	-	-	-	-	-	-	-	-	-	-	-	-	-	-	-	-	-		
		320	-	-	-	-	-	-	-	-	-	-	-	-	-	-	-	-	-	-		
		400	-	-	-	-	-	-	-	-	-	-	-	-	-	-	-	-	-	-		
		500	-	-	-	-	-	-	-	-	-	-	-	-	-	-	-	-	-	-		
		630	-	-	-	-	-	-	-	-	-	-	-	-	-	-	-	-	-	-		
		250	20	20	20	20	20	T	20	20	20	20	T	20	20	20	20	T	20	20	20	T
	50, 70, 100 kA	320	20	20	20	20	T	20	20	20	20	T	20	20	20	20	T	20	20	20	T	
		400	20	20	20	20	T	20	20	20	20	T	20	20	20	20	T	20	20	20	T	
		500	20	20	20	20	T	20	20	20	20	T	20	20	20	20	T	20	20	20	T	
		630	-	20	20	20	36	-	20	20	20	T	-	20	20	20	T	-	20	20	20	T
		250	20	20	20	20	36	20	20	20	20	36	20	20	20	20	36	20	20	20	20	36
		320	20	20	20	20	36	20	20	20	20	36	20	20	20	20	36	20	20	20	20	36
DPX ³ 1600 thermal magnetic	36 kA	400	20	20	20	36	20	20	20	20	36	20	20	20	20	36	20	20	20	20	36	
		500	20	20	20	20	36	20	20	20	36	20	20	20	20	36	20	20	20	20	36	
		630	-	20	20	20	36	-	20	20	20	36	-	20	20	20	36	-	20	20	20	36
		250	-	15	20	20	20	-	15	20	20	20	-	15	20	20	20	-	15	20	20	20
		800	-	-	20	20	20	-	-	20	20	20	-	-	20	20	20	-	-	20	20	20
		1000	-	-	-	20	20	-	-	20	20	20	-	-	20	20	20	-	-	20	20	20
	50 kA	1250	-	-	-	20	20	-	-	20	20	-	-	20	20	20	-	-	20	20	20	20
		630	-	15	20	20	20	-	15	20	20	20	-	15	20	20	20	-	15	20	20	20
		800	-	-	20	20	20	-	-	20	20	20	-	-	20	20	20	-	-	20	20	20
		1000	-	-	-	20	20	-	-	20	20	20	-	-	20	20	20	-	-	20	20	20
		1250	-	-	-	20	20	-	-	20	20	20	-	-	20	20	20	-	-	20	20	20
		630	-	15	20	20	20	-	15	20	20	20	-	15	20	20	20	-	15	20	20	20
70 kA	800	-	-	20	20	20	-	-	20	20	20	-	-	20	20	20	-	-	20	20	20	
	1000	-	-	-	20	20	-	-	20	20	20	-	-	20	20	20	-	-	20	20	20	
	1250	-	-	-	20	20	-	-	20	20	20	-	-	20	20	20	-	-	20	20	20	
	630	-	15	20	20	20	-	15	20	20	20	-	15	20	20	20	-	15	20	20	20	
	800	-	-	20	20	20	-	-	20	20	20	-	-	20	20	20	-	-	20	20	20	
	1000	-	-	-	20	20	-	-	20	20	20	-	-	20	20	20	-	-	20	20	20	
100 kA	1250	-	-	-	20	20	-	-	20	20	20	-	-	20	20	20	-	-	20	20	20	
	630	-	15	15	15	20	-	15	15	15	20	-	15	15	15	20	-	15	15	15	20	
	800	-	-	15	15	20	-	-	15	15	20	-	-	15	15	20	-	-	15	15	20	
	1000	-	-	-	15	20	-	-	15	15	20	-	-	15	15	20	-	-	15	15	20	
	1250	-	-	-	15	20	-	-	15	15	20	-	-	15	15	20	-	-	15	15	20	
	1600	-	-	-	15	20	-	-	15	15	20	-	-	15	15	20	-	-	15	15		

Selectivity tables MCCBs/MCBs

Downstream MCB	In (A)	Upstream MCCB																								
		DPX ³ 160 (16, 25, 36, 50 kA) with or without e.l.c.bs								DPX ³ 250 (25, 36, 50, 70 kA) with or without e.l.c.bs				DPX ³ 250 electronic release ⁽¹⁾ (25, 36, 50, 70 kA) with or without e.l.c.bs				DPX ³ 250 electronic release ⁽²⁾ (25, 36, 50, 70 kA) with or without e.l.c.bs				DPX ³ 630 (36, 50, 70, 100 kA)				
		16	25	40	63	80	100	125	160	100	160	200	250	40	100	160	250	40	100	160	250	250	320	400	500	630
DX ³ 10 kA C curves	≤ 6	T	T	T	T	T	T	T	T	T	T	T	T	T	T	T	T	T	T	T	T	T	T	T	T	T
	10	5	T	T	T	T	T	T	T	T	T	T	T	T	T	T	T	T	T	T	T	T	T	T	T	T
	13	-	T	T	T	T	T	T	T	T	T	T	T	8	T	T	T	8	T	T	T	T	T	T	T	T
	16	-	T	T	T	T	T	T	T	T	T	T	T	6	T	T	T	6	T	T	T	T	T	T	T	T
	20	-	5	5	5	5	6	T	T	8	T	T	T	5	8	T	T	5	8	T	T	T	T	T	T	T
	25	-	-	4.5	4.5	4.5	4.5	T	T	6	T	T	T	4	6	T	T	4	6	T	T	T	T	T	T	T
	32	-	-	-	3	4	4	T	T	5	T	T	T	-	5	T	T	-	5	T	T	T	T	T	T	T
	40	-	-	-	3	3	3	T	T	5	T	T	T	-	5	T	T	-	5	T	T	T	T	T	T	T
	50	-	-	-	-	3	3	5.5	7	4	8	T	T	-	4	8	T	-	4	8	T	T	T	T	T	T
	63	-	-	-	-	3	3	5	6	4	8	T	T	-	4	8	T	-	4	8	T	T	T	T	T	T
DX ³ 10 kA D curve	≤ 6	6	T	T	T	T	T	T	T	T	T	T	T	T	T	T	T	T	T	T	T	T	T	T	T	T
	10	5	7.5	7.5	7.5	T	T	T	T	T	T	T	T	T	T	T	T	T	T	T	T	T	T	T	T	T
	16	-	-	5	5	5	T	T	T	T	T	T	T	6	T	T	T	6	T	T	T	T	T	T	T	T
	20	-	-	4.5	4.5	4.5	6	T	T	8	T	T	T	5	8	T	T	5	8	T	T	T	T	T	T	T
	25	-	-	-	4.5	4	4.5	T	T	6	T	T	T	-	6	T	T	-	6	T	T	T	T	T	T	T
	32	-	-	-	3	3	4	T	T	5	T	T	T	-	5	T	T	-	5	T	T	T	T	T	T	T
	40	-	-	-	3	3	3	T	T	5	T	T	T	-	5	T	T	-	5	T	T	T	T	T	T	T
	50	-	-	-	-	3	3	5.5	7	4	8	T	T	-	4	8	T	-	4	8	T	T	T	T	T	T
	63	-	-	-	-	-	3	5	6	-	8	T	T	-	-	8	T	-	-	8	T	T	T	T	T	T
DX ³ 16 kA	≤ 6	6	12	12	T	T	T	T	T	T	T	T	T	T	T	T	T	T	T	T	T	T	T	T	T	T
	10	5	7	7	7	T	T	T	T	T	T	T	T	T	T	T	T	T	T	T	T	T	T	T	T	T
	16	-	6	6	6	6	T	T	T	T	T	T	T	7	T	T	T	7	T	T	T	T	T	T	T	T
	20	-	5	5	5	5	6	T	T	T	T	T	T	5	T	T	T	5	T	T	T	T	T	T	T	T
	25	-	-	4.5	4.5	4.5	4.5	8.5	T	T	T	T	T	4	T	T	T	4	T	T	T	T	T	T	T	T
	32	-	-	-	3	4	4	7	10	5	T	T	T	-	5	T	T	-	5	T	T	T	T	T	T	T
	40	-	-	-	3	3	3	6	8	5	T	T	T	-	5	T	T	-	5	T	T	T	T	T	T	T
	50	-	-	-	-	3	3	5.5	7	4	T	T	T	-	4	T	T	-	4	T	T	T	T	T	T	T
	63	-	-	-	-	3	3	5	6	4	T	T	T	-	4	T	T	-	4	T	T	T	T	T	T	T
	80	-	-	-	-	-	-	5	6	4	T	T	T	-	4	T	T	-	4	T	T	T	T	T	T	T
	100	-	-	-	-	-	-	-	5	-	T	T	T	-	-	T	T	-	-	T	T	T	T	T	T	T
125	-	-	-	-	-	-	-	3	-	T	T	T	-	-	T	T	-	-	T	T	T	T	T	T	T	

T = total selectivity, up to downstream circuit breaker breaking capacity, according to IEC 60947-2
 1: Electronic release, selector switch on "HIGH" - 2: Electronic release, selector switch on "LOW"

	DPX ³ 630 electronic release ⁽¹⁾ S2, Sg (36, 50, 70, 100 kA)					DPX ³ 630 electronic release ⁽²⁾ S2, Sg (36, 50, 70, 100 kA)					DPX ³ 1600 (36, 50, 70, 100 kA)				DPX ³ 1600 electronic release ⁽¹⁾ S1, S2, Sg (36, 50, 70, 100 kA)					DPX ³ 1600 electronic release ⁽²⁾ S1, S2, Sg (36, 50, 70, 100 kA)				
	250	320	400	500	630	250	320	400	500	630	630	800	1000	1250	630	800	1000	1250	1600	630	800	1000	1250	1600
	T	T	T	T	T	T	T	T	T	T	T	T	T	T	T	T	T	T	T	T	T	T	T	
	T	T	T	T	T	T	T	T	T	T	T	T	T	T	T	T	T	T	T	T	T	T	T	
	T	T	T	T	T	T	T	T	T	T	T	T	T	T	T	T	T	T	T	T	T	T	T	
	T	T	T	T	T	T	T	T	T	T	T	T	T	T	T	T	T	T	T	T	T	T	T	
	T	T	T	T	T	T	T	T	T	T	T	T	T	T	T	T	T	T	T	T	T	T	T	
	T	T	T	T	T	T	T	T	T	T	T	T	T	T	T	T	T	T	T	T	T	T	T	
	T	T	T	T	T	T	T	T	T	T	T	T	T	T	T	T	T	T	T	T	T	T	T	
	T	T	T	T	T	T	T	T	T	T	T	T	T	T	T	T	T	T	T	T	T	T	T	
	T	T	T	T	T	T	T	T	T	T	T	T	T	T	T	T	T	T	T	T	T	T	T	
	T	T	T	T	T	T	T	T	T	T	T	T	T	T	T	T	T	T	T	T	T	T	T	
	T	T	T	T	T	T	T	T	T	T	T	T	T	T	T	T	T	T	T	T	T	T	T	
	T	T	T	T	T	T	T	T	T	T	T	T	T	T	T	T	T	T	T	T	T	T	T	
	T	T	T	T	T	T	T	T	T	T	T	T	T	T	T	T	T	T	T	T	T	T	T	
	T	T	T	T	T	T	T	T	T	T	T	T	T	T	T	T	T	T	T	T	T	T	T	
	T	T	T	T	T	T	T	T	T	T	T	T	T	T	T	T	T	T	T	T	T	T	T	
	T	T	T	T	T	T	T	T	T	T	T	T	T	T	T	T	T	T	T	T	T	T	T	
	T	T	T	T	T	T	T	T	T	T	T	T	T	T	T	T	T	T	T	T	T	T	T	
	T	T	T	T	T	T	T	T	T	T	T	T	T	T	T	T	T	T	T	T	T	T	T	
	T	T	T	T	T	T	T	T	T	T	T	T	T	T	T	T	T	T	T	T	T	T	T	
	T	T	T	T	T	T	T	T	T	T	T	T	T	T	T	T	T	T	T	T	T	T	T	

Selectivity tables MCCBs/MCBs (continued)

Downstream MCB	In (A)	Upstream MCCB																								
		DPX ³ 160 (16, 25, 36, 50 kA) with or without e.l.c.bs								DPX ³ 250 (25, 36, 50, 70 kA) with or without e.l.c.bs				DPX ³ 250 electronic release ⁽¹⁾ (25, 36, 50, 70 kA) with or without e.l.c.bs				DPX ³ 250 electronic release ⁽²⁾ (25, 36, 50, 70 kA) with or without e.l.c.bs				DPX ³ 630 (36, 50, 70, 100 kA)				
		16	25	40	63	80	100	125	160	100	160	200	250	40	100	160	250	40	100	160	250	250	320	400	500	630
DX ³ 16 kA direct current	≤ 6	6	12	12	T	T	T	T	T	-	-	-	-	-	-	-	-	-	-	-	-	T	T	T	T	T
	8	6	12	12	T	T	T	T	T	-	-	-	-	-	-	-	-	-	-	-	-	T	T	T	T	T
	10	5	7	7	7	T	T	T	T	-	-	-	-	-	-	-	-	-	-	-	-	T	T	T	T	T
	16	-	6	6	6	6	T	T	T	-	-	-	-	-	-	-	-	-	-	-	-	T	T	T	T	T
	20	-	5	5	5	5	6	T	T	-	-	-	-	-	-	-	-	-	-	-	-	T	T	T	T	T
	25	-	-	3.5	3.5	4.5	4.5	8.5	T	-	-	-	-	-	-	-	-	-	-	-	-	T	T	T	T	T
	32	-	-	-	3	4	4	7	10	-	-	-	-	-	-	-	-	-	-	-	-	T	T	T	T	T
	40	-	-	-	3	3	3	6	8	-	-	-	-	-	-	-	-	-	-	-	-	T	T	T	T	T
	50	-	-	-	-	3	3	5.5	7	-	-	-	-	-	-	-	-	-	-	-	-	T	T	T	T	T
63	-	-	-	-	3	3	5	6	-	-	-	-	-	-	-	-	-	-	-	-	T	T	T	T	T	
DX ³ 25 kA	≤ 6	T	T	T	T	T	T	T	T	T	T	T	T	T	T	T	T	T	T	T	T	T	T	T	T	T
	10	T	T	T	T	T	T	T	T	T	T	T	T	T	T	T	T	T	T	T	T	T	T	T	T	T
	16	-	T	T	T	T	T	T	T	T	T	T	T	T	T	T	T	T	T	T	T	T	T	T	T	T
	20	-	-	T	T	T	T	T	T	T	T	T	T	T	T	T	T	T	T	T	T	T	T	T	T	T
	25	-	-	T	T	T	T	T	T	T	T	T	T	T	T	T	T	T	T	T	T	T	T	T	T	T
	32	-	-	-	T	T	T	T	T	T	T	T	T	-	T	T	T	-	T	T	T	T	T	T	T	T
	40	-	-	-	T	T	T	T	T	T	T	T	T	-	T	T	T	-	T	T	T	T	T	T	T	T
	50	-	-	-	4	4	5	10	10	20	T	T	T	-	20	T	T	-	20	T	T	T	T	T	T	T
	63	-	-	-	-	3	5	10	10	15	T	T	T	-	15	T	T	-	15	T	T	T	T	T	T	T
	80	-	-	-	-	-	-	5	6	4	T	T	T	-	4	T	T	-	4	T	T	T	T	T	T	T
	100	-	-	-	-	-	-	-	5	-	T	T	T	-	-	T	T	-	-	T	T	T	T	T	T	T
125	-	-	-	-	-	-	-	3	-	T	T	T	-	-	T	T	-	-	T	T	T	T	T	T	T	
DX ³ 50 kA	10	T	T	T	T	T	T	T	T	-	-	-	-	-	-	-	-	-	-	-	-	T	T	T	T	T
	16	-	T	T	T	T	T	T	T	-	-	-	-	-	-	-	-	-	-	-	-	T	T	T	T	T
	20	-	-	T	T	T	T	T	T	-	-	-	-	-	-	-	-	-	-	-	-	T	T	T	T	T
	25	-	-	36	T	T	T	T	T	-	-	-	-	-	-	-	-	-	-	-	-	T	T	T	T	T
	32	-	-	-	T	T	T	T	T	-	-	-	-	-	-	-	-	-	-	-	-	T	T	T	T	T
	40	-	-	-	T	T	T	T	T	-	-	-	-	-	-	-	-	-	-	-	-	T	T	T	T	T
	50	-	-	-	-	4	5	10	10	-	-	-	-	-	-	-	-	-	-	-	-	T	T	T	T	T
63	-	-	-	-	-	5	10	10	-	-	-	-	-	-	-	-	-	-	-	-	T	T	T	T	T	

T = total selectivity, up to downstream circuit breaker breaking capacity, according to IEC 60947-2
 1: Electronic release, selector switch on "HIGH" - 2: Electronic release, selector switch on "LOW" - 3: 36 kA for DPX³ 630 & 1600 36 kA upstream / T for DPX³ 630 & 1600 50, 70, 100 kA upstream

Automatic transfer switch **DPX³**

Maintaining continuity of supply becomes crucial especially at places where even a small delay in supply could result huge losses. The DPX³ range of MCCBs can be efficiently used as an Automatic Transfer Switch at places that require instant power switching. When connected with the microprocessor control box (line changeover unit) it gives you the flexibility to manage that automatic changeover between two supply lines effectively with remote controls.



NON-AUTOMATIC

Manual -
When an operator manually
performs the changeover

AUTOMATIC

When the changeover is made
automatically using motorised
MCCB & Microprocessor
Control Box.
When an operator organises
the changeover from a remote
location using motorised
MCCBs and push button.

DPX³

automatic transfer switch



DPX³

automatic transfer switch



6253 93

Pack	Cat.Nos	DPX ³ ready-to-install ATS kit without MCCBs
1	6253 80AA	Complete kit assembly for DPX ³ 160
1	6253 80AB	Complete kit assembly for DPX ³ 160 & DPX ³ 250
1	6253 80BB	Complete kit assembly for DPX ³ 250
1	6253 93	Kit assembly for ATS for DPX ³ 160
1	6253 94	Kit assembly for ATS for DPX ³ 250
1	6253 95	Kit assembly for ATS for DPX ³ 630

MRP*
₹ per Unit

-
-
-
-
-
-

■ Price available on request.

Technical data

Handling continuity problems efficiently

Maintaining continuity of supply becomes crucial especially at places where even a small delay in supply could result in huge losses. The DPX range of MCCBs can be efficiently used as an Automatic Transfer Switch at places that require instant power switching. When connected with the microprocessor control box (line changeover unit) it gives you the flexibility to manage the automatic changeover between two supply lines effectively with remote controls.

Line changeover systems

Manual line changeover

The standard installation may be carried out by using manually operated DPX circuit breakers in fixed version, combined with mechanical interlocks. The mechanical interlock between DPX circuit breakers consists of a support plate on which two circuit breakers are arranged side-by-side. For particular versions (plug-in or draw-out version between two or more circuit breakers), special interlocks with factory pre-setting are available against order.

Motorised controlled line changeover

The electrically controlled line changeover may be carried out by using interlocked DPX circuit breakers equipped with remote controls.

Automatic line changeover

Automatic line changeover is the most advanced and flexible solution. This system is carried out by combining the components used for the electrically controlled line changeover with the microprocessor control box. This device allows to manage the automatic changeover between two supply sources with simple programming while safety requirements are never compromised.

Microprocessor control box



General characteristics

Microprocessor Control Box allows to manage the automatic changeover between two supply lines with maximum flexibility. The microprocessor device with microprocessor is very compact (144 x 144 mm).

Yet, it is able to perform a large number of functions such as :

- Quick acquisition of voltage levels
- Effective value of line voltage check
- Selection of operating mode (auto/man/test/off)
- Selection of voltage thresholds
- Selection of changeover time
- Display of selected parameters (voltage and time)
- Alarm display
- Starting signal to DG, can be given, in case of primary source failure
- Manual changeover line 1/ line 2
- Lockout of simultaneous switching over between lines
- Diagnostic test

Technical characteristics

- Setting of voltage thresholds on main and secondary line to check between 0.7 and 1Ue (280 - 400 V AC)
- Two models, depending on the supply voltages -230 V AC, 24 V DC
- Changeover time from main line to secondary line 0.5 to 30 s
- Main line resetting time 4 s
- 3-digit data display
- LED - signalling the operating state
- Outgoing relay changeover contacts rating (line circuit breakers control) 16 A 230 V in AC
- Alarm contact rating - 5 A 230 V in AC
- External connections with flexible cable max. 2.5 mm²
- Operating temperature : 0 to 60 °C
- Self-extinguishing polycarbonate casing with sealable transparent shield
- Front degree of protection IP 41 without shield, IP 54 with shield
- Flush-mounting version (144 x 144 mm)


Standard manual changeover switches
General characteristics

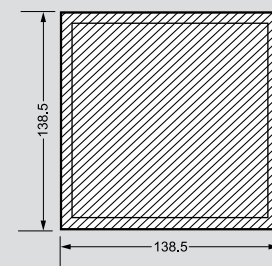
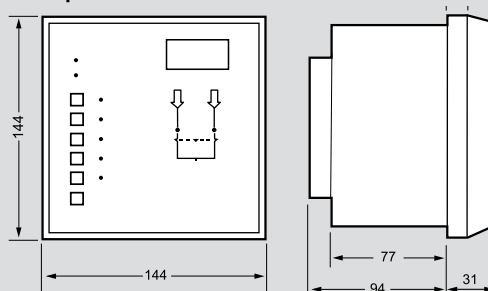
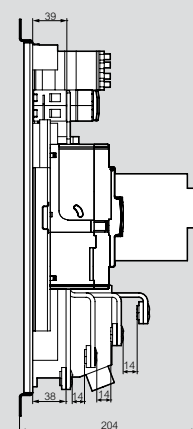
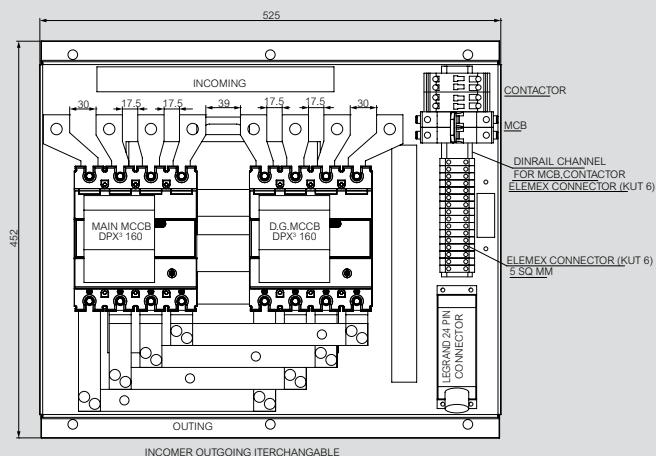
The manual changeover switches consist of separate parts that have to be assembled by the user or that may be factory assembled.

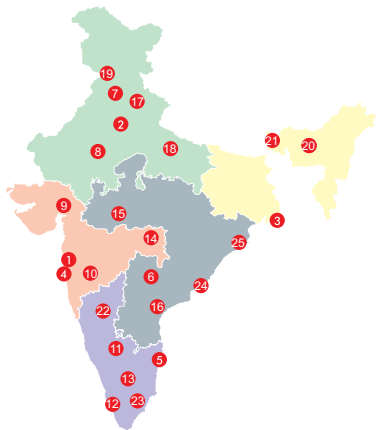
The changeover set for DPX³ circuit breakers consists of support plates equipped with a rocking mechanical

interlock on which the circuit breakers in their different versions are fixed.

Standard mechanical interlocks

All fixed version DPX³ circuit breakers with front or rear terminals, except DPX³ 125 circuit breakers, may be equipped with standard mechanical interlock. They may be equipped with remote controls or with rotary handles.

Dimensions
Microprocessor control box

Ready to install ATS DPX³ 160 & DPX³ 250 frame sizes




Head office

- 61 & 62, 6th Floor,
Kalpataru Square, Kondivita Road,
Off Andheri-Kurla Road, Andheri (E),
MUMBAI - 400 059.
Tel : (022) 3041 6200
Fax : (022) 3041 6201
Website : www.legrand.co.in

Regional sales offices

- A-25, Mohan Co-operative
Industrial Estate, Mathura Road,
NEW DELHI - 110 044.
Tel : (011) 2699 0028 / 29 / 30, 3990 2200
Fax : (011) 2699 0047
- Bhakta Towers, 2nd & 3rd Floor,
Plot No. KB 22, Salt Lake, Sector - 3,
KOLKATA - 700 098.
Tel : (033) 4021 3535 / 36
Fax : (033) 4021 3537
- 34, 3rd Floor, Kalpataru Square,
Kondivita Road, Off Andheri-Kurla Road,
Andheri (East),
MUMBAI - 400 059.
Tel : (022) 3385 6200
Fax : (022) 3385 6201
- Gee Gee Universal,
8th Floor, Door No. 2, 18/1 & 18/2,
McNichols Road, Chetput,
CHENNAI - 600 031.
Tel : (044) 3024 7200, 2836 4165 / 67 / 68
Fax : (044) 2836 4169
- 205-208, 2nd Floor, Block - II,
White House, Kundan Bagh, Begumpet,
HYDERABAD - 500 016.
Tel : (040) 2341 4398 / 67, 4567 1717
Fax : (040) 6636 6974

Branch offices

- SCO 1-2-3,
Second Floor, Sector 17B,
CHANDIGARH - 160 017.
Tel : (0172) 305 8631 / 32 / 33 / 34 / 35
Fax : (0172) 501 9008
- 507-510, Vth Floor, Soni Paris Point,
Jai Singh Highway, Banipark,
JAIPUR - 302 016.
Telefax : (0141) 511 3129
- 504, Sakar IV,
Opp. M. J. Library, Ellis Bridge,
AHMEDABAD - 380 006. Gujarat
Tel : (079) 2658 6561 / 2
Fax : (079) 2658 6563
- 402, Swastik Chambers,
Near Ashwamegh Marriage Hall,
Behind HP Petrol Pump,
Off Karve Road, Erandwane,
PUNE - 411 004.
Tel : (020) 6729 5600 / 601
Fax : (020) 6729 5604
- 11nd Floor, Al-Latheef Building,
2/1, Union Street, Off. Infantry Road,
BANGALORE - 560 001.
Tel : (080) 2286 1081, 4113 3293 / 4
Fax : (080) 2286 1078
- No. 36/2178, Syda Building, 2nd Floor,
Kaloor - Kadavanthra Road, Kaloor,
KOCHI - 682 017.
Tel : (0484) 234 2921, 658 0921
Fax : (0484) 233 3921
- B-15, Thirumalai Towers,
IV-D, Fourth Floor,
723, Avanashi Road,
COIMBATORE - 641 018.
Tel : (0422) 650 2728, 222 3634 / 0283
Fax : (0422) 222 3164
- Plot No.95, II Floor, Shreyash Heights,
Ramdas Peth, VIP Road,
NAGPUR - 440 010.
Tel : (0712) 662 7857 / 58
Fax : (0712) 662 7859
- 204-205, Megapolis Square,
579, M G Road,
INDORE - 452 001.
Tel : (0731) 393 1650 / 51 / 52
Fax : (0731) 393 1653
- MF-2, Datta's Lords House,
Jammi Chettu Street,
VIJAYAWADA - 520 010.
Tel : (0866) 661 1393, 664 6393
Fax : (0866) 669 9393

Area offices

- ABC Business Club 16,
Tagore Villa, Chakrata Road,
DEHRADUN - 248 001.
Uttaranchal.
Tel : (0135) 271 5189 / 248 001
- Cabin No.104/105,
Trade Point,
Ground Floor,
Saran Chamber 1,
5, Park Road, Hazratganj,
LUCKNOW - 226 001.
Tel : (0522) 223 9044 / 7285
Fax : (0522) 223 9124
- Cabin No. 9,
Second Floor,
Madhok Trade Centre,
Madhok Complex,
Ferozpur Road,
LUDHIANA - 141 001.
Tel/Fax No.: (0161) 277 0301 / 304
- House No. 97, Ground Floor,
Rajgarh Main Road,
Opp. City Heart Nursing Home,
GUWAHATI - 781 007.
Tel : (0361) 245 8498
- 94, Udham Singh Sarani,
Ground Floor, Ashrampara,
SILIGURI - 734 001.
Tel : 94341 91635 / 98009 77780
- Prime Plaza, 2nd Floor, 1st Main,
Girls High School Road,
Near PNB, Deshpande Nagar,
HUBLI - 580 029.
Mobile Nos: 98807 64338 / 98807 64339
- Aparna Towers, 1st Floor,
2/3, Bypass Road,
MADURAI - 625 010.
Telefax : (0452) 230 8414
- 404, Eshwar Plaza,
Dwaraka Nagar, Main Road,
VISHAKHAPATNAM - 530 020.
Tel : (0891) 663 5652
Fax : (0891) 663 9363
- Plot No. 359,
Saheed Nagar, 2nd Floor,
BHUBANESWAR - 751 007.
Tel : (0674) 254 0623

Technical assistance from Legrand

Telephonic technical assistance for selection of products, technical information, guidance, wiring diagrams and estimation is now made available to you at each Regional Office. Contact the Technical Officer of Legrand at the following telephone numbers

- New Delhi** : Tel.: (011) 2699 0028, 3990 2200
Kolkata : Tel.: (033) 4021 3535 / 36
Mumbai : Tel.: (022) 3385 6200
Chennai : Tel.: (044) 3024 7200, 2836 4165 / 67 / 68
Hyderabad : Tel.: (040) 2341 4398 / 67, 4567 1717

For other places, contact the nearest
Regional / Branch / Area offices

customer.care@legrand.co.in

