

Futura / Portas / Bopult



Detailed product information can be found on
www.bopla.de



- 11 variants
- Depending on the version, the lids can be turned by 180°
- T 900 with collapsible display area

Colour:

Depending on the model: light grey, similar to RAL 7035 or black, similar to RAL 9005

Protection class:

Depending on the model: IP 40/DIN EN 60529 or IP 54/DIN EN 60529

Enclosure material:

ABS; for details see Technical Information

These desktop enclosures are distinguished by their ergonomic design



All F versions, and also enclosure BP 810 are equipped with a 1 mm recessed membrane keypad area.



The RO versions: Plug-in aluminium panel for easy processing or separate mounting of interfaces.



The T 900 enclosure has a collapsible display area on the lid.



Futura: Enclosure consisting of two identical half-shells which can be used as a console enclosure or desktop enclosure when turned by 180°.



Futura: Because of a prepared sealing contour in the half-shells, the enclosures can be upgraded to IP 54.



Bopult: The PCB is retained by the screwing of the enclosure half-shells (no additional screwing necessary).

Futura | Enclosures



Desktop enclosure with membrane keypad area

Model	Order no.	A	B	C	b1	c1	Note
T 888 F	47888200	275	195	48	7°	36,3	IP 40; IP 54 on request
T 889 F	47889200	132	170	44,9	7°	34,7	IP 40; IP 54 on request
T 898	47898000	151	195	48	7°	36,3	IP 40; IP 54 on request
T 898 F	47898200	151	195	48	7°	36,3	IP 40; IP 54 on request
T 899	47899001	125	150	30,7	6°	22,8	IP 54

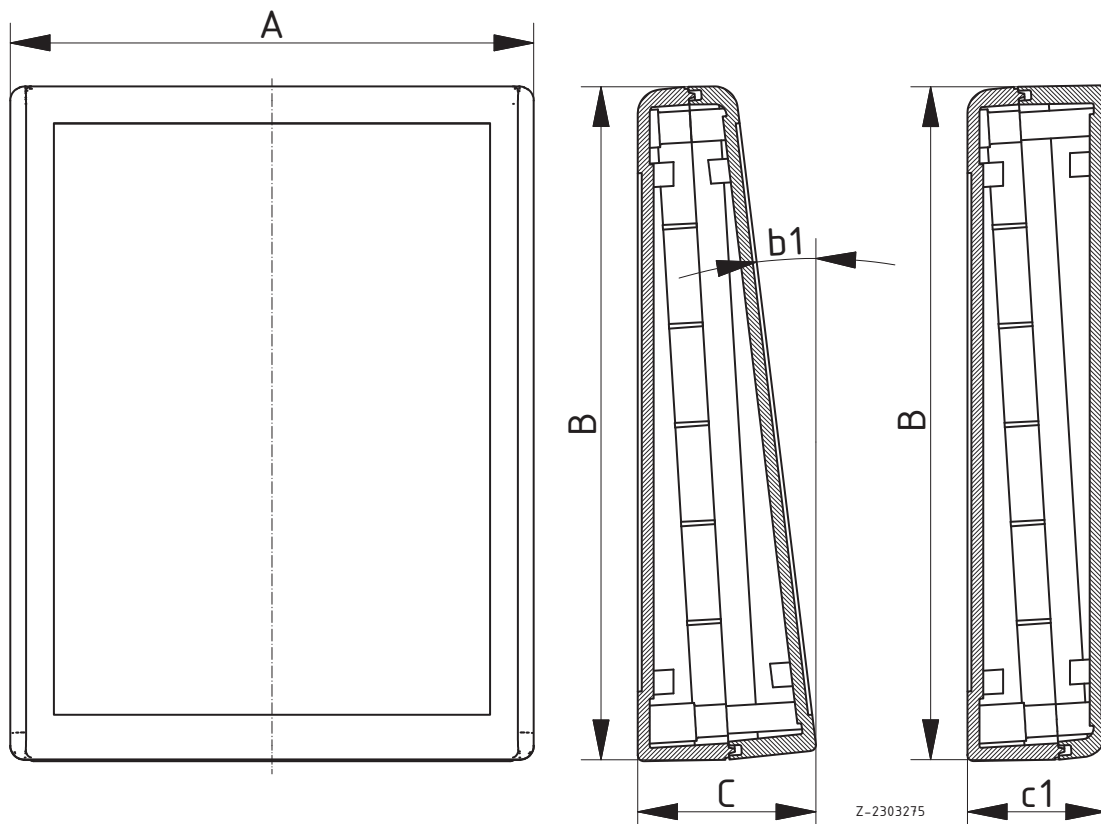
Scope of delivery: Lid and base, screws, rubber feet



Desktop enclosure with membrane keypad area and plug-in rear panel, natural-coloured anodised aluminium

Model	Order no.	A	B	C	b1	Note
T 898 RO	47898100*	151	195	48	7°	IP 40
T 898 F-RO	47898300	151	195	48	7°	IP 40

Scope of delivery: Lid and base, screws, aluminium rear panel, rubber feet

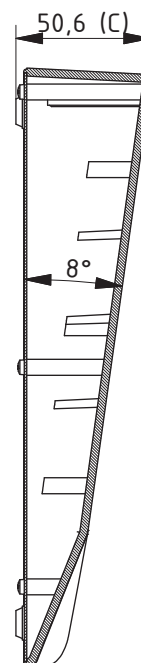
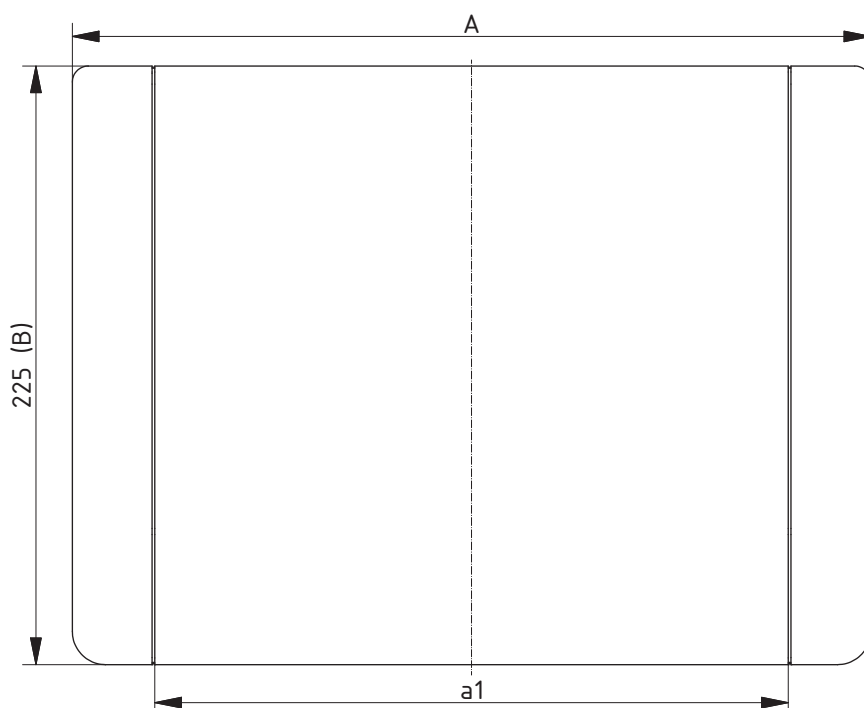


Futura | Enclosures

Desktop enclosure with ball-of-the-thumb rest and separate sheet steel baseplate

Model	Order no.	A	B	C	a1	Note
T 890	47890001	300	225	50,6	238	IP 40
T 893	47893001	500	225	50,6	438	IP 40

Scope of delivery: Lid, baseplate, screws, rubber feet



Z-2303276

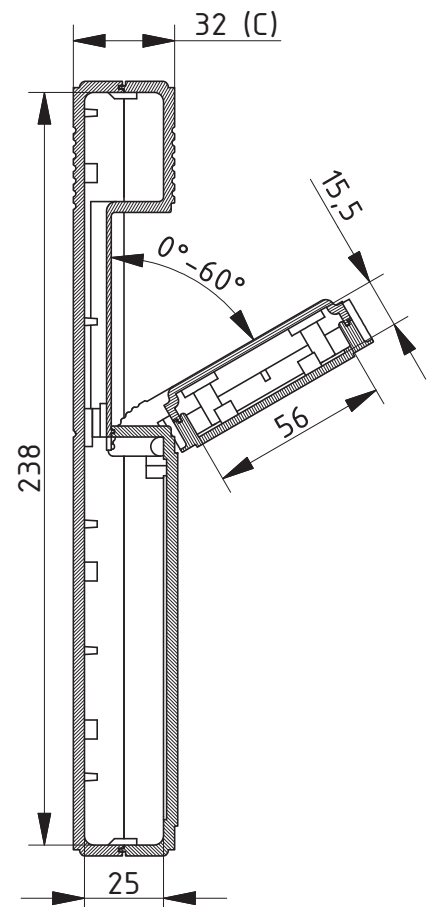
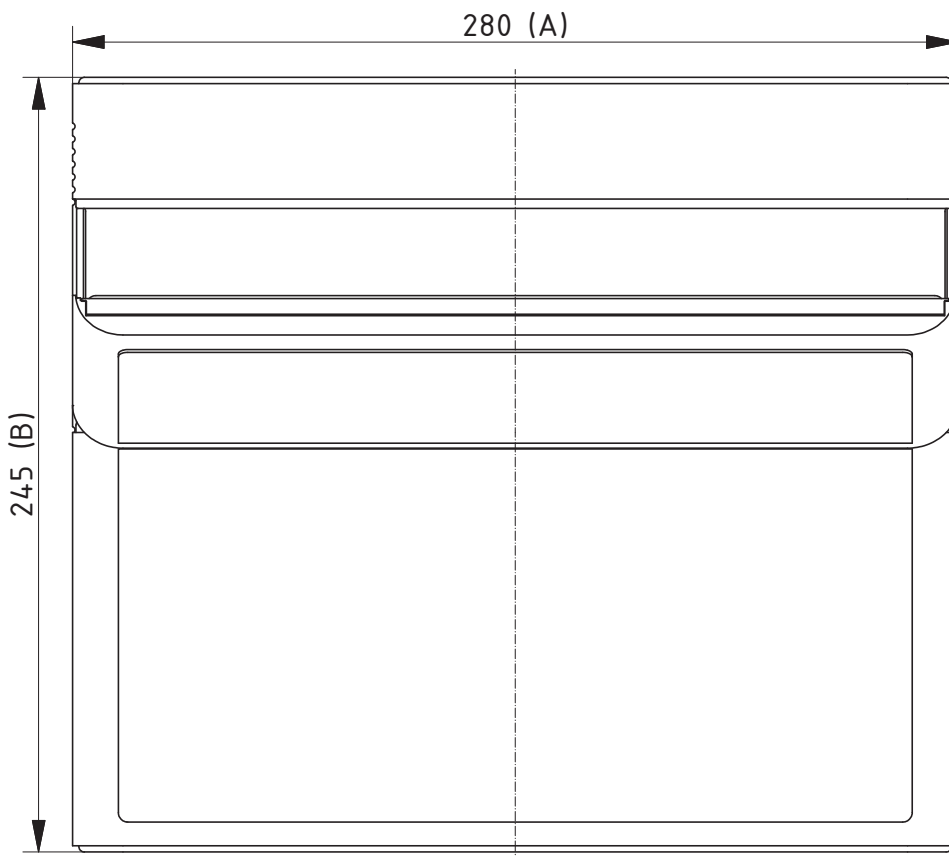
Portas | Enclosures



Desktop enclosure with hinged display section

Model	Order no.	A	B	C	Note
T 900	47900000	280	245	32	IP 40

Scope of delivery: Lid and base including display section, screws



Z-2303277

Bopult | Enclosures

Console enclosure

Model	Order no.	A	B	C	Note
BP 810	45810000	106	176	54,3	IP 40

Scope of delivery: Lid and base, fixing screws, front panel, rubber feet

Note: The PCB is clamped between lid and base

