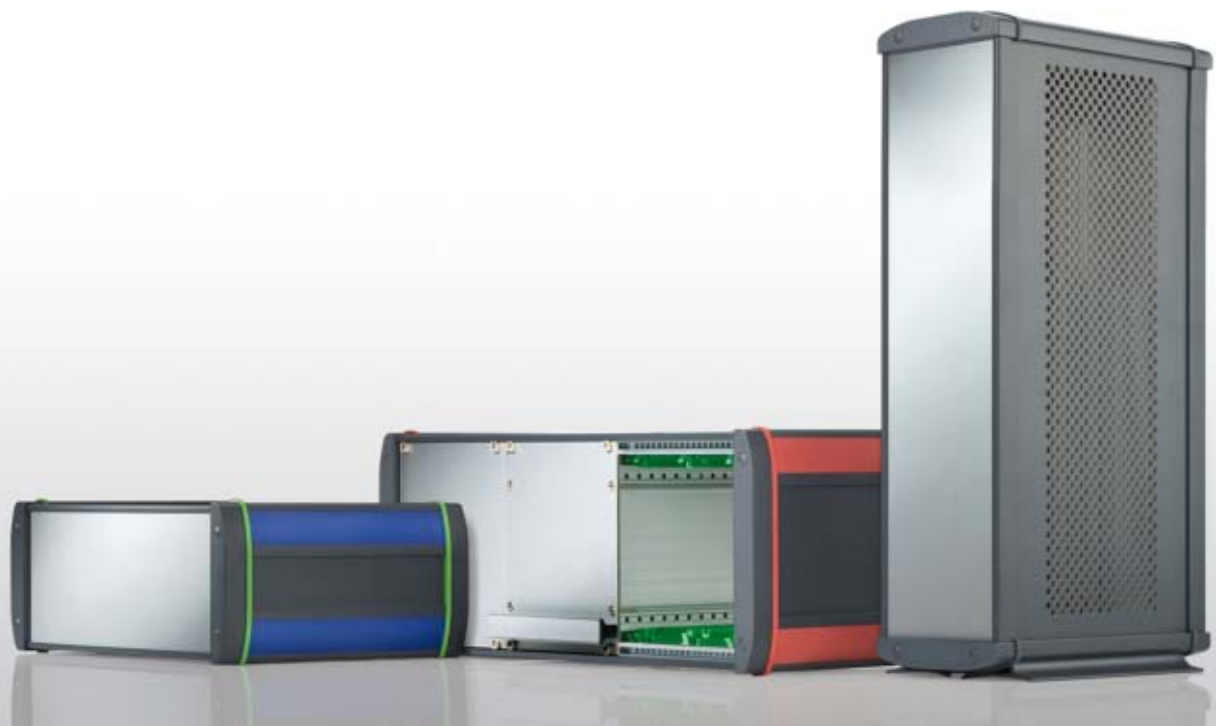


Intertego



Detailed product information can be found on www.bopla.de



- 3 heights
- Length and width are individually adjustable
- 27 standard dimensions ex warehouse
- Aluminium baseplates and top covers
- Good EMC characteristics as standard
- Higher shielding values possible with accessories
- Installation of 19" components possible
- For use as 19" chassis
- Comprehensive range of accessories

Colour:

Graphite grey, similar to RAL 7024; special colours on request

Protection class:

IP 40/DIN EN 60529; with ventilation (ADL) IP 20/DIN EN 60529

Enclosure material:

Profiles: Al Mg Si 0.5; diecast corners: zinc alloy Z410; seal: TPE. For details see Technical Information.

Elegant design and flexible construction are the main features of this metal enclosure



Intertego is suitable for use as 19" enclosures. For EMC accessories, see the end of the chapter.



The enclosure's EMC properties can be optimised by the use of special EMC components.



Wall angles or fittings make possible wall mounting in two positions.



The lateral system groove is used, for example, to hold decor strips for a colourful design.



A tower foot is available as an accessory for vertical use of the enclosure.



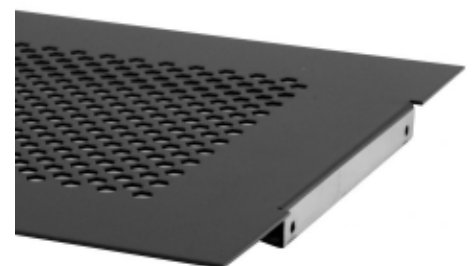
Tip-up feet are available as accessories and ensure that the enclosure stands securely on a desktop.



Optional handle shells can be fitted in the side profiles to make transporting the enclosure easy.



The optional handle – matched to the relevant enclosure size – also makes it easy to transport the enclosure.



Different versions of cover plates and front panels make it possible to use the enclosure for a range of applications.

Intertego | Enclosures

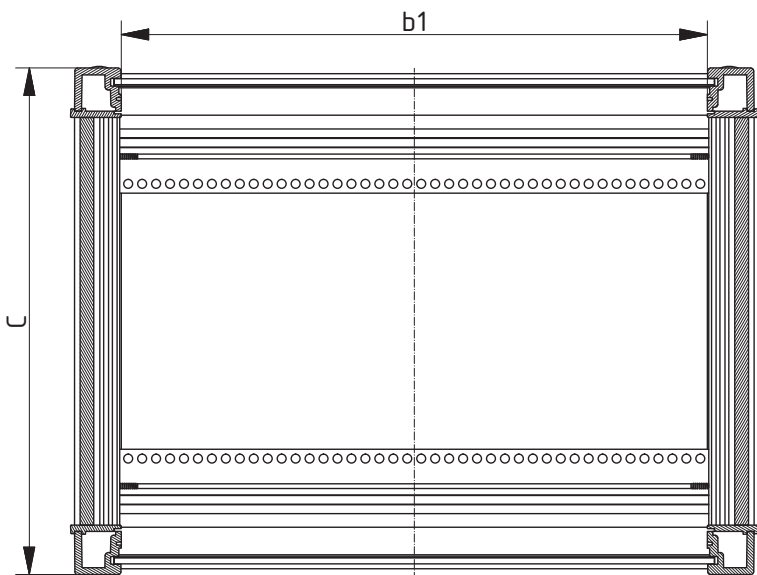
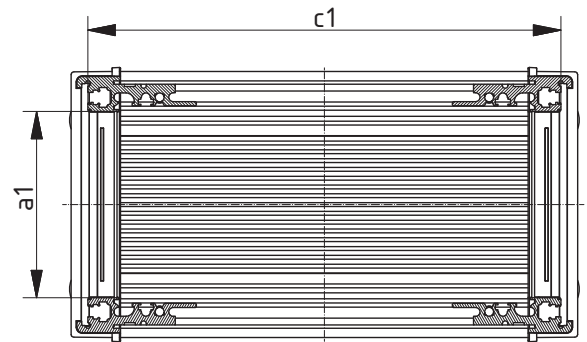
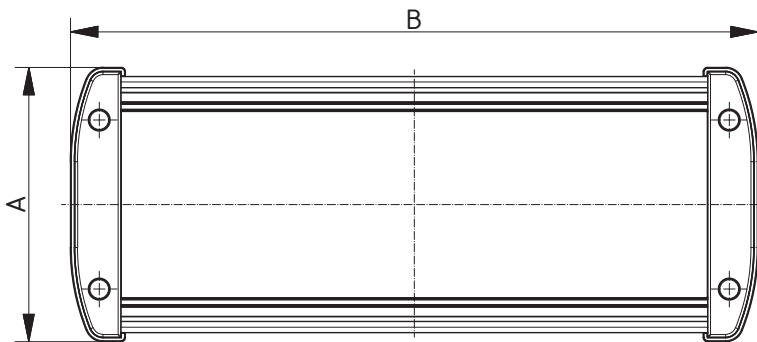
Enclosure profile sets 2 U, 3 U, 4 U



Model	Order no.	A	B	C	a1	b1	c1	U	HP
IT 102520	95102520	99,85	250,36	184,4	67,85	213,36	172,2	2	42
IT 102525	95102525	99,85	250,36	244,4	67,85	213,36	232,2	2	42
IT 102530	95102530	99,85	250,36	304,4	67,85	213,36	292,2	2	42
IT 103520	95103520	99,85	357,04	184,4	67,85	320,04	172,2	2	63
IT 103525	95103525	99,85	357,04	244,4	67,85	320,04	232,2	2	63
IT 103530	95103530	99,85	357,04	304,4	67,85	320,04	292,2	2	63
IT 104520	95104520	99,85	463,72	184,4	67,85	426,72	172,2	2	84
IT 104525	95104525	99,85	463,72	244,4	67,85	426,72	232,2	2	84
IT 104530	95104530	99,85	463,72	304,4	67,85	426,72	292,2	2	84
IT 152520	95152520	144,3	250,36	184,4	112,3	213,36	172,2	3	42
IT 152525	95152525	144,3	250,36	244,4	112,3	213,36	232,2	3	42
IT 152530	95152530	144,3	250,36	304,4	112,3	213,36	292,2	3	42
IT 153520	95153520	144,3	357,04	184,4	112,3	320,04	172,2	3	63
IT 153525	95153525	144,3	357,04	244,4	112,3	320,04	232,2	3	63
IT 153530	95153530	144,3	357,04	304,4	112,3	320,04	292,2	3	63
IT 154520	95154520	144,3	463,72	184,4	112,3	426,72	172,2	3	84
IT 154525	95154525	144,3	463,72	244,4	112,3	426,72	232,2	3	84
IT 154530	95154530	144,3	463,72	304,4	112,3	426,72	292,2	3	84
IT 202520	95202520	188,75	250,36	184,4	156,75	213,36	172,2	4	42
IT 202525	95202525	188,75	250,36	244,4	156,75	213,36	232,2	4	42
IT 202530	95202530	188,75	250,36	304,4	156,75	213,36	292,2	4	42
IT 203520	95203520	188,75	357,04	184,4	156,75	320,04	172,2	4	63
IT 203525	95203525	188,75	357,04	244,4	156,75	320,04	232,2	4	63
IT 203530	95203530	188,75	357,04	304,4	156,75	320,04	292,2	4	63
IT 204520	95204520	188,75	463,72	184,4	156,75	426,72	172,2	4	84
IT 204525	95204525	188,75	463,72	244,4	156,75	426,72	232,2	4	84
IT 204530	95204530	188,75	463,72	304,4	156,75	426,72	292,2	4	84

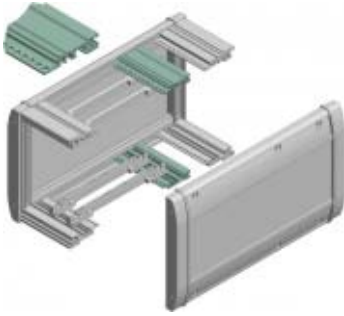
Scope of delivery: 2 side profiles, 4 front profiles, 4 diecast corners, 4 decor elements, dark grey, mounting material

Note: Special sizes on request. Accessories (EMC, 19", ...) see following pages, and in the Interzoll and Interzoll Modul chapters.



Z-2803297

Intertego | 19" profiles

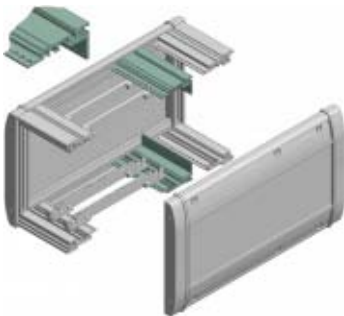


Bus profiles, natural-coloured anodised aluminium, for fitting of standard backplanes

Model	Order no.	Note
ITPB 002500	95300025	For IT ..25..
ITPB 003500	95300035	For IT ..35..
ITPB 004500	95300045	For IT ..45..

Scope of delivery: 2 profiles including mounting material

Note: Mechanical processing of the side profiles in accordance with the depth of the circuit board is required before the profiles are fitted. EMC cover plates must be cut off in the area of the lateral contact lugs in accordance with the mounting position. Processing and special lengths on request. Card guides, part front panels, insulating strips, tapped strips and additional 19" components are contained in the Interzoll accessories chapter.



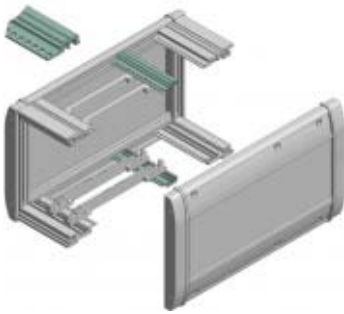
Rear profiles, natural-coloured anodised aluminium, with integrated Z-rail for connectors acc. to DIN EN 60603-2 (formerly DIN 41612)

Model	Order no.	Note
ITPR 002500	95302500	For IT ..25..
ITPR 003500	95303500	For IT ..35..
ITPR 004500	95304500	For IT ..45..

Scope of delivery: 2 profiles including mounting material

Note: Mechanical processing of the side profiles in accordance with the depth of the circuit board is required before the profiles are fitted. EMC cover plates must be cut off in the area of the lateral contact lugs in accordance with the mounting position. Processing and special lengths on request.

Card guides, part front panels and additional 19" components are contained in the Interzoll chapter.



Snap profiles, natural-coloured anodised aluminium, for holding the card guides

Model	Order no.	Note
ITRP 002500	95400025	For IT ..25..
ITRP 003500	95400035	For IT ..35..
ITRP 004500	95400045	For IT ..45..

Scope of delivery: 2 profiles including mounting material

Note: Mechanical processing of the side profiles in accordance with the depth of the circuit board is required before the profiles are fitted. EMC cover plates must be cut off in the area of the lateral contact lugs in accordance with the mounting position. Processing and special lengths on request.

Card guides, part front panels and additional 19" components are contained in the Interzoll chapter.

Intertego | Accessories

Decor strips, TPE

Model	Order no.	Colour	Note
IT 000020 DS-dunkelgrau	95011120	Dark grey	For IT....20
IT 000020 DS-rot	95011220	Red	For IT....20
IT 000020 DS-grün	95011320	Green	For IT....20
IT 000020 DS-orange	95011420	Orange	For IT....20
IT 000020 DS-blau	95011520	Blue	For IT....20
IT 000025 DS-dunkelgrau	95011125	Dark grey	For IT....25
IT 000025 DS-rot	95011225	Red	For IT....25
IT 000025 DS-grün	95011325	Green	For IT....25
IT 000025 DS-orange	95011425	Orange	For IT....25
IT 000025 DS-blau	95011525	Blue	For IT....25
IT 000030 DS-dunkelgrau	95011130	Dark grey	For IT....30
IT 000030 DS-rot	95011230	Red	For IT....30
IT 000030 DS-grün	95011330	Green	For IT....30
IT 000030 DS-orange	95011430	Orange	For IT....30
IT 000030 DS-blau	95011530	Blue	For IT....30

Scope of delivery: 4 decor strips (for 1 enclosure)

Note: Mounting in the side system grooves. Special lengths up to max. 310 mm on request. As an alternative, individually printed membranes can be used.



Decor elements, TPE

Model	Order no.	Colour	Note
IT 100000 DE-rot	95102201	Red	For IT 10....
IT 100000 DE-grün	95102301	Green	For IT 10....
IT 100000 DE-orange	95102401	Orange	For IT 10....
IT 100000 DE-blau	95102501	Blue	For IT 10....
IT 150000 DE-rot	95152201	Red	For IT 15....
IT 150000 DE-grün	95152301	Green	For IT 15....
IT 150000 DE-orange	95152401	Orange	For IT 15....
IT 150000 DE-blau	95152501	Blue	For IT 15....
IT 200000 DE-rot	95202201	Red	For IT 20....
IT 200000 DE-grün	95202301	Green	For IT 20....
IT 200000 DE-orange	95202401	Orange	For IT 20....
IT 200000 DE-blau	95202501	Blue	For IT 20....

Scope of delivery: 4 decor elements (for 1 enclosure)

Note: Can be used as an alternative to the decor elements included in the IT... standard scope of delivery.



Plain cover plates, 1 mm, graphite grey aluminium, powder-coated

Model	Order no.	Note
IT 002520 AD-7024	95012520	For IT ..2520
IT 002525 AD-7024	95012525	For IT ..2525
IT 002530 AD-7024	95012530	For IT ..2530
IT 003520 AD-7024	95013520	For IT ..3520
IT 003525 AD-7024	95013525	For IT ..3525
IT 003530 AD-7024	95013530	For IT ..3530
IT 004520 AD-7024	95014520	For IT ..4520
IT 004525 AD-7024	95014525	For IT ..4525
IT 004530 AD-7024	95014530	For IT ..4530

Scope of delivery: 1 cover plate

Note: Special sizes on request.



Intertego | Accessories



Plain cover plates, 1 mm, natural-coloured anodised aluminium

Model	Order no.	Note
IT 002520 AD-EQ	95022520	For IT ..2520
IT 002525 AD-EQ	95022525	For IT ..2525
IT 002530 AD-EQ	95022530	For IT ..2530
IT 003520 AD-EQ	95023520	For IT ..3520
IT 003525 AD-EQ	95023525	For IT ..3525
IT 003530 AD-EQ	95023530	For IT ..3530
IT 004520 AD-EQ	95024520	For IT ..4520
IT 004525 AD-EQ	95024525	For IT ..4525
IT 004530 AD-EQ	95024530	For IT ..4530

Scope of delivery: 1 cover plate

Note: Special sizes on request.



Cover plates with ventilation, 1 mm, graphite grey aluminium, powder-coated

Model	Order no.	Note
IT 002520 ADL-7024	95032520	For IT ..2520
IT 002525 ADL-7024	95032525	For IT ..2525
IT 002530 ADL-7024	95032530	For IT ..2530
IT 003520 ADL-7024	95033520	For IT ..3520
IT 003525 ADL-7024	95033525	For IT ..3525
IT 003530 ADL-7024	95033530	For IT ..3530
IT 004520 ADL-7024	95034520	For IT ..4520
IT 004525 ADL-7024	95034525	For IT ..4525
IT 004530 ADL-7024	95034530	For IT ..4530

Scope of delivery: 1 cover plate, 4 mm hexagonal hole

Note: Special sizes on request.



Cover plates with ventilation, 1 mm, natural-coloured anodised aluminium

Model	Order no.	Note
IT 002520 ADL-EQ	95042520	For IT ..2520
IT 002525 ADL-EQ	95042525	For IT ..2525
IT 002530 ADL-EQ	95042530	For IT ..2530
IT 003520 ADL-EQ	95043520	For IT ..3520
IT 003525 ADL-EQ	95043525	For IT ..3525
IT 003530 ADL-EQ	95043530	For IT ..3530
IT 004520 ADL-EQ	95044520	For IT ..4520
IT 004525 ADL-EQ	95044525	For IT ..4525
IT 004530 ADL-EQ	95044530	For IT ..4530

Scope of delivery: 1 cover plate, 4 mm hexagonal hole

Note: Special sizes on request.

Intertego | Accessories

Front panels, 2 mm, natural-coloured anodised aluminium, plug-in

Model	Order no.	Note
IT 102500 FP	95104025	For IT 1025..
IT 103500 FP	95104035	For IT 1035..
IT 104500 FP	95104045	For IT 1045..
IT 152500 FP	95154025	For IT 1525..
IT 153500 FP	95154035	For IT 1535..
IT 154500 FP	95154045	For IT 1545..
IT 202500 FP	95204025	For IT 2025..
IT 203500 FP	95204035	For IT 2035..
IT 204500 FP	95204045	For IT 2045..

Scope of delivery: 1 front panel

Note: Special sizes on request.



Part front panels, natural-coloured anodised aluminium, passivated on rear

Model	Order no.	Note
TF/M 242	86842023	2 U, 42 HP
TF/M 263	86863023	2 U, 63 HP
TF/M 284	86884023	2 U, 84 HP
TF/M 342	86842033	3 U, 42 HP
TF/M 363	86863033	3 U, 63 HP
TF/M 384	86884033	3 U, 84 HP
TF/M 442	86842043	4 U, 42 HP
TF/M 463	86863043	4 U, 63 HP
TF/M 484	86884043	4 U, 84 HP

Scope of delivery: 1 front panel

Note: Special sizes on request. Screw holders and collar screws as accessories.



Tapped strips, galvanised steel, M2.5, 7 x 2 mm, for part front panel fixing

Model	Order no.	Note
GS 00042-I	54000421	42 HP
GS 00063-I	54000631	63 HP
GS 00084-I	54000841	84 HP

Scope of delivery: 2 tapped strips

Note: Special lengths on request.

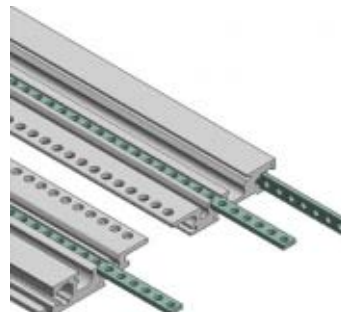


Tapped strips, galvanised steel, M2.5, 5 x 1.5 mm, for horizontal profile grooves and rear fixing of backplanes, insulating strips and Z rails

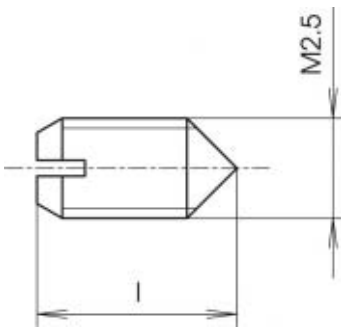
Model	Order no.	Note
GS 00042-II	54000422	42 HP
GS 00063-II	54000632	63 HP
GS 00084-II	54000842	84 HP

Scope of delivery: 2 tapped strips

Note: Special lengths on request.



Intertego | Accessories



Slotted set screw M2.5 x 8 / M2.5 x 5, V2A, for positioning and earthing the tapped strip

Model	Order no.	Note
GSE-5	54700390	Length 5 mm
GSE-8	54700395	Length 8 mm

Scope of delivery: 10 slotted set screws



Insulated plastic, UL 94 V1, for insulated fixing of backplanes

Model	Order no.	Note
IS 00021	54000121	21 HP
IS 00042	54000142	42 HP

Scope of delivery: 2 insulating strips

Note: To achieve the necessary insertion depth when using bus profile rails.

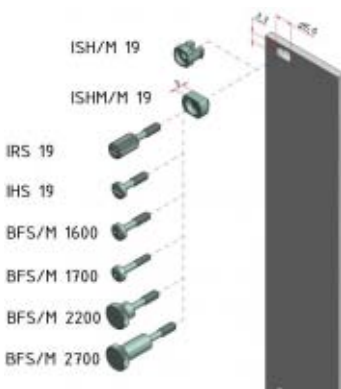


Card guides, one and three parts, plastic, UL 94 V1 green

Model	Order no.	Note
KF 160	54700160	Card depth 160, one piece
KF 220-K	54700225	Card depth 220, three pieces

Scope of delivery: 10 card guides

Note: Snap-in / optionally screwable with GS...II and BFS 0300 (see chapter about Interzoll). Three-part card guide in special lengths on request.



Mounting material for part front panels and plug-in units

Model	Order no.	Note
ISH/M 19	86080510	Plastic screwholder, PA 6, grey
ISHM/M 19	86080500	Metal screw holder, stainless steel, for conductive contacting for riveting to the front panel
IRS 19	54700420	Slotted knurled screw, collar screws SHR R M2.5x11.3x6.3-SP
IHS 19	54700410	Collar screws SHR Z M2.5x11.3x6.3-SP, slotted-head screw
BFS/M 1600	86000160	Collar screws, SHR Z M 2.5x12.3x6.5-SP, nickel-plated steel, for front panels
BFS/M 1700	86000170	Collar screws, SHR Z M 2.5x12.3x6.5-SP, nickel-plated steel, for front panels, torx 8
BFS/M 2200	86000220	Knurled screw without slot, SHR R M 2.5x12.3x6.5-SPx18.3, nickel-plated steel
BFS/M 2700	86000270	Knurled screw without slot, SHR R M 2.5x12.3x6.5-SPx25.3, anodised steel, for PF/M with long lip

Scope of delivery: IHS 19 / IRS 19 = 10 pieces, otherwise 20 pieces



Flange panel, natural-coloured anodised aluminium, for fitting an enclosure (80 HP useful width) in a 19" cabinet

Model	Order no.	Note
IT 10 FLP	95005280	For IT 10...., space requirement 3 U
IT 15 FLP	95005380	For IT 15...., space requirement 4 U
IT 20 FLP	95005480	For IT 20...., space requirement 5 U

Scope of delivery: 1 flange panel

Note: Mounting between side panel and diecast corner instead of the decor elements. 80 HP enclosure on request.

Intertego | Accessories

Wall fitting, graphite grey aluminium, powder-coated

Model	Order no.	Note
IT 000020 WB	95005020	For IT....20
IT 000025 WB	95005025	For IT....25
IT 000030 WB	95005030	For IT....30

Scope of delivery: 2 wall fittings, 4 covers, dark grey

Note: The screw holes can be covered by using decor strips DS... . Special lengths on request. Coloured covers can also be used.



Coloured covers for wall mounting

Model	Order no.	Colour	Note
AS 0030 AK-WB-rot	94785000	Red	For AS 0030-...WB-..., IT 0000.. WB
AS 0030 AK-WB-grün	94783000	Green	For AS 0030-...WB-..., IT 0000.. WB
AS 0030 AK-WB-orange	94786000	Orange	For AS 0030-...WB-..., IT 0000.. WB
AS 0030 AK-WB-blau	94784000	Blue	For AS 0030-...WB-..., IT 0000.. WB

Scope of delivery: 4 covers



Wall angle for fitting on front of enclosure, graphite grey sheet steel, powder-coated

Model	Order no.	Note
IT 10 WW	95005200	For IT 10....
IT 15 WW	95005300	For IT 15....
IT 20 WW	95005400	For IT 20....

Scope of delivery: 2 wall angles

Note: Mounting between side panel and diecast corner instead of the decor elements.



Tower foot, graphite grey aluminium, powder-coated

Model	Order no.	Note
IT 000020 T	95006020	For IT....20
IT 000025 T	95006025	For IT....25
IT 000030 T	95006030	For IT....30

Scope of delivery: 2 tower feet, 4 rubber feet

Note: Special lengths on request.



Tip-up feet, polyamide

Model	Order no.
AF1/INS	86050000

Scope of delivery: Set-up foot set (2 fixed and 2 hinged feet), fixing material

Note: Mechanical processing of the cover plates and mounting of the tip-up feet on request.



Unit feet, polyamide

Model	Order no.
IT GF	95006000

Scope of delivery: 4 unit feet

Note: Mechanical processing of the cover plates and mounting of the unit feet on request.



Intertego | Accessories

Handles / Tip-up bows for IT 15..., IT 20...



Model	Order no.	Note
IT 002500 HS1	95007325	For IT 1525.., IT 2025..
IT 003500 HS1	95007335	For IT 1535.., IT 2035..
IT 004500 HS1	95007345	For IT 1545.., IT 2045..

Scope of delivery: Handle side parts (PA6), profile (aluminium), seals, screws

Note: Mechanical processing of the side profiles and mounting of the handles on request. The maximum load is 300 N.



Handles / Tip-up bows for IT 10...

Model	Order no.	Note
IT 002500 HS2	95007225	For IT 1025..
IT 003500 HS2	95007235	For IT 1035..
IT 004500 HS2	95007245	For IT 1045..

Scope of delivery: Handle side parts (PA6), profile (aluminium), seals, screws

Note: Mechanical processing of the side profiles and mounting of the handles on request. The maximum load is 150 N.



Handle shells, black plastic

Model	Order no.
IT-GRS	95007100

Scope of delivery: 2 handle shells

Note: Mechanical processing of the side profiles and mounting of the handle shells on request.

Intertego | EMC accessories

EMC textile seal, self-adhesive, for mounting on front and side profiles for conductive connections between profiles and EMC cover plate

Model	Order no.
IT-EMV 1	95112000

Scope of delivery: 8 seals, length 425 mm



EMC corner seal set for mounting on the diecast corners to create conductive connections between the side profiles and the front area

Model	Order no.	Note
IT-EMV 2	95110001	For IT 10....
IT-EMV 3	95160001	For IT 15....

Scope of delivery: 4 EMC corner seals



EMC spring, for mounting on front profiles for conductive connections between front profiles and screw-on EMC part front panels

Model	Order no.	Note
EMV-Feder-FP/M 42TE	86001142	42 HP
EMV-Feder-FP/M 63TE	86001163	63 HP
EMV-Feder-FP/M 84TE	86001184	84 HP

Scope of delivery: 10 EMC springs



EMC round cord seal, for mounting in front profiles for conductive connections between profiles and plug-in EMC front panels

Model	Order no.	Note
	59010509*	Sold by the metre

Note: Available on request – mounting takes place in factory.



Plain EMC cover plates, aluminium, visible area graphite grey, powder-coated

Model	Order no.	Note
IT 002520 AD-7024-EMV	95052520	For IT ..2520
IT 002525 AD-7024-EMV	95052525	For IT ..2525
IT 002530 AD-7024-EMV	95052530	For IT ..2530
IT 003520 AD-7024-EMV	95053520	For IT ..3520
IT 003525 AD-7024-EMV	95053525	For IT ..3525
IT 003530 AD-7024-EMV	95053530	For IT ..3530
IT 004520 AD-7024-EMV	95054520	For IT ..4520
IT 004525 AD-7024-EMV	95054525	For IT ..4525
IT 004530 AD-7024-EMV	95054530	For IT ..4530

Scope of delivery: 1 cover plate

Note: Cover plates with side contact lugs, uncoated, for IT-EMV 1. Special sizes on request.



Intertego | EMC accessories



EMC cover plates with ventilation, aluminium, visible area in graphite grey, powder-coated

Model	Order no.	Note
IT 002520 ADL-7024-EMV	95062520	For IT ..2520
IT 002525 ADL-7024-EMV	95062525	For IT ..2525
IT 002530 ADL-7024-EMV	95062530	For IT ..2530
IT 003520 ADL-7024-EMV	95063520	For IT ..3520
IT 003525 ADL-7024-EMV	95063525	For IT ..3525
IT 003530 ADL-7024-EMV	95063530	For IT ..3530
IT 004520 ADL-7024-EMV	95064520	For IT ..4520
IT 004525 ADL-7024-EMV	95064525	For IT ..4525
IT 004530 ADL-7024-EMV	95064530	For IT ..4530

Scope of delivery: 1 cover plate

Note: Cover plates with side contact lugs, uncoated, for IT-EMV 1. Special sizes on request.



EMC front panels, natural-coloured anodised aluminium on front, 2 mm, colour-passivated on rear, plug-in

Model	Order no.	Note
IT 102500 FP-EMV	95114025	For IT 1025..
IT 103500 FP-EMV	95114035	For IT 1035..
IT 104500 FP-EMV	95114045	For IT 1045..
IT 152500 FP-EMV	95164025	For IT 1525..
IT 153500 FP-EMV	95164035	For IT 1535..
IT 154500 FP-EMV	95164045	For IT 1545..
IT 202500 FP-EMV	95214025	For IT 2025..
IT 203500 FP-EMV	95214035	For IT 2035..
IT 204500 FP-EMV	95214045	For IT 2045..

Scope of delivery: 1 front panel

Note: Special sizes on request.



Part front panels, EMC, front natural-coloured anodised aluminium, passivated on rear with slot for EMC spring and pressed-in alignment pins

Model	Order no.	Note
TF/M 242-EMV	86842024	2 U, 42 HP
TF/M 263-EMV	86863024	2 U, 63 HP
TF/M 284-EMV	86884024	2 U, 84 HP
TF/M 342-EMV	86842034	3 U, 42 HP
TF/M 363-EMV	86863034	3 U, 63 HP
TF/M 384-EMV	86884034	3 U, 84 HP

Scope of delivery: 1 front panel

Note: Matching screw holders and collar screws as accessories.

Intertego | EMC accessories

EMC springs for mounting on EMC part front panels, screw-on with side slits / assembly tool

Model	Order no.	Note
EMV-Feder-FP/M 2HE	86001002	2 U
EMV-Feder-FP/M 3HE	86001003	3 U
MWZ/M-II	86001202	Assembly tool

Scope of delivery: 10 EMC springs or 1 assembly tool

Note: Can be mounted on TF/M...-EMV

