

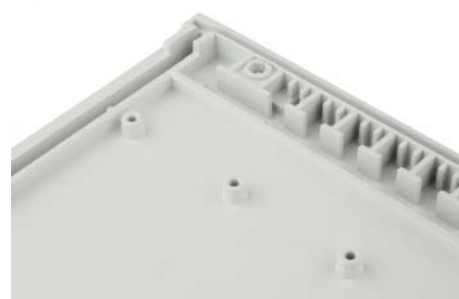
This series of console enclosures offers maximum mounting space in a classic design



UMP...: Closed console area with 1 mm recessed area for fitting membrane keypads and open rear side.



UMP...FP: Open console area and open rear with continuous inner seal (front panel as accessory).



Domes and plug-in slots for fitting circuit boards.



Screw covers create a standardised appearance.

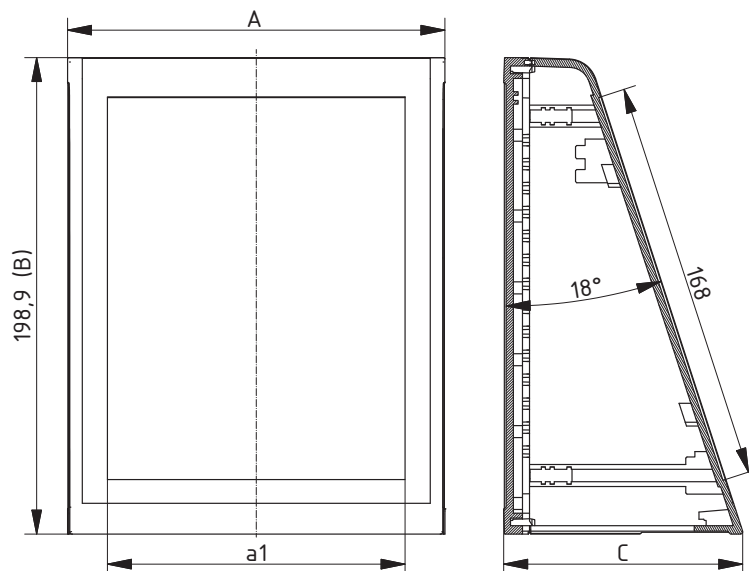
Ultrapult | Enclosures



Enclosure with membrane keypad area

Model	Order no.	A	B	C	a1
UMP 32014	45320140	157,5	198,9	100,1	124,2
UMP 62014	45620140	290,9	198,9	100,1	257,6
UMP 32018	45320180	157,5	198,9	120,4	124,2
UMP 62018	45620180	290,9	198,9	120,4	257,6

Scope of delivery: Lid and base, 4 screw covers, 4 rubber feet, 4 screws



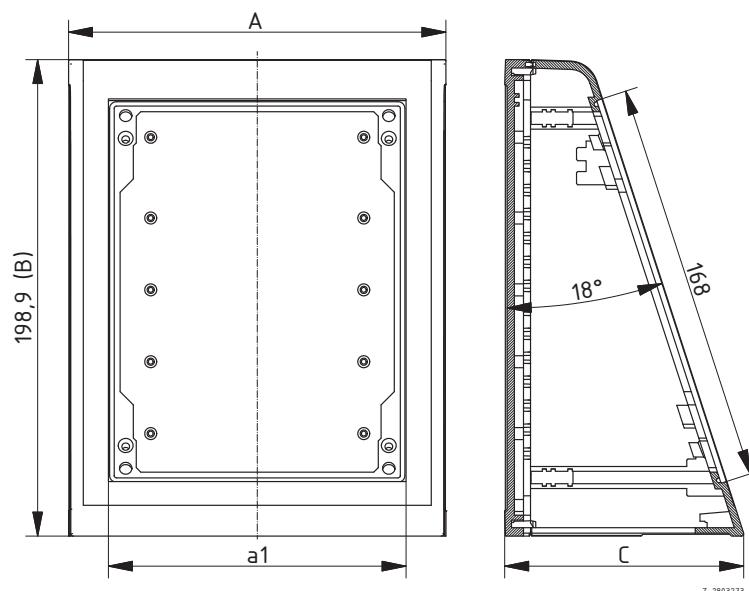
Z-2803272

Ultrapult | Enclosures

Enclosure with open console area

Model	Order no.	A	B	C	a1
UMP 32014 FP	45320145	157,5	198,9	100,1	124,2
UMP 62014 FP	45620145	290,9	198,9	100,1	257,6
UMP 32018 FP	45320185	157,5	198,9	120,4	124,2
UMP 62018 FP	45620185	290,9	198,9	120,4	257,6

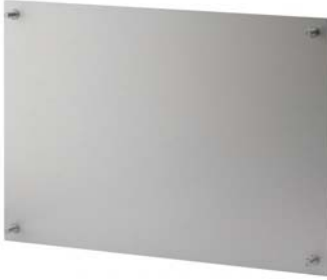
Scope of delivery: Lid and base, 4 screw covers, 4 rubber feet, 4 screws



Z-2803273

For accessories, please see the end of the chapter

Ultrapult | Accessories



Front panels for the open console area, 2 mm, natural-coloured anodised aluminium

Model	Order no.	Note
FPP 32000	29320180	For UMP 32014 FP + UMP 32018 FP
FPP 62000	29620180	For UMP 62014 FP + UMP 62018 FP

Scope of delivery: 1 front panel, fixing material



Rear panels, 2 mm, natural-coloured anodised aluminium

Model	Order no.	Note
FP 30014	56031400	For UMP 32014 (FP)
FP 60014	56061400	For UMP 62014 (FP)
FP 30018	56031800	For UM 3..09 + 1x AB 02.09 (L) and for UMP 32018 (FP)
FP 60018	56061800	For UM 6..09 + 1x AB 02.09 (L) and for UMP 62018 (FP)

Scope of delivery: 1 rear panel



Rear panels, light grey, 2 mm, plastic

Model	Order no.	Note
FPK 30014	56031410	For UMP 32014 (FP)
FPK 60014	56061410	For UMP 62014 (FP)
FPK 30018	56031810	For UM 3..09 + 1x AB 02.09 (L) and for UMP 32018 (FP)
FPK 60018	56061810	For UM 6..09 + 1x AB 02.09 (L) and for UMP 62018 (FP)

Scope of delivery: 1 rear panel



Wall brackets for UMP 32014 / 62014

Model	Order no.
UM-WLN	56002100*

Scope of delivery: 4 wall brackets



Wall brackets for UMP 32018 / 62018

Model	Order no.
UM-WLH	56002000

Scope of delivery: 4 wall brackets

