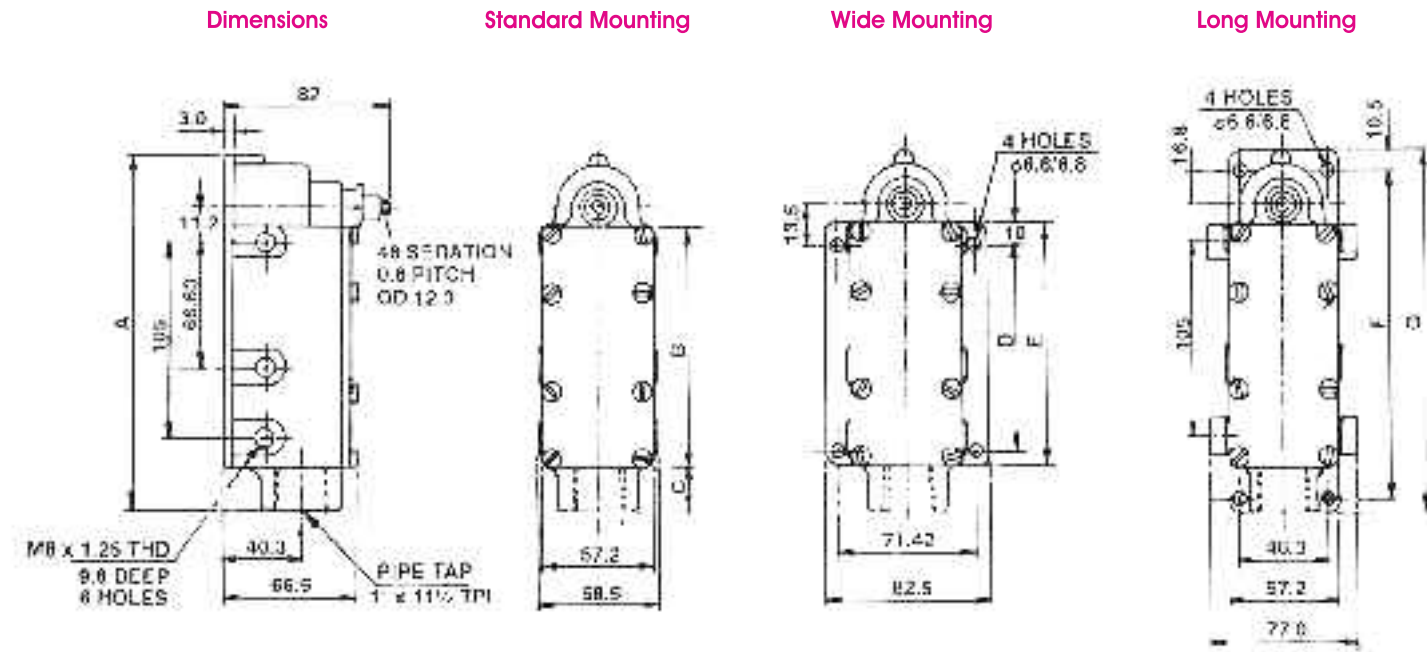


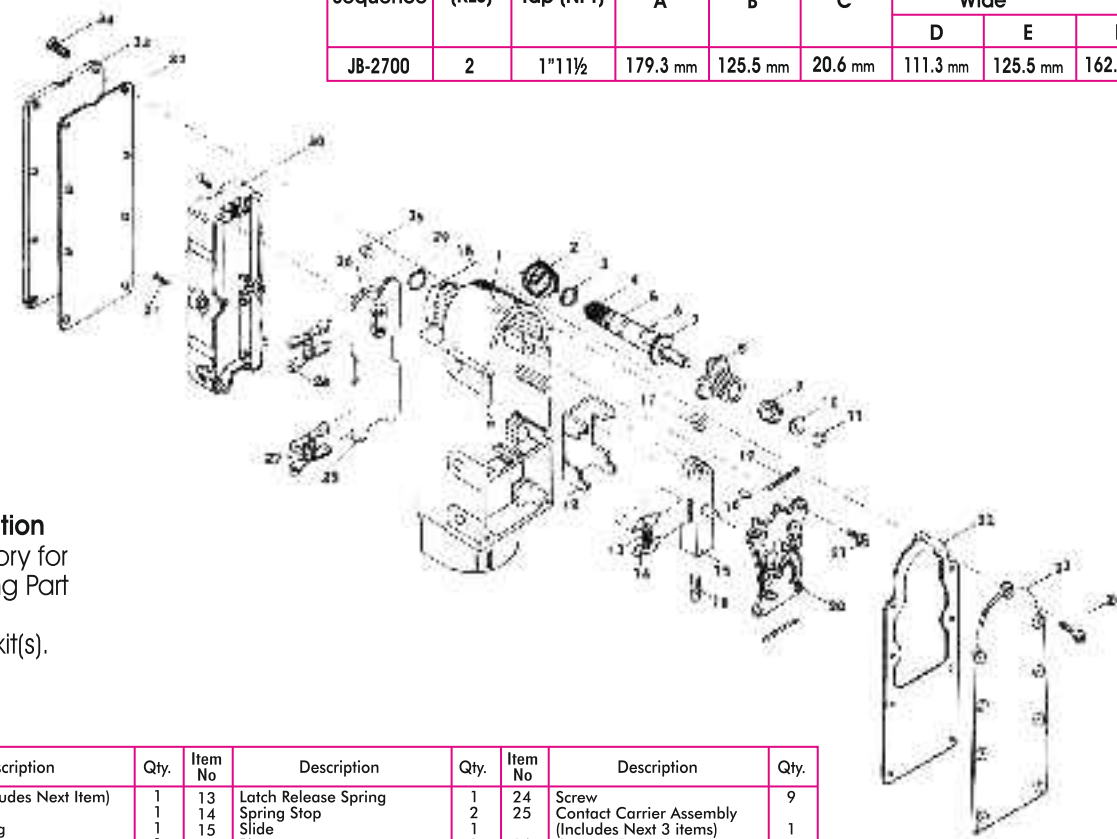
JB 2700



Basic design permits mounting from either side or back. Style L or W mounting plates, for back mounting, available at no extra cost.



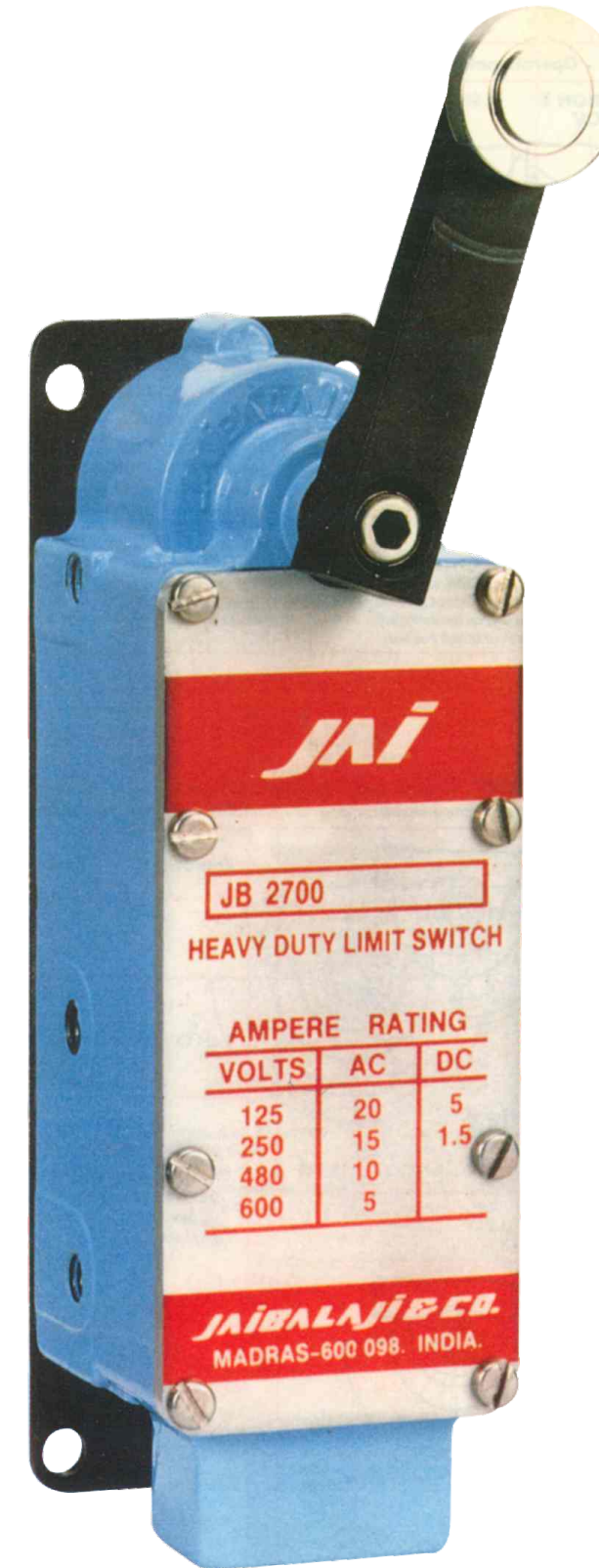
Contact Sequence	Wgt (KLS)	Pipe Tap (NPT)	Standard Switch			Mounting Style			
			A	B	C	Wide		Long	
						D	E	F	G
JB-2700	2	1"11/2	179.3 mm	125.5 mm	20.6 mm	111.3 mm	125.5 mm	162.8 mm	179.3 mm



Parts Description

Consult Factory for corresponding Part Number and appropriate kit(s).

Item No	Description	Qty.	Item No	Description	Qty.	Item No	Description	Qty.
1	Housing (Includes Next Item)	1	13	Latch Release Spring	1	24	Screw	9
1A	Bushing	1	14	Spring Stop	2	25	Contact Carrier Assembly (Includes Next 3 items)	1
2	Torsion Spring	1	15	Slide	1	26	Contact Carrier	1
3	"O" Ring	1	16	Pin	1	27	Contact Spring	2
4	Lever Assembly (includes Next 3 items)	1	17	Roller	1	28	Contact	4
5	Lever Shaft	1	18	Return Spring	2	29	Tru-Arc Ring	1
6	Roll Pin	1	19	Latch Return Spring	1	30	Contact Block	1
7	Cam Hub	1	20	Latch Plate	1	31	Screw	3
8	Cam	1	21	Screw	4	32	Top Cover Gasket	1
9	Cam Spring	1	22	Bottom Cover Gasket	1	33	Top Cover	1
10	Retaining Washer	1	23	Bottom Cover (Std. Only)	1	34	Screw	8
11	Tru-Arc-Ring	1		Bottom Cover (Style W Only)	1	35	Pipe Plug	1
12	Shuttle	1		Bottom Cover (Style L Only)	1			



JAI BALAJI

JB 2700

HEAVY DUTY LIMIT SWITCHES

- MULTIPLE CONTACTS - DPDT (2 NO-2 NC),.
- GENEROUS OVERTRAVEL
- HEAVY DUTY CAM OPERATED
- FLEXIBILITY OF MOTION, CW AND CCW
- AMPLE WIRING SPACE

Description

WIDE RANGE OF OPERATION... MODULAR CONSTRUCTION... PRACTICAL FLEXIBILITY

In every aspect these Limit Switches are the "ultimate" of the industry. The scope of Models are tailored to meet today's rugged requirements... there is a model of size and type of meet virtually all demands.

Besides covering all functional requirements this line is designed to meet practically every condition of installation. These Switches provide reliable "machine-life" service and have the stamina to operate under the unusual conditions... at the same time giving millions of consistently fast, accurate contacts.

Here are a few of the outstanding feature built into the switch for maximum performance.

- Generous overtravel and by-pass. Flexibility of motion, clockwise and counter-clockwise.
- Simplicity and interchangeability of cams.
- Light operating torque.
- Fast contact action.
- Form Z contact arrangement

MANUFACTURED BY :

JAI BALAJI
CONTROL GEARS PVT. LTD

POST BOX NO. 27
89, (NEW NO:107), SIDCO INDUSTRIAL ESTATE
AMBATTUR, CHENNAI - 600 098.
PHONE : 26251279, 26257859, 26254469
FAX : 044-26255038.
E-MAIL : dchandramohan@jaibalaji.firm.in

SPECIFICATIONS :

1. Enclosure is water, oil and dust tight.
2. Enclosure meets as per IP-67
3. Contacts made of silver alloy. Contact shifting mechanism is locked in position by the latches until lever is actuated.
4. Standard Temperature Range : 20 C to + 110 C
5. Operating lever is adjustable to any required position.
6. Operating lever Angles (travel either clockwise or counter-clockwise) maximum degrees of trip travel, reset travel, as well as total lever travel, are determined by the cam selected.
7. Operating Torques - Trip Torque varies from 6.804 (to) 14.968 KLS depending on switch size and cam

Voltage		For Neutral Position Only	
125V-A.C.	20.0 Amps*	10.0 Amps*	
250V-A.C.	15.0 Amps*	7.5 Amps*	
480V-A.C.	10.0Amps*	5.0 Amps*	
600V-A.C.	5.0 Amps*	2.5 Amps*	
125V-D.C.	5.0 Amps*	2.5 Amps*	
250V-D.C.	1.5 Amps*	.75 Amps*	

* 75-100% Power Factor.

Operational Data	
POSITION 1 CCW	POSITION 2 CW
Initial Position	Initial Position
Position	1 (CCW) 2 (CW)
A Trip Travel	25° 55°
B Reset Travel	25° 22°
C Min Travel to Maintain	54° 55°
D Recommended Travel	60° 60°
E Total Travel	124° 116°
F Overall Travel	56° 64°
Torque	(Kilos)
M CAM	2 N.O. CW 2.721 2 N.C. CCW 5.443

To change Switch Operation from Cam Position 1 to Position 2. Operate Switch thru' Angle C. Remove Lever and Reset at Initial Position.

Maintained Switches
M CAM - MAINTAINED CONTACTS & LEVER POSITION
Lever and contacts are maintained in tripped position. When lever is moved CCW the N.C. contacts open and the N.O. contacts close. Starting at this position rotating the lever CW the N.O. contacts open and the N.C. close.

Contacts	Circuits		Mounting		
	Position 1	Position 2	Standard	"W"	"L"
2N.O. 2N.C.			JB2700-1125	JB2700-2115	JB2700-5112

M7 CAM - MAINTAINED CONTACTS - LEVER RETURNED
Contacts are maintained in tripped position, torsion spring will return lever to initial position when released. When lever is moved CCW the N.C. contacts open and the N.O. contacts close. The lever must then be returned to the initial position and be operated in the CW direction to reset the contacts.

Contacts	Circuits		Mounting		
	Position 1	Position 2	Standard	"W"	"L"
2N.O. 2N.C.			JB2700-1125	JB2700-2115	JB2700-5112

Operational Data	
POSITION 1 CCW	POSITION 2 CW
Initial Position	Initial Position
Position	1 (CCW) 2 (CW)
A Trip Travel	16° 30°
B Reset Travel	30° 26°
C Min Travel to Maintain	26° 30°
D Recommended Travel	45° 45°
E Total Travel	90° 90°
Torque	(Kilos)
M CAM	2 N.O. CW 6.804 2 N.C. CCW 7.938

To change Switch Operation from Cam Position 1 to Position 2. Operate Switch thru' Angle C. Remove Lever and Reset at Initial Position.

Standard Switches

CW OPERATION ONLY (Combination B-1/B-2 Cam)
Contacts transfer when lever is operated CCW. Lever can be operated CCW but contacts will not transfer.

Contacts	Circuits	Mounting			Operational Data
		Standard	"W"	"L"	
2N.O. 2N.C.		JB2700-1512	JB2700-2124	JB2700-5121	 A Trip Travel 18° B Reset Travel 14° C Recommended Travel 30° D Total Travel Available 90° Torque (Kilos) 2N.O. - 2N.C. 12.246

CCW OPERATION ONLY (Combination B-1/B-2 Cam)
Contacts transfer when lever is operated CCW. Lever can be operated CCW but contacts will not transfer.

Contacts	Circuits	Mounting			Operational Data
		Standard	"W"	"L"	
2N.O. 2N.C.		JB2700-1044	JB2700-4500	JB2700-5400	 A Trip Travel 18° B Reset Travel 14° C Recommended Travel 30° D Total Travel Available 90° Torque (Kilos) 2N.O. - 2N.C. 12.246

CW & CCW OPERATION (Combination B-1/B-2 Cam)
Contacts transfer when lever is operated CW or CCW.

Contacts	Circuits	Mounting			Operational Data
		Standard	"W"	"L"	
2N.O. 2N.C.		JB2700-2502	JB2700-4050	JB2700-5040	 A Trip Travel 18° B Reset Travel 14° C Recommended Travel 30° D Total Travel Available 90° Torque (Kilos) 2N.O. - 2N.C. 12.246

Neutral Position Switches

N CAM - NEUTRAL POSITION - ALL CONTACTS OPEN
As lever is moved CW upper contacts close. As lever is spring returned to starting position upper contacts open. As lever is moved CCW from starting position lower contacts close. As lever is spring returned to starting position lower contacts open.

Contacts	Circuits	Mounting			Operational Data
		Standard	"W"	"L"	
4N.O.		JB2700-1008	JB2700-2007	JB2700-4104	 Direction of Rotation CW CW A Trip Travel 11° 35° B Reset Travel 9° 13° C Recommended Travel 45° 45° D Total Travel 90° 90° Torque (Kilos) N CAM 4N.O. CW 6.123 4N.O. CCW 8.944

N CAM - NEUTRAL POSITION - ALL CONTACTS CLOSED
As lever is moved CW lower contacts open. As lever is spring returned to starting position lower contacts close. As lever is moved CCW from starting position upper contacts open. As lever is spring returned to starting position upper contacts close.

N1 - NEUTRAL POSITION - ALL CONTACTS OPEN
As lever is moved CW lower contacts close. As lever is spring returned to starting position lower contacts open. As lever is moved CCW from starting position upper contacts close. As lever is spring returned to starting position upper contacts open.

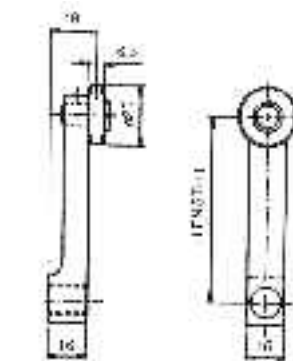
Contacts	Circuits	Mounting			Operational Data
		Standard	"W"	"L"	
4N.C.		JB2700-2205	JB2700-4005	JB2700-5004	 Direction of Rotation CW CW A Trip Travel 31° 31° B Reset Travel 22° 12° C Recommended Travel 45° 45° D Total Travel 90° 90° Torque (Kilos) N1 CAM 4N.O. CW 7.938 4N.O. CCW 9.298

N1 CAM - NEUTRAL POSITION - ALL CONTACTS CLOSED
As lever is moved CW upper contacts open. As lever is spring returned to starting position upper contacts close. As lever is moved CCW from starting position lower contacts open. As lever is spring returned to starting position lower contacts close.

Contacts	Circuits	Mounting			Operational Data
		Standard	"W"	"L"	
4N.C.		JB2700-3600	JB2700-4221	JB2700-5022	 Direction of Rotation CW CW A Trip Travel 31° 31° B Reset Travel 22° 12° C Recommended Travel 45° 45° D Total Travel 90° 90° Torque (Kilos) N1 CAM 4N.O. CW 7.938 4N.O. CCW 9.298

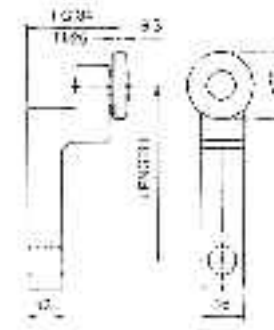
Operating levers

Lever	Length (mm)
Style A (Steel roller)	
AA	38
AA (25,4 mm roller)	38
AB	76
AC	32
AD	45
AH	51
AL	89
AM	102
AO	64



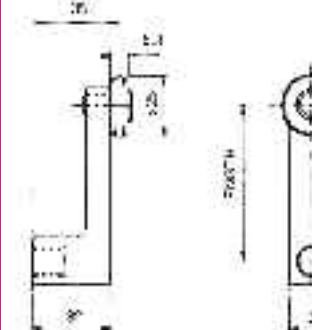
Style F (Steel roller)

FG	64
FI	76



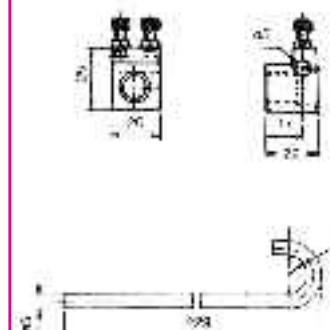
Style LA

LAA1	38
LAH1	51
LAO1	64



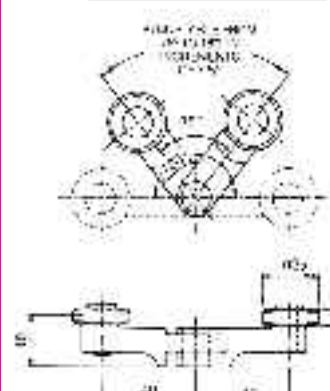
Style R

R (hub)	
R9 (rod)	

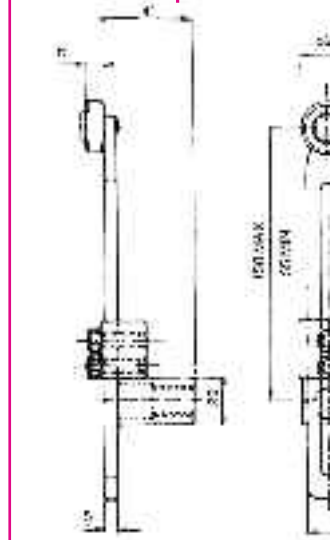


Style V

VA	38
----	----



Adjustable lever



Antenna type lever

