

Description

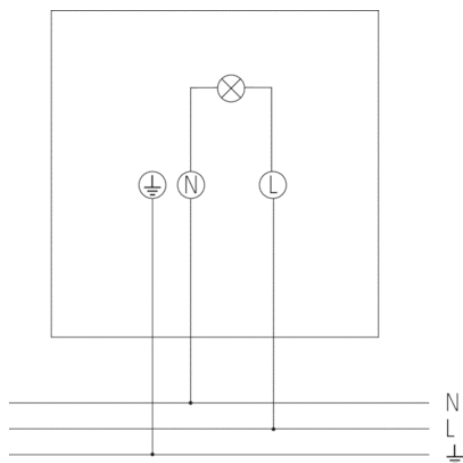


- LED spotlight with motion detector
- 2 LED spots with 8 W each (equivalent to 2x100 W Halogen spotlight)
- Spotlight can be swivelled $\pm 40^\circ$ horizontally, and adjusted 90° downwards
- Suitable for outdoor use
- Automatic lighting control based on presence and brightness
- 90° detection angle at a detection range of 10 m
- Additional creep under protection with 140° detection angle at a detection range of 2 m
- Sensor head can be turned by $\pm 90^\circ$ horizontally
- Spotlight can be swivelled $\pm 40^\circ$ horizontally, and adjusted 90° downwards
- Area limit via lens attachment
- Single-handed plug-in installation
- Instant start-up possible via factory preset
- Adjustable lux value and switch-off delay
- Settings can be changed without tools
- Optional purely twilight-dependent control
- Not suitable for dimming applications

Technical data

Operating voltage	100 – 240 V AC
Frequency	50 – 60 Hz
Stand-by consumption	~0,3 W
Light measurement	Mixed light measurement
Installation type	Wall installation
Setting range brightness	5 – 200 lx or just presence dependent
LED output (lighting current)	2x8 W (860 lm)
Colour temperature	6000 K, daylight white
Detection angle	90° (140° Creep under protection)
Installation height	2 – 4 m
Light switch-off delay	5 s-10 min
Ambient temperature	-20°C ... $+40^\circ\text{C}$
Protection class	II
Type of protection	IP 44

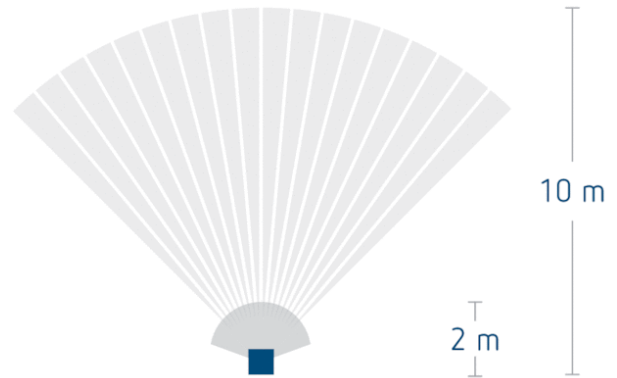
Connection example



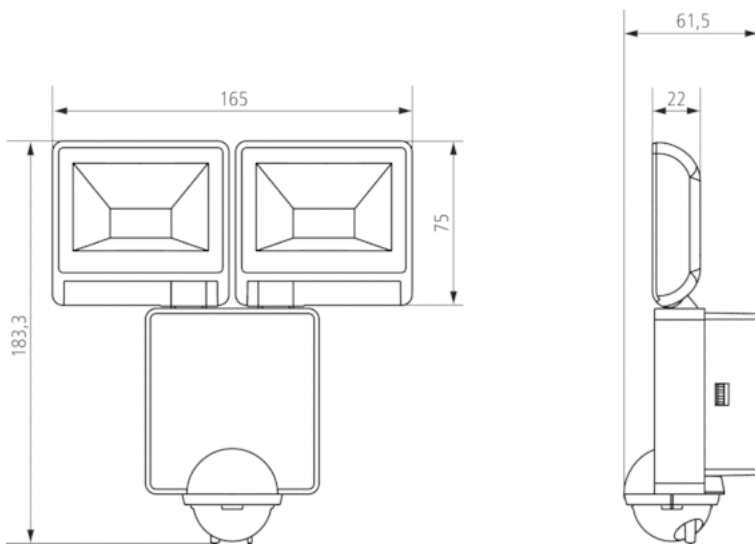
Article number: 1020973

Detection range

Mounting height (A)	Head on to (r)	Diagonally (t)
2 m	2 m	10 m
2,5 m	2 m	10 m
3 m	2 m	9 m
3,5 m	2 m	8 m
4 m	2 m	6 m



Scale drawings



Accessories

LUXA LED corner angle WH

- Article number: 9070756
[Details ▶ www.theben.de](http://www.theben.de)

