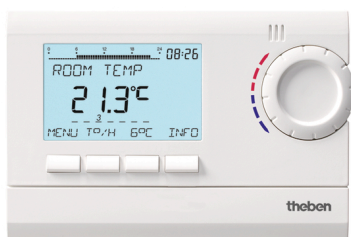


Description



- Digital clock thermostat with low profile design for time-dependent monitoring and control of room temperature
- Mains version
- Suitable for energy-saving room temperature control in houses, apartments, heating zones, offices, showrooms, factories, medical practices, holiday homes
- Backlit display through keystroke
- External input for connection of presence detectors, temperature sensors, floor sensors, window contacts or telephone remote switches
- Optimisation function for automatic correction of heating start up
- Temperature is set quickly via rotary switch
- INFO key for viewing important settings
- Quick start-up via 3 basic programs with individually changeable comfort and reduced temperature
- Party / ECO program
- Fully automatic summer/winter-time correction
- Different control types can be individually set
- Optimum start option thanks to operating point and switching differential setting option
- 24 programmable time phases per program also enable reduction phases during the day
- Plug-in base for wall or flush-mounted socket installation

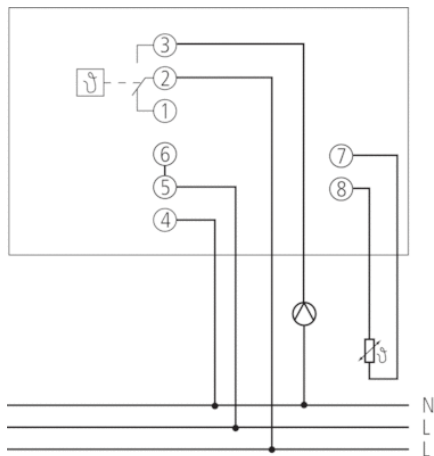
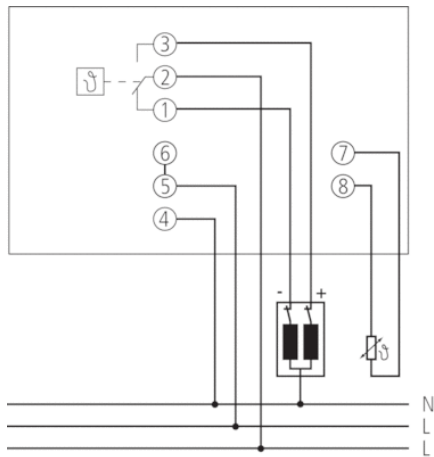
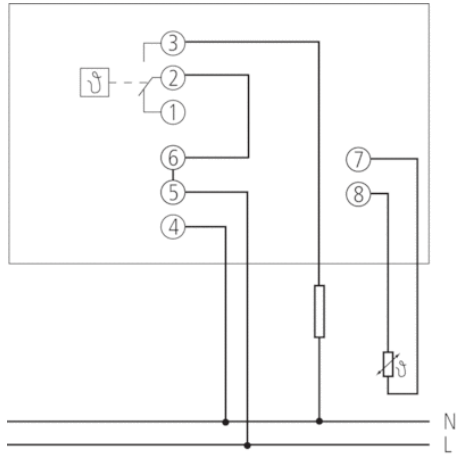
Technical data

Operating voltage	230 V AC
Frequency	50 Hz
Type of connection	3-/4-conductors
Type of contact	Changeover contact
Switching capacity	6 A (at 250 V AC, $\cos \varphi = 1$), 1 A (at 250 V AC, $\cos \varphi = 0.6$)
Switching capacity min.	1 mA
Setting range temperature	+6 °C ... +30 °C
Setting range frost protection	+6 °C ... +10 °C
Temperature display	exactly 0.1 °C
Time basis	Quartz
Program	Weekly program, Daily program, Holiday program, 3 basic programs
Number of memory locations	42 , max. 24 per program
External inputs	1
Control types	Pulse width modulation, Hysteresis controller
Control period	5 – 30 min
Control capture range	0,2 – 5 K
Control accuracy	$\leq \pm 0.2$ K
Mode of operation	Type 1 B as per EN 60730-1
Control types	2-point
Switching output	Potential-free, not for SELV
Suitable for SELV	No
Time accuracy at 25 °C	$\leq \pm 1$ s/day (quartz)
Power reserve	5 hours
Stand-by consumption	0,4 W
Installation type	Wall installation

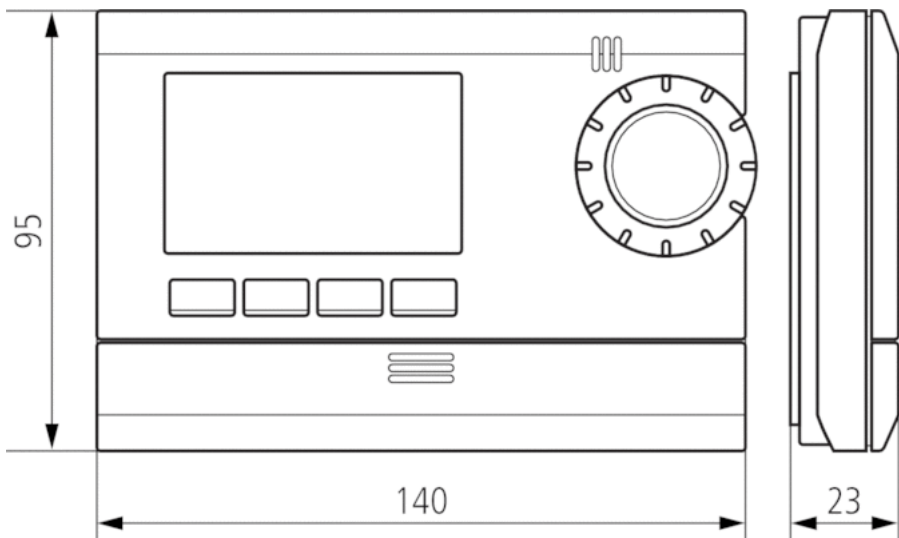
Article number: 8320132

Type of protection	IP 20
Protection class	II according to EN 60 730-1

Connection example



Scale drawings



Accessories

Actuator ALPHA 5 230 V

- Article number: 9070441
[Details ▶ www.theben.de](http://www.theben.de)



Actuator ALPHA 5 24 V

- Article number: 9070442
[Details ▶ www.theben.de](http://www.theben.de)



Temperature sensor

- Article number: 9070321
[Details ▶ www.theben.de](http://www.theben.de)



Temperature sensor RAMSES IP 65

- Article number: 9070459
[Details ▶ www.theben.de](http://www.theben.de)

