

Description



- Astronomical time switch with weekly program
- 2 channels
- 84 memory locations
- Channel 1 or channel 2 can also be used purely as time switch channel
- 2 external inputs
 - Connectable sensors (external selector switch, sequence timer, staircase light function)
 - Connectable switches (ON or OFF permanent switching, astronomical or special program)
- 3 special programs with yearly date function per channel
 - Fixed public holidays or date ranges and public holidays dependent on Easter
 - Astronomical times with other night interruption / fixed ON switching
 - permanent ON or OFF switching
- Count-down timer
- Astronomical time switch function (automatic calculation of sunrise and sunset times for the whole year)
 - Offset for adjusting of sunrise and sunset times
 - Position data via coordinates or country/city lists can be programmed
 - Fixed ON-OFF switching times can be programmed (e.g. night time interruption)
 - Simulation of switching times (calculated astronomical times and programmed ON/OFF switching times)
 - Reversible astronomical mode (evenings ON - mornings OFF or evenings OFF - mornings ON) or can be deactivated
- DuoFix spring terminals
 - For 2 conductors each
 - Wire or strand (with or without wire end sleeve)
 - Wire diameter: 0.5 - 2.5 mm²
 - Button for releasing plug-in connection
- Text-oriented user guidance in display
 - Preset date and time
 - fully operable without mains connection
- Interface for OBELISK top2 memory card (PC programming)
 - 2. insertable switching program
 - Copying programs
 - Storing programs
- 10 year power reserve (lithium battery)
- Zero-cross switching for relay-saving switching and high lamp loads (not with 24 V devices)
- Calculated astronomical switching times
- Programmable ON-OFF switching times
- Switching preselection
- Permanent switching ON/OFF
- Integrated operating hour counter
 - Reset option
 - Service function for monitoring maintenance intervals
- Holiday program
- Display back light (can be turned off)
- PIN coding
- Automatic summer/winter time changeover
 - can be deactivated
 - Date rule options are already stored for Europe, the USA and other countries
 - own date rule options or changeover around set dates are available

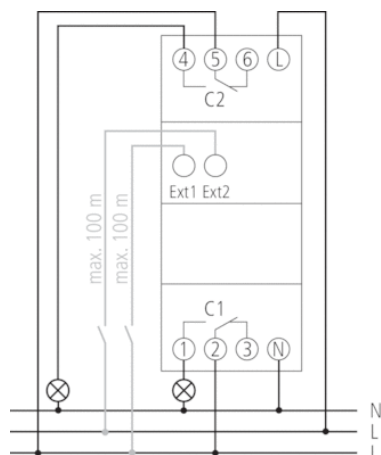
Technical data

| | |
|-------------------|----------------|
| Operating voltage | 230 – 240 V AC |
| Frequency | 50 – 60 Hz |

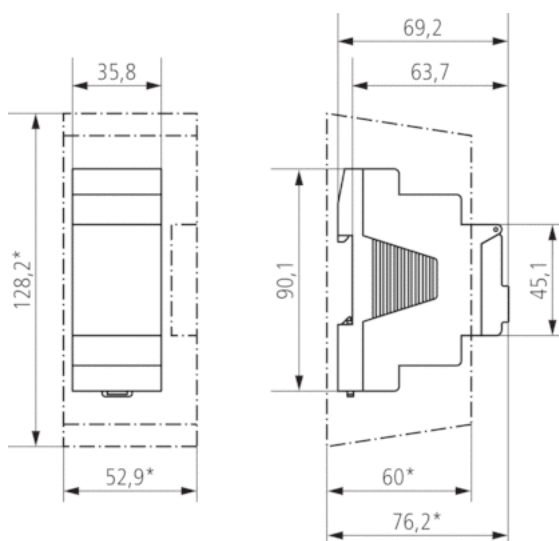
Article number: 1720100

| | |
|---|--|
| Width | 2 modules |
| Installation type | DIN rail |
| Type of contact | Two-way changeover contact |
| Switching output | Phase-independent |
| Opening width | < 3 mm (μ) |
| Program | Weekly program, Astronomical program |
| Program functions | ON-OFF |
| Number of channels | 2 |
| External inputs | 2 |
| Number of memory locations | 84 |
| Power reserve | 10 years |
| Switching capacity at 250 V AC, $\cos \varphi = 1$ | 16 A |
| Switching capacity at 250 V AC, $\cos \varphi = 0,6$ | 10 A |
| Incandescent/halogen lamp load 230 V | 2600 W |
| Energy saving lamps 230 V | 170 W |
| LED lamp | < 2 W = 30 W or 2-8 W = 100 W or > 8 W = 120 W |
| Fluorescent lamp load (conventional) not corrected | 2300 VA |
| Fluorescent lamp load (conventional) series-corrected | 2300 VA |
| Fluorescent lamp load (conventional) parallel-corrected | 730 VA 80 μ F |
| Fluorescent lamp load (electronic ballast) | 650 W |
| Switching capacity min. | ca. 10 mA |
| Shortest switching times | 1 min |
| Time accuracy at 25 °C | typical $\pm 0,25$ s/day (quartz) |
| Time basis | Quartz |
| Stand-by consumption | ~0,8 W |
| Capacity loss max. | 2,6 W |
| Memory card supplied | – |
| Test approval | VDE |
| Type of connection | DuoFix spring terminals |
| Keyboards | 4 touch buttons |
| Housing and insulation material | High-temperature resistant, self-extinguishing thermoplastic |
| Type of protection | IP 20 |
| Protection class | II according to EN 60 730-1 |
| Ambient temperature | -30 °C ... +55 °C |

Connection example



Scale drawings



Accessories

Wall mounting kit 35 mm

- Article number: 9070064
[Details ▶ www.theben.de](http://www.theben.de)



PC set OBELISK top2

- Article number: 9070409
[Details ▶ www.theben.de](http://www.theben.de)



Memory card OBELISK top2

- Article number: 9070404
[Details ▶ www.theben.de](http://www.theben.de)



Front panel kit

- Article number: 9070001
[Details ▶ www.theben.de](http://www.theben.de)

