

Description



- Presence detector (PIR)
- 2 channels
- Surface-mounted installation
- 2. Relay for HVAC control, presence dependent
- HVAC control with programmable switch-on and switch-off delay
- Lighting control with adjustable light threshold value and adjustable switch-off delay
- Teach-in of current brightness value possible via remote control
- Additional pulse function can be selected for combination with staircase timer (ELPA), building automation or PLC
- Master/slave function: Up to ten detectors to expand detection area
- Test function for checking detection area
- Zero-cross switching
- Automatic lighting control based on presence and brightness
- Detection area can be limited using three enclosed segments
- Mixed light measurement suitable for the control of fluorescent, incandescent and halogen lamps
- Instant start-up possible via factory preset
- Push-button or switch options for manual switching
- Screwless terminals for quick installation

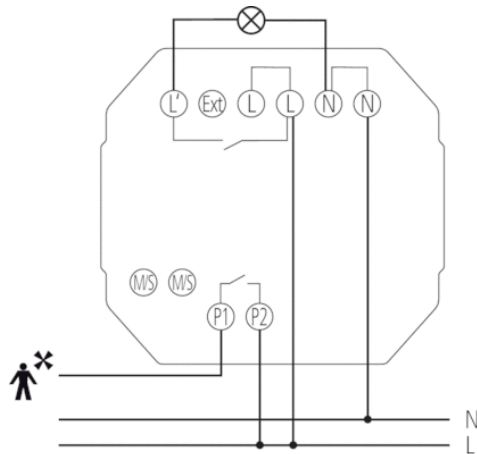
Technical data

Operating voltage	230 V AC
Frequency	50 – 60 Hz
Stand-by consumption	~1 W
Light measurement	Mixed light measurement
Number of channels	2
Type of contact	NO contact
Installation type	Ceiling installation, Surface mounted
Setting range brightness	10 – 2000 lx
Switching capacity light	16 A (at 230 V AC, $\cos \varphi = 1$)
Switching capacity presence	5 A ($\cos f = 1$) 250 V AC/30 V DC
Detection angle	360°
Installation height	2,5 – 3,5 m
Light switch-off delay	1 s-20 min
Presence switch-off delay	1-120 min
Switch-on delay presence	0 – 60 min
Incandescent lamp load	2000 W
Fluorescent lamp load (conventional) not corrected	900 VA
Fluorescent lamp load (conventional) parallel-corrected	400 VA 42 μ F
Fluorescent lamp load (conventional) series-corrected	900 VA
Fluorescent lamp load (conventional) lead-lag circuit	900 VA
Fluorescent lamp load (electronic ballast)	400 VA
Energy saving lamps	4 x 7 W, 3 x 11 W, 3 x 15 W, 3 x 20 W, 3 x 23 W
LED lamp < 2 W	25 W

Article number: 1040362

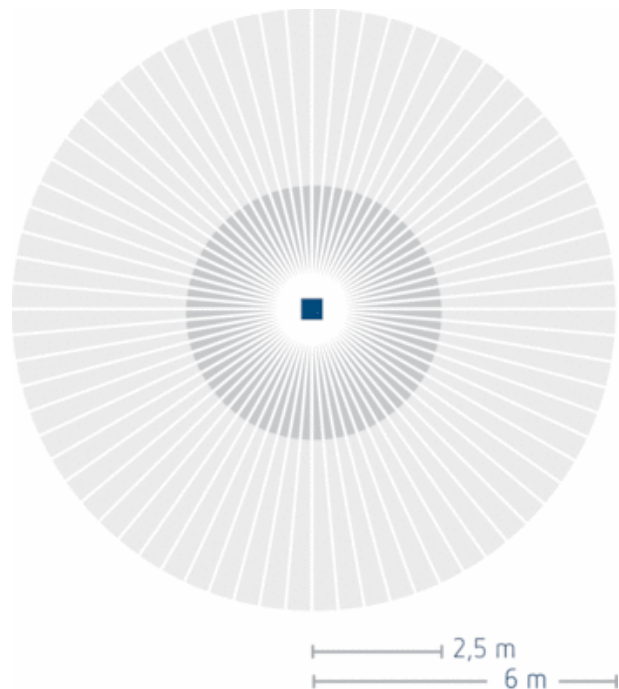
LED lamp 2-8 W	90 W
Lamps	Incandescent/halogen lamps, fluorescent lamps, Energy saving lamps, LEDs
Ambient temperature	-10 °C ... +55 °C
Protection class	II
Type of protection	IP 41

Connection example



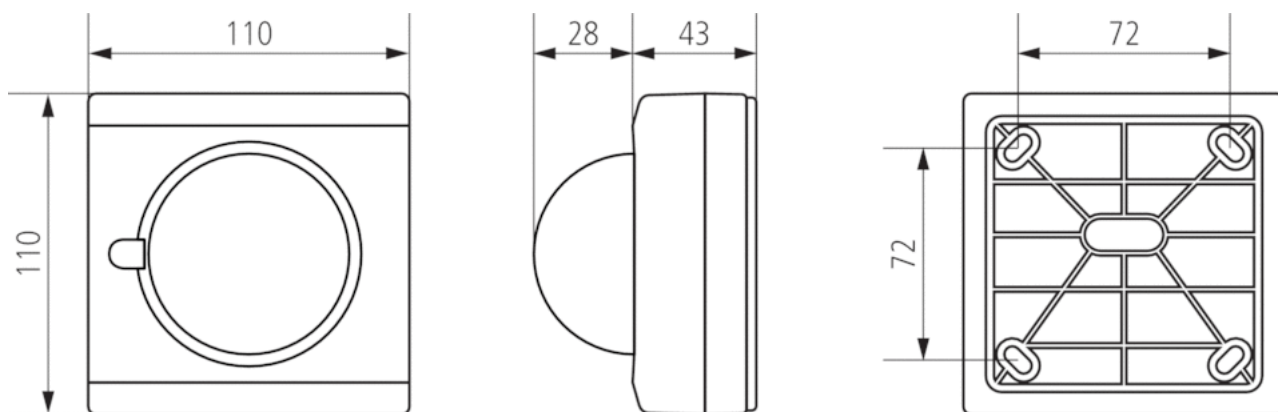
Detection range

Mounting height (A)	Sitting (S)	Walking (T)
2 m	4 m	9 m
2,5 m	5 m	14 m
3 m	5 m	12 m
3,5 m	6 m	14 m
4 m	5 m	12 m



Article number: 1040362

Scale drawings



Accessories

SPHINX RC 104 Pro

- Article number: 9070536
 Details ▶ www.theben.de



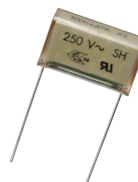
SPHINX RC 104

- Article number: 9070538
 Details ▶ www.theben.de



RC filter

- Article number: 9070523
 Details ▶ www.theben.de



Product selection

Channel	Detection angle	Colour	Type	Article number
Light Presence	360°	Pure white (similar to RAL 9010)	SPHINX 104-360/2 AP	1040362