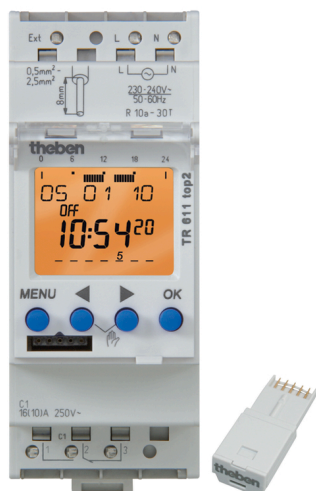


## Description



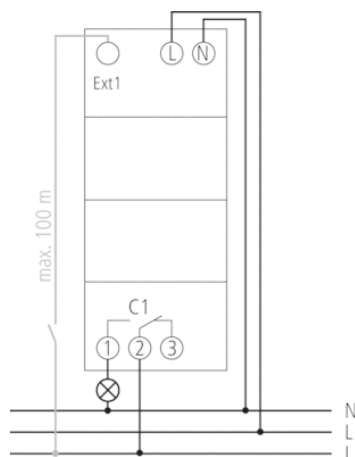
- Digital time switch with weekly program
- 1 channel
- External input
  - Connectable sensors (external selector switch, sequence timer)
  - Connectable switches (ON or OFF permanent switching)
- DuoFix spring terminals
  - For 2 conductors each
  - Wire or strand (with or without wire end sleeve)
  - Wire diameter: 0.5 - 2.5 mm<sup>2</sup>
  - Button for releasing plug-in connection
- Text-oriented user guidance in display
  - Preset date and time
  - fully operable without mains connection
- 84 memory locations
- Interface for OBELISK top2 memory card (PC programming)
  - 2. insertable switching program
  - Copying programs
  - Storing programs
- OBELISK memory card included in delivery
- 10 year power reserve (lithium battery)
- Zero-cross switching for relay-saving switching and high lamp loads (not with 24 V devices)
- ON-OFF switching times
- Pulse program
- Cycle program
- Switching preselection
- Permanent switching ON/OFF
- Timer countdown
- Integrated operating hour counter
  - Reset option
  - Service function for monitoring maintenance intervals
- Holiday program
- 2 random programs
- Display back light (can be turned off)
- Permanent switching ON/OFF
- PIN coding
- Automatic summer/winter time changeover
  - can be deactivated
  - Date rule options are already stored for Europe, the USA and other countries
  - own date rule options or changeover around set dates are available

## Technical data

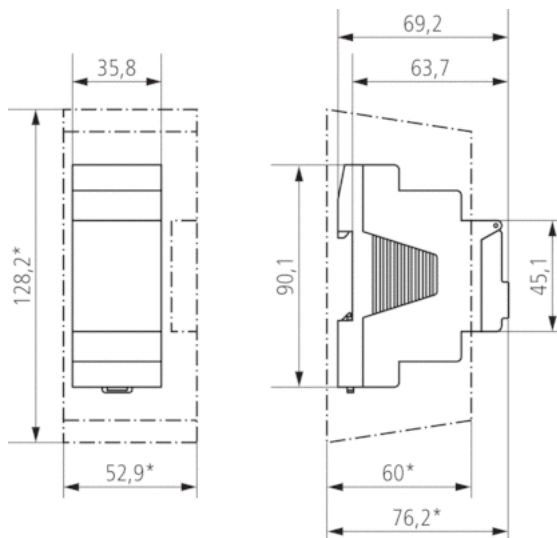
|                    |                      |
|--------------------|----------------------|
| Operating voltage  | 230 – 240 V AC       |
| Frequency          | 50 – 60 Hz           |
| Width              | 2 modules            |
| Installation type  | DIN rail             |
| Type of contact    | Changeover contact   |
| Switching output   | Phase-independent    |
| Opening width      | < 3 mm               |
| Program            | Weekly program       |
| Program functions  | ON-OFF, Pulse, Cycle |
| Number of channels | 1                    |
| External inputs    | 1                    |

|   |  |
|---|--|
| Number of memory locations                              | 84   |
| Power reserve   | 10 years   |
| Switching capacity at 250 V AC, $\cos \varphi = 1$      | 16 A   |
| Switching capacity at 250 V AC, $\cos \varphi = 0,6$    | 10 A   |
| Incandescent/halogen lamp load 230 V                    | 2600 W   |
| Energy saving lamps 230 V                               | 170 W  |
| LED lamp < 2 W  | 30 W   |
| LED lamp 2-8 W  | 100 W  |
| LED lamp > 8 W  | 120 W  |
| Fluorescent lamp load (conventional) not corrected      | 1000 VA  |
| Fluorescent lamp load (conventional) series-corrected   | 1000 VA  |
| Fluorescent lamp load (conventional) parallel-corrected | 730 VA 80 $\mu$ F  |
| Switching capacity min.                                 | ca. 10 mA  |
| Shortest switching times                                | 1 s  |
| Time accuracy at 25 °C                                  | typical $\pm 0,25$ s/day (quartz)                            |
| Time basis  | Quartz   |
| Stand-by consumption                                    | $\sim 0,8$ W   |
| Capacity loss max.                                      | 1,3 W  |
| Memory card supplied                                    | <input type="checkbox"/>                                     |
| Test approval   | VDE  |
| Type of connection                                      | DuoFix spring terminals                                      |
| Keyboards   | 4 touch buttons  |
| Housing and insulation material                         | High-temperature resistant, self-extinguishing thermoplastic |
| Type of protection                                      | IP 20  |
| Protection class  | II according to EN 60 730-1                                  |
| Ambient temperature                                     | -30 °C ... +55 °C  |

### Connection example



## Scale drawings



## Accessories

### Wall mounting kit 35 mm

- Article number: 9070064  
Details ▶ [www.theben.de](http://www.theben.de)



### PC set OBELISK top2

- Article number: 9070409  
Details ▶ [www.theben.de](http://www.theben.de)



### Memory card OBELISK top2

- Article number: 9070404  
Details ▶ [www.theben.de](http://www.theben.de)



### Front panel kit

- Article number: 9070001  
Details ▶ [www.theben.de](http://www.theben.de)

