



Ref : JAI / GC / 2026
Date : 01.07.2026



Dear Sir,

At the outset, we thank you all for patronizing our products. As you are aware, our **JAIBALAJI** products are the **ONLY PRODUCTS** available in India with  &  Markings and **IP-67** Protection. We are also an **ISO 9001 : 2015** Certified company offering **QUALITY PLUS** Products at **MOST COMPETITIVE PRICE**. **JAIBALAJI** Products are manufactured making use of **UL Listed V2 Flame Retardant Grade 960°** Glow Wire Tested Anti corrosive Anti-Acid unbreakable **Engineering Plastic** and are fully insulated. Our wide range of products are **Illuminated Push Buttons, Pilot lights, Push Button Stations (Plastic & Metal) LED Electronic Module Indicating lights (16.5 mm & 22.5 mm dia) Electronic signal Tower lights (LED & BULB) Electronic Proximity Sensors (Photo Sensors, Diffuse, Thro' Beam, Colour mark, Inductive & Capacitive) Electronic Timer Din Rail (Analog & Digital) Electronic Digital Counter / Timer, Digital Meters AC / DC Voltmeter, Ammeter, Digital Panel Meters, Frequency Meters, Variety of Limit Switches, like BC-9, BC-9T, JW Micro Adjustable, CEE EM 45, Precision, Miniature Snap Action, Mini Limit Switches, Heavy Duty Limit Switches JB - 2700, Extra Heavy Duty JC-1125 Limit Switches, Explosion Proof EPHA Limit Switches, Foot Switches, Engineering Plastic Industrial Plug & Sockets, and Connectors Cam Operated Rotary Switches, variety of different sizes of Junction Boxes (Engineering Plastic & Metal) and Telescopic Brushes, Pullcord, Beltsway, Zero speed switch & Rocker switch. Distribution Boxes, Pendent Pushbutton stations, CEE EM 45 Mini Limit Switch, Bus bar Indicator & Reed Magnetic Switch**

DEALERS ENQUIRIES ARE SOLICITED

This supersedes all previous Price Lists, Prices are subject to change without prior notice, Prices at the time of supply will be applicable.

Your continued patronage and kind co-operation will be very much appreciated.

Thanking you and assuring you of our best services always.

Yours faithfully,

for 



CHANAKYACHANDRAMOHAN

Encl : as above.

New No. 107, Sidco Industrial Estate

Post Box No. 27, Ambattur,

Chennai - 600 098. India

Phone : 0091 - 44 - 2625 1279

0091 - 44 - 2625 4469

0091 - 44 - 2625 4470

0091 - 44 - 2625 7174

0091 - 44 - 2625 7859

Fax : 0091 - 44 - 2625 5038

E-mail : dchandramohan@jaibalaji.firm.in

WEBSITE : www.jaibalaji.firm.in

S.No.	List of Electronic Items	Page No
1	ISO Certificate	1-3
2	ISI Certificate	4-9
3	CSA Certificate	10-12
4	LED Module Indicating Lights	13
5	Rocker switch	14
6	Electronic Signal Tower light	15-16
7	Electronic mini tower light	16
8	Inductive Proximity switches	17-20
9	Capcitive Proximity switches	21-22
10	Photo electronic sensors	23-27
11	Analog Timer Digital Timer Din Rail	27
12	Electronic Digital counter Timer	27-28
13	AC Volt meter AC Ammeter	29
14	Electronic digital meter	30
15	Frequency meter	31
16	DC Ammeter	32
17	Electronic bus bar indicator	32
18	Pullcord & Belt sway Switches	33-34
19	Zero speed Switch	35



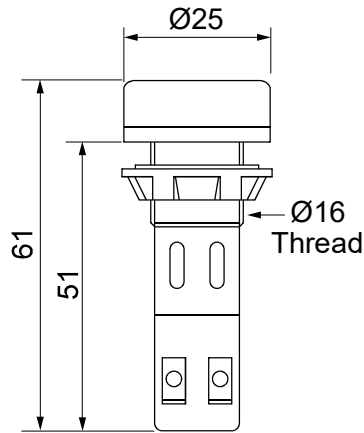
ELECTRONIC ULTRA BRIGHT LED MODULE INDICATING LIGHTS Ø16.5mm and Ø22.5mm

WITH    MARKS

CATALOGUE CUM PRICE LIST

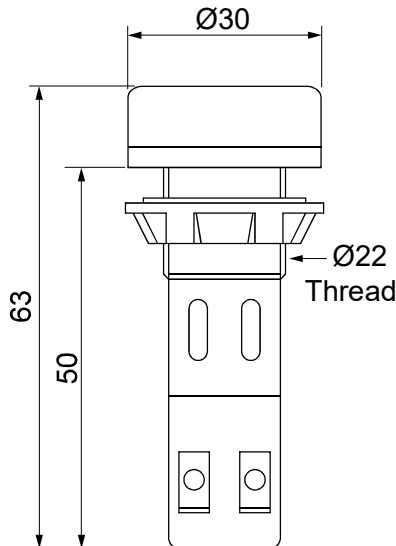
Best Illumination due to maximum LEDs.
80% Energy Saving.
Zero failure probability due to LED technology.
Fits with 16.5 & 22.5 mm standard cutouts.
Suitable for standard voltage ranges.

Non standard voltage ranges available on request.
Immune to vibration and shock resistance.
Rugged, Long lasting & Economic.
Low voltage glow protection.



16.5 mm Dia

	12/24/48V AC / DC	110V AC	230V AC	110/230V DC
YELLOW	Rs. 153	Rs. 153	Rs. 153	Rs. 153
RED	Rs. 153	Rs. 153	Rs. 153	Rs. 153
AMBER	Rs. 153	Rs. 153	Rs. 153	Rs. 153
BLUE	Rs. 153	Rs. 153	Rs. 153	Rs. 153
GREEN	Rs. 153	Rs. 153	Rs. 153	Rs. 153
WHITE	Rs. 153	Rs. 153	Rs. 153	Rs. 153



22.5 mm Dia

	12/24/48V AC / DC	110V AC	230V AC	110/230V DC
YELLOW	Rs. 171	Rs. 171	Rs. 171	Rs. 171
RED	Rs. 171	Rs. 171	Rs. 171	Rs. 171
AMBER	Rs. 171	Rs. 171	Rs. 171	Rs. 171
BLUE	Rs. 171	Rs. 171	Rs. 171	Rs. 171
GREEN	Rs. 171	Rs. 171	Rs. 171	Rs. 171
WHITE	Rs. 171	Rs. 171	Rs. 171	Rs. 171

All above LED modules with low voltage glow protection add Rs.117/- each extra. LED module Universal voltage 24-240V AC/DC (Yellow, Red, Amber, Blue, Green, White) -Rs.234/- each extra.

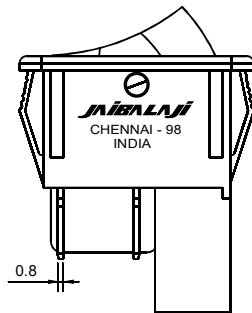
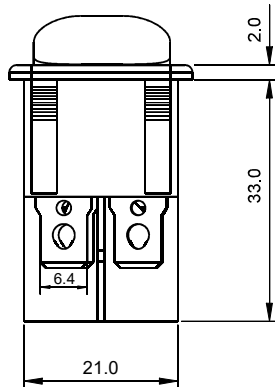
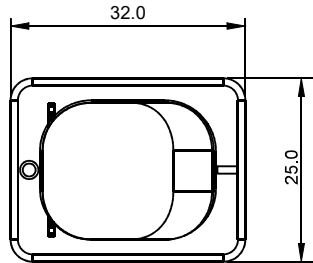
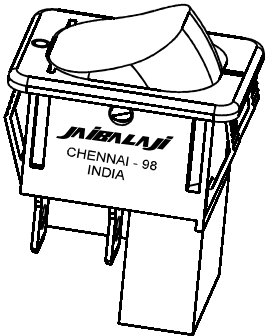


CONTROL GEARS PVT. LTD
Post Box No. 27, 89 (New No. 107), SIDCO Industrial Estate, Ambattur, Chennai -600 098. India
Phone: +91 44 26251279 / 26257859 / 26254470 Fax: +91 44 26255038.
E-mail: dchandramohan@jaibalaji.firm.in Web: jaibalaji.in

JAIBALAJI

ROCKER INDICATOR SWITCH

CATALOGUE CUM PRICE LIST



MATERIALS :

Body	Nylon 6/6 (UL 94V-2)
Rocker	Polycarbonate (UL 94V-2)
Contact surface	Silver
Terminal	Silver Plated Brass
Illuminated rocker	LED

SPECIFICATIONS :

Contact rating	16A, 250V AC resistive 20A, 125V AC motor
Bezel size	32mm x 25mm
Panel cut out	30mm x 22mm
Length behind bezel	33.0mm (including terminals)

GENERAL CHARACTERISTICS :

Operating temperature	-30°C to 50°C
Safety standard approval	UL 1054
Available options	red, amber, orange, green, white and blue
Switch Type	DPST

	230V,110V,48V,24V AC OR DC
YELLOW	MRP Rs. 72
RED	MRP Rs. 72
AMBER	MRP Rs. 72
BLUE	MRP Rs. 72
GREEN	MRP Rs. 72
WHITE	MRP Rs. 72

LIFE EXPECTANCY

Mechanical	30000 Cycles
Electrical	10000 Cycles
Contact resistance	20 mOhm max, initial @ 2-4V DC
Insulation resistance	>10000 mOhm

Illuminated rocker switch is easier to find in the dark. Indicator lights allow users to see the state of the switch.

Typical Applications

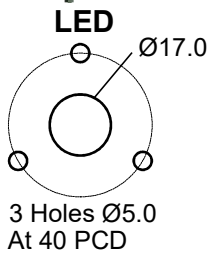
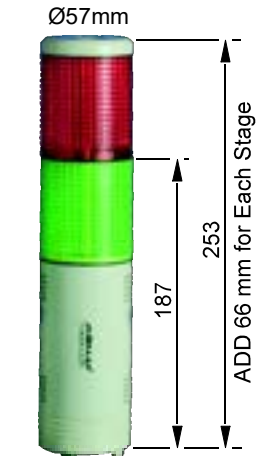
Cars
Boats
Military goods
Aircrafts
Coffee Maker
Rice Cooker

JAIBALAJI
CONTROL GEARS PVT. LTD

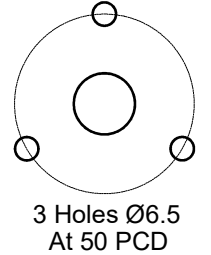
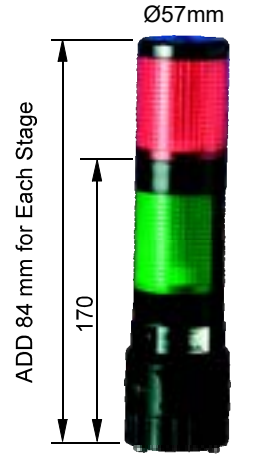
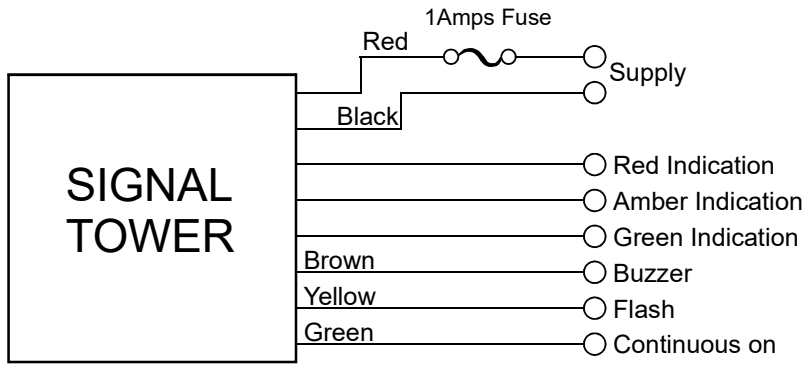
Post Box No. 27, 89 (New No. 107), SIDCO Industrial Estate, Ambattur, Chennai -600 098. India
Phone: +91 44 26251279 / 26257859 / 26254470 Fax: +91 44 26255038.
E-mail: dchandramohan@jaibalaji.firm.in Web: jaibalaji.in

JAIBALAJI

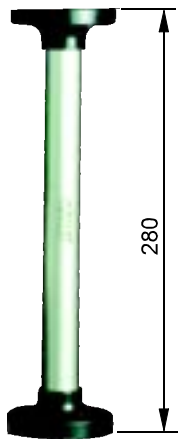
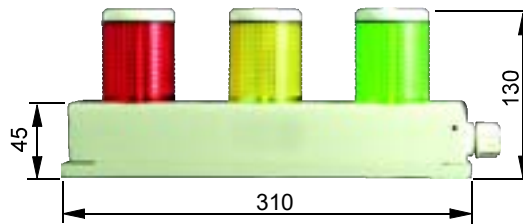
ELECTRONIC LED SIGNAL TOWER LIGHT CATALOGUE CUM PRICE LIST



CONNECTION DIAGRAM

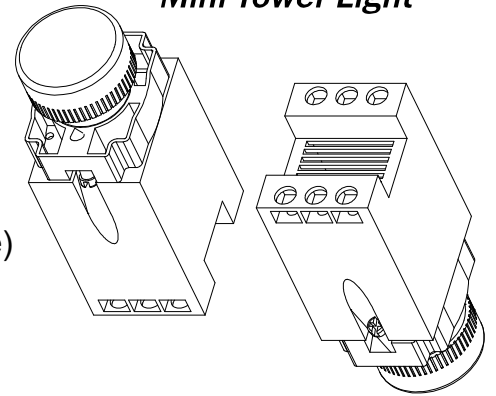


Bus Bar Indicator



Single	Red
Double	Red , Green
Triple	Red , Yellow , Green
Four	Red , Yellow , Green, (White or Blue)
Five	Red , Yellow , Green, Blue, White

Mini Tower Light



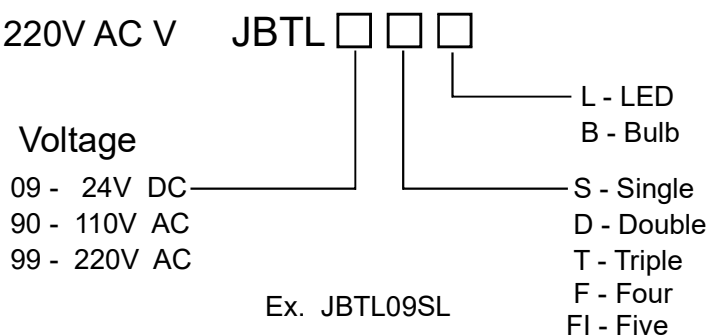
TECHNICAL SPECIFICATION

Voltage Range - 24V AC/DC 110V AC, 220V AC V

POWER

	LED	Bulb
Single	4W	5 / 10W
Double	6W	10 / 20W
Triple	8W	15 / 30W

ORDERING CODE





ELECTRONIC LED SIGNAL TOWER LIGHT

230V AC with Flash & Buzzer

M.R.P
Each RS.

Sl. No	Type No.	Stack	Standard Color	
1.	JBTL 99 SL (FB)	Single	Red	2565
2.	JBTL 99 DL (FB)	Double	Red, Green	3429
3.	JBTL 99 TL (FB)	Triple	Red, Yellow, Green	4005
4.	JBTL 99 FL (FB)	Four	Red, Yellow, Green, (White or Blue)	5265
5.	JBTL 99 FIL (FB)	Five	Red, Yellow, Green, Blue, White	5715

230V AC without Flash with Buzzer

Sl. No	Type No.	Stack	Standard Color	
1.	JBTL 99 SL (B)	Single	Red	2295
2.	JBTL 99 DL (B)	Double	Red, Green	3159
3.	JBTL 99 TL (B)	Triple	Red, Yellow, Green	3852
4.	JBTL 99 FL (B)	Four	Red, Yellow, Green, (White or Blue)	4572
5.	JBTL 99 FIL (B)	Five	Red, Yellow, Green, Blue, White	5652

24V DC with Flash & Buzzer

Sl. No	Type No.	Stack	Standard Color	
1.	JBTL 09 SL (FB)	Single	Red	2259
2.	JBTL 09 DL (FB)	Double	Red, Green	3060
3.	JBTL 09 TL (FB)	Triple	Red, Yellow, Green	3465
4.	JBTL 09 FL (FB)	Four	Red, Yellow, Green, (White or Blue)	4833
5.	JBTL 09 FIL (FB)	Five	Red, Yellow, Green, Blue, White	5562

24V DC without Flash with Buzzer

Sl. No	Type No.	Stack	Standard Color	
1.	JBTL 09 SL (B)	Single	Red	1737
2.	JBTL 09 DL (B)	Double	Red, Green	2610
3.	JBTL 09 TL (B)	Triple	Red, Yellow, Green	3294
4.	JBTL 09 FL (B)	Four	Red, Yellow, Green, (White or Blue)	4419
5.	JBTL 09 FIL (B)	Five	Red, Yellow, Green, Blue, White	5202

110V AC with Flash & Buzzer

Sl. No	Type No.	Stack	Standard Color	
1.	JBTL 90 SL (FB)	Single	Red	3096
2.	JBTL 90 DL (FB)	Double	Red, Green	3807
3.	JBTL 90 TL (FB)	Triple	Red, Yellow, Green	4473
4.	JBTL 90 FL (FB)	Four	Red, Yellow, Green, (White or Blue)	5373
5.	JBTL 90 FIL (FB)	Five	Red, Yellow, Green, Blue, White	5301

110V AC without Flash with Buzzer

Sl. No	Type No.	Stack	Standard Color	
1.	JBTL 90 SL (B)	Single	Red	2736
2.	JBTL 90 DL (B)	Double	Red, Green	3429
3.	JBTL 90 TL (B)	Triple	Red, Yellow, Green	4140
4.	JBTL 90 FL (B)	Four	Red, Yellow, Green, (White or Blue)	4869
5.	JBTL 90 FIL (B)	Five	Red, Yellow, Green, Blue, White	5715

Sl. No	ELECTRONIC MINI TOWER LIGHT 22.5 MM	M.R.P. Each RS.
1.	LED Indicating with Flash and Buzzer Red Colour	657
2.	LED Indicating with Flash and Buzzer Amber Colour	657
3.	LED Indicating with Flash and Buzzer Yellow Colour	657
4.	LED Indicating with Flash and Buzzer Green Colour	657
5.	LED Indicating with Flash and Buzzer White Colour	657
6.	LED Indicating with Flash and Buzzer Blue Colour	657



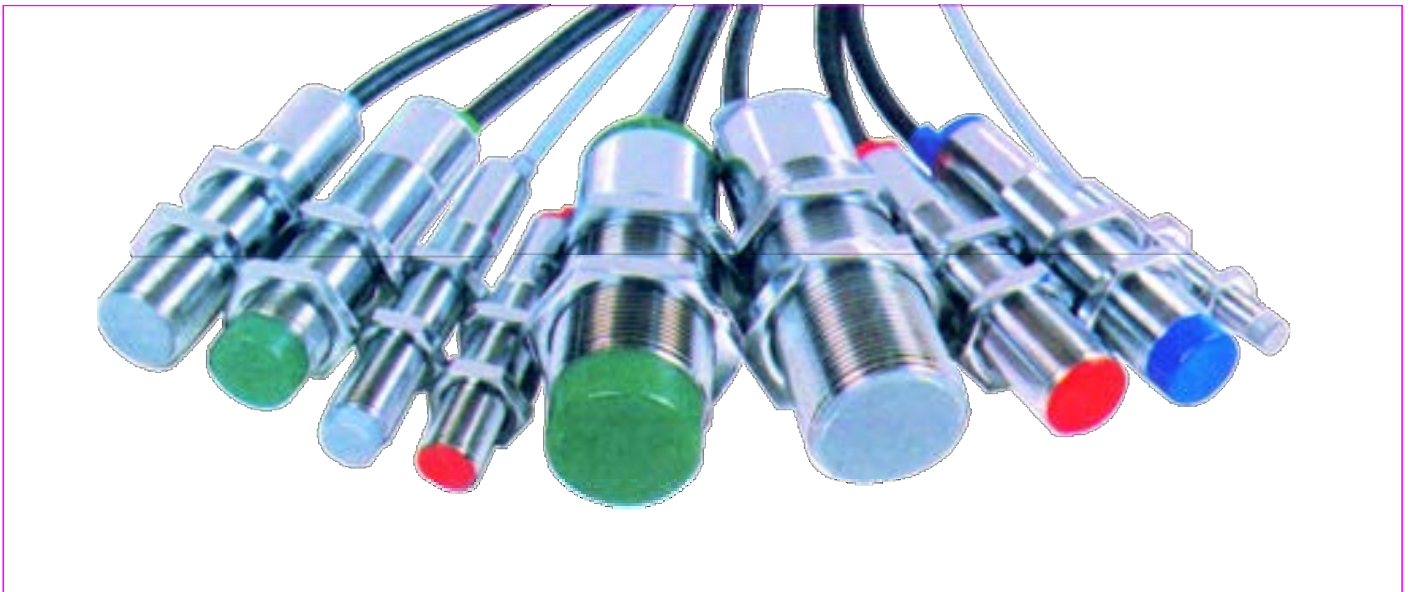


JNIBALAJI

RECOGNITION OF *Quality Plus*

INDUCTIVE PROXIMITY SWITCHES

CATALOGUE CUM PRICE LIST



FEATURES:

- * REF : STANDARD IEC 947-5-2
- * REVERSE POLARITY PROTECTION
- * SHORT CIRCUIT PROTECTION
- * OVERLOAD PROTECTION
- * FALSE PULSE DURING
- * POWER ON/OFF PROTECTION

JNIBALAJI India's ONLY manufacturers of ISI
Limit Switches has another range of high quality
Inductive Proximity sensors with

INDUCTIVE PROXIMITY SWITCHES

REF : STANDARD : IEC 947-5-2

Inductive Proximity switches are used to identify the presence of metal objects, speed measurements, position sensing, counting etc., without any physical contact with the objects. It enhances the durability of the switch and ensures maintenance free work.

Inductive Proximity switch generates high frequency alternating field at the active face by the oscillator circuit. When any metal object is brought into the field it causes oscillation to stop. Hence the demodulated voltage feeding the trigger disappears.

DC Inductive Proximity Switches:

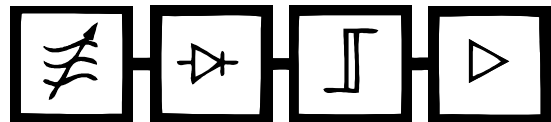
For DC switches the trigger operates rapidly when oscillation stops. This trigger switches the O/P, NPN/PNP transistor to drive an electronic circuit or relay.

AC Inductive Proximity Switches:

For AC switches a thyristor is triggered when oscillation stops. This thyristor is connected in series with a bridge and this series combination is connected to the AC load.

APPLICATIONS:

- AUTOMOBILE INDUSTRIES
- STEEL INDUSTRIES
- PACKAGING INDUSTRIES
- METAL HANDLING EQUIPMENT
- PROCESS AUTOMATION
- CNC / NC MACHINES
- CONVEYOR EQUIPMENT ETC.,



Resonant circuit oscillator stop when metal is sensed

Demodulator converts oscillator signal to DC voltage level

Trigger changes condition when oscillator stops

Output amplifier to drive load

DC SWITCHES SPECIFICATIONS

Reference: STANDARD : IEC 947-5-2

Nominal Voltage	10 - 30 VDC
Voltage Drop	0.8 - 7 V*
Load Current	300 mA *
No Load Current	10 - 20 mA *
Switching Frequency	200 HZ **
Ambient Temperature	-25° C To +60° C
Hysteresis	≤15%
Sensing Distance Tolerance	±10%

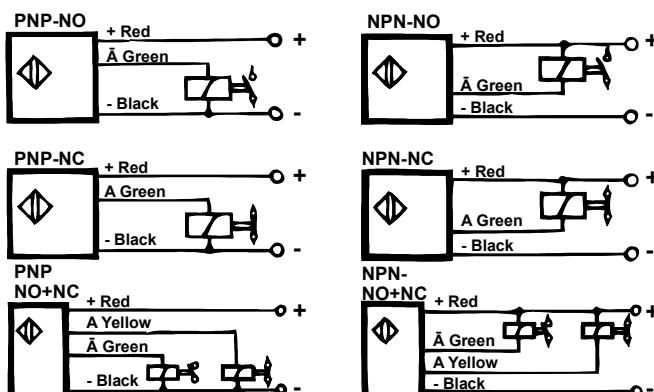
AC SWITCHES SPECIFICATIONS

Reference: STANDARD : IEC 947-5-2

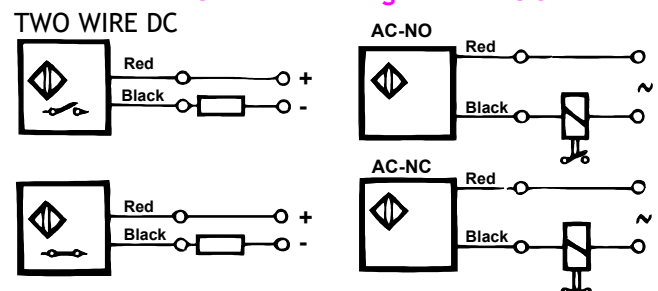
Nominal Voltage	90 - 250 VAC
Voltage Drop	8 V
Load Current	500 mA Max
No Load Current	5 mA
Switching Frequency	15 HZ Max **
Ambient Temperature	-25° C To +60° C
Hysteresis	≤15%
Sensing Distance Tolerance	±10%

- . Specification Varies depending on Switch Type.
- .. Specification Varies depending on Switch Size & Range.

Connection Diagram for DC Switches



Connection Diagram for AC Switches



INDUCTIVE PROXIMITY SWITCHES

TECHNICAL SPECIFICATIONS

DIMENSIONS in mm

MODEL	HOUSING	FLUSH / NON-FLUSH	MOUNTING THREAD	L1	L2	L3	NUT	ELECTRICAL TYPE	LED	SENSING DISTANCE Sn	TYPE OF PROTECTION
JB 8	M	F	8X1	35	60		14	PN	-	1	IP 67
JB 8	S	L	8X1	40	65		14	PN	-	1.5	IP 67
JB 12	M	L	12X1	45	65	5	17	PN	✓	4	IP 67
JB 12	M	F	12X1	55	75		17	PN	✓	2	IP 67
JB 12	S	L	12X1	50	70	3	17	PN	✓	4	IP 67
JB 18	S	L	18X1	55	75	7	24	TPNBA	✓	8	IP 67
JB 18	M	L	18X1	50	70	7	24	TPNBA	✓	8	IP 67
JB 18	M	F	18X1	55	75		24	TPNBA	✓	5	IP 67
JB 30	S	L	30X1.5	55	75	12	36	TPNBA	✓	15	IP 67
JB 30	M	L	30X1.5	45	65	12	36	TPNBA	✓	15	IP 67
JB 30	M	F	30X1.5	55	75		36	TPNBA	✓	10	IP 67
JB 36	M	L	36X1.5	45	65	20	44	TPNBA	✓	20	IP 67
JB 36	M	F	36X1.5	45	65		44	TPNBA	✓	15	IP 67
JB 50	M	L	50X1.5	40	60	16	57	TPNBA	✓	25	IP 67
JB 50	M	F	50X1.5	40	60		57	TPNBA	✓	20	IP 67

(NOTE :- STANDARD WIRE LENGTH PROVIDED - 2 MTS ONLY)

M-METAL
S-SYNTHETIC
F-FLUSH
L-NON-FLUSH
P-PNP

N-NPN

PN-THREE WIRE DC
T-TWO WIRE DC

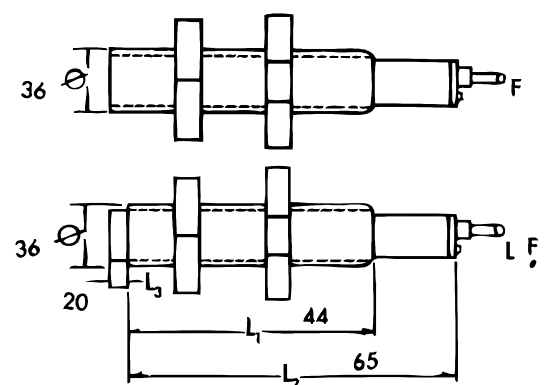
B-FOUR WIRE DC (NO + NC)

A-TWO WIRE AC

P₁ - PNP NO
P₂ - PNP NC
N₁ - NPN NO
N₂ - NPN NC

T₁ - 2 WIRE NO
T₂ - 2 WIRE NC
B₁ - PNP NO + NC
B₂ - NPN NO + NC
A₁ - AC NO
A₂ - AC NC

DIMENSIONS in mm



ORDERING CODE

Model. _____
Electrical Type T.P.N.B.A _____
Flush - F/ Non Flush - L _____
Housing (Metal-M / Synthetic-S) _____

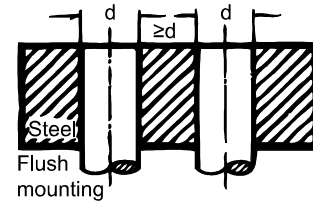
JB ET F/L M/S

Eg.: JB 18 T1 L S
JB 18 T2 FL M

Model denotes the size

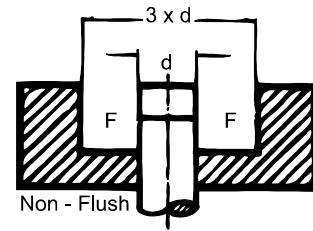
FLUSH MOUNTING IN METAL:

A proximity switch can be flush mounted in metal if it can be surrounded by metal up to the level of the active face, without changing its present characteristics. In order to avoid interference when mounting side by side, a spacing distance, corresponding to the diameter of the switch must be maintained.



NON FLUSH MOUNTING :

A proximity switch can be flush mounted in metal if zone is required for maintaining the characteristic values of the switch. A clear zone of 3x the diameter of the sensing surface should be maintained.



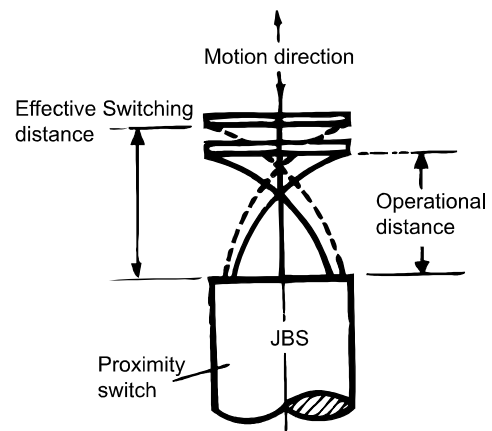
F - Clear zone containing only material that is non-conducting and has no magnetic properties

EFFECTIVE SWITCHING DISTANCE:

It is the switching distance when voltage and temperature can be at any value within the rating of the switch and this will be between 81 & 121% of switching distance.

OPERATIONAL DISTANCE:

It is the distance at which the operation of the proximity switch, under stated temperature and voltage conditions is guaranteed within 0 and 81% of the nominal switching distance.



SOME IMPORTANT CORRECTION FACTORS:

WHEN TARGET MATERIAL IS NOT STEEL

Chrome - nickel	approx. 0.9 x Sn
Brass	approx. 0.5 x Sn
Aluminium	approx. 0.4 x Sn
Copper	approx. 0.4 x Sn

PRICE LIST

3 Wire DC -PN Which includes: P1-PNP-NO, P2-PNP-NC & N1-NPN-NO, N2-NPN-NC		4 Wire DC - B B1- PNP- NO + NC & B2 - NPN - NO + NC		2 Wire DC - T T1 - NO & T2 - NC		2 Wire AC - A A1-NO&A2-NC	
JAIBALAJI Code	M.R.P. Rs.	JAIBALAJI Code	M.R.P. Rs.	JAIBALAJI Code	M.R.P. Rs.	JAIBALAJI Code	M.R.P. Rs.
JB 8 PN	1251	JB 12 B	1116	JB 18 T	1125	JB 12 A	1251
JB 12 PN	954	JB 18 B	1143	JB 30 T	1422	JB 18 A	1116
JB 18 PN	954	JB 30 B	1413	JB 36 T	1566	JB 30 A	1404
JB 30 PN	1143	JB 36 B	1530	JB 50 T	1719	JB 36 A	1548
JB 36 PN	1242	JB 50 B	1701			JB 50 A	1710
JB 50 PN	1557						



Post Box No. 27, 89 (New No. 107),SIDCO Industrial Estate,Ambattur, Chennai -600 098. India
 Phone: +91 44 26251279 / 26257859 / 26254470 Fax: +91 44 26255038.
 E-mail: dchandramohan@jaibalaji.firm.in Web: jaibalaji.in

MIBALAJI

CAPACITIVE PROXIMITY SWITCHES

CATALOGUE CUM PRICE LIST

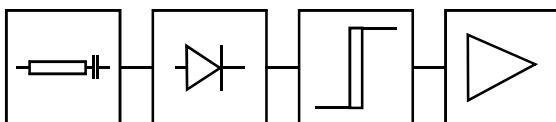


India's ONLY manufacturer of ISI marked Limit Switches has another range of high quality Capacitive Proximity Switches

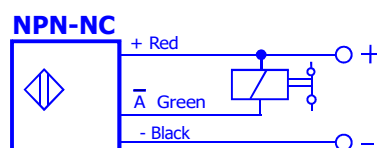
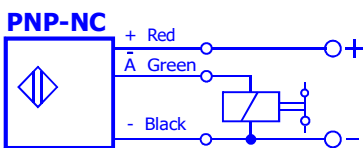
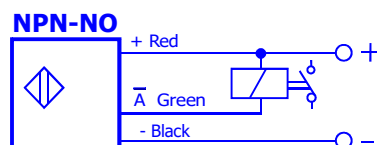
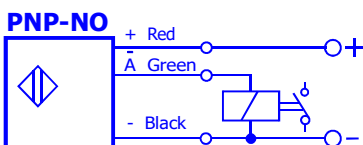
Capacitive Proximity Switches serves as a contactless sensors for positioning, monitoring and detecting all types of material. Capacitive Proximity Switch consists of an Oscillator, a Rectifier and an Amplifier. The capacitance between the sensing surface and mass increases when an object approaches active surface. When the capacitance value exceeds the preset level, oscillator generates AC signals. The Rectifier section converts this AC signal into DC and Amplifier amplifies this signal to drive a relay or a circuit.

APPLICATIONS

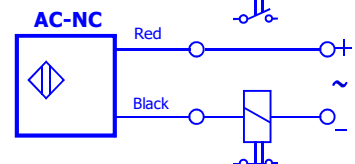
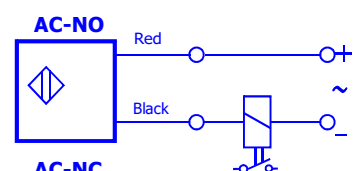
- Packaging Industries
- Chemical Industries
- Automobile Industries
- Wood Working Machinery



Connection Diagram for DC Switches



Connection Diagram for AC Switches





CAPACITIVE PROXIMITY SWITCHES

SPECIFICATIONS

DC Switches		AC Switches	
Supply Voltage	10 - 30 V	Supply Voltage	90 - 250 V
Voltage Drop	≤ 1.5 V	Voltage Drop	≤ 15 V
Load Current	250 mA	Load Current	250 mA
Switching Frequency	200 Hz	Switching Frequency	5 Hz
Hysteresis	≤ 25%	Hysteresis	≤ 25%
Sensing Distance	8 - 15 mm*	Sensing Distance	8 - 15 mm*
Ambient Temperature	0 - 70 °C	Ambient Temperature	0 - 70 °C
Protection	IP 65	Protection	IP 65
Sensitivity Adjustment	Through Potentiometer	Sensitivity Adjustment	Through Potentiometer

* Sensing range depends on materials and surrounding environment

Model	Housing	Size	Type
JBC 18	M/S	M18 X 75	D
JBC 30	M/S	M30 X 75	A,D

D	- DC	A	- AC
D ₁	- PNPNO	A ₁	- ACNO
D ₂	- PNPNC	A ₂	- ACNC
D ₃	- NPNNO		
D ₄	- NPNNC		

CORRECTION FACTOR

Metal	1.0
PVC	0.6
Glass	0.5
Water	1.0
Oil	0.2
Wood	0.2

To achieve the optimum performance each switch has to be adjusted for the working environment. If the object is a conductive material, it needs proper earthing.

REED MAGNETIC SWITCH (CODE: JBRM)

Reed magnetic switch contains a reed switch and a magnet enclosed in a separate housing. When the magnet passes nearby the reed switch it changes the output contact.

PRICE LIST

S.No.	JAIBALAJI Code	M.R.P. Rs.
1	JBCD 18	1737
2	JBCD 30	1917
3	JBCD 36	1980
4	JBCD 50	2079

SPECIFICATION

Enclosure	Aluminium or Plastic
Sensing distance	20mm Max.
Switching frequency	1Hz
Temperature	0 - 100 °C
Output contact	NO or NC
Contact rating	200 mA
Protection	P 67

*Potential free contacts suitable for voltage upto 220V AC



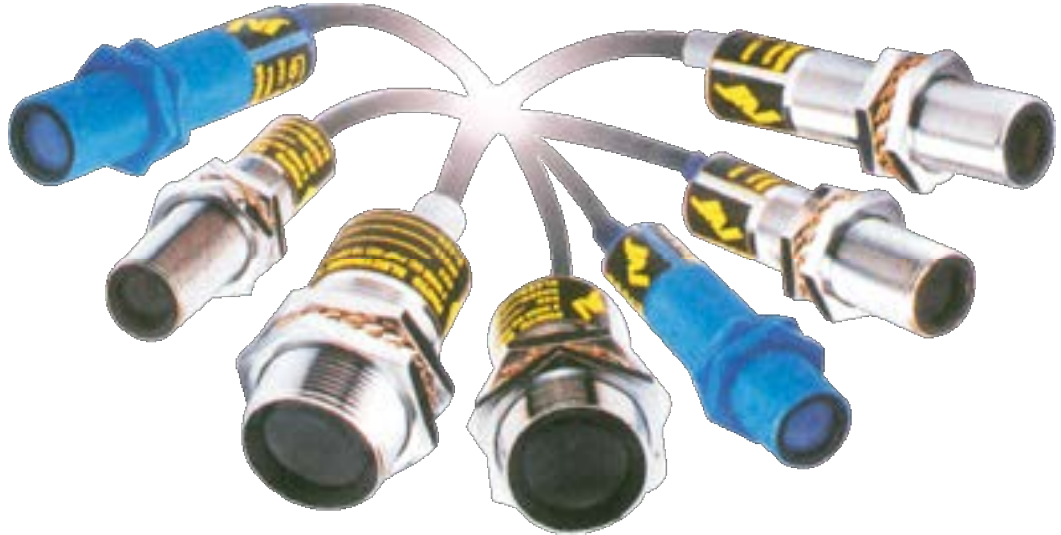
Post Box No. 27, 89 (New No. 107),SIDCO Industrial Estate,Ambattur, Chennai -600 098. India
Phone: +91 44 26251279 / 26257859 / 26254470 Fax: +91 44 26255038.
E-mail: dchandramohan@jaibalaji.firm.in Web: jaibalaji.in

PHOTO ELECTRONIC SENSORS

JAI BALAJI

PHOTO ELECTRONIC SENSORS

CATALOGUE CUM PRICE LIST



India's ONLY manufacturer of ISI marked Limit Switches has another range of high quality Photo Electronic Sensors

- Long detecting distance
- Stable detection
- External light security
- Accurate sensitivity setting
- Short circuit protection
- Reverse polarity protection
- False pulse during power on / off protection



PHOTO ELECTRONIC SENSORS

Photo Electronic Sensors are used to sense all kinds of objects at higher sensing distance compared to Inductive Proximity Switches and Capacitive Proximity Switches.

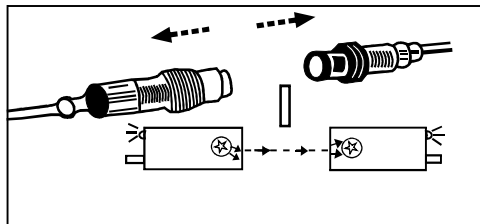
APPLICATIONS

- Door opening devices
- Packaging machines
- Wood working machines
- Machine tools
- Process automation
- Plastic forming machines
- Textile machinery
- Conveyor equipment

Photo Electronic Sensor consists of an Emitter, a Receiver and an Amplifier. Pulsed Infra-Red light beam is generated by the Emitter. This effective beam is reflected either by an object or by a reflector (depending on the type of sensor) and it returns to the receiver. The receiver converts the reflected incoming light signal into electrical signal, and the built-in amplifier amplifies the electric signal. The amplified signal drives output transistor (either NPN OR PNP) which in turn drives an Electronic circuit or a relay. Either of the following three types of Photo Electronic Sensors can be used to sense an object based on their sizes and colours.

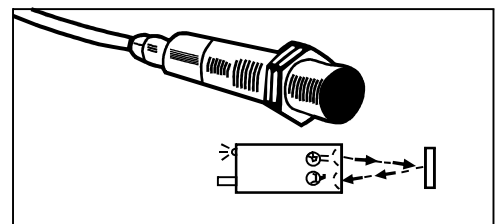
Thru Beam Type:

Emitter and Receiver are enclosed in different housing. The beam from the Emitter directly reaches the Receiver. Any interruption in the beam results in switching action.



Diffuse Reflective Type:

Both Emitter and Receiver are enclosed in a single housing. Infra-red light beam from emitter is reflected by an object. This reflected beam causes a change in receiver and produces an output signal.



Retro Reflective Type:

Emitter and Receiver are enclosed in a single housing and are aligned with a reflector. A continuous beam of light from the reflector reaches the receiver. Any interruption in the beam will result in an output signal from the receiver.

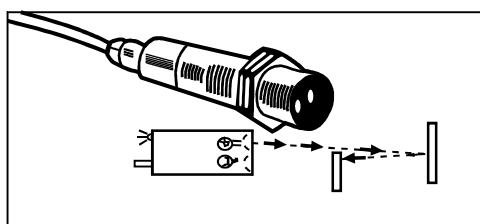


PHOTO ELECTRONIC SENSORS

ELECTRICAL DATA

Specifications	DC Switches	AC Switches
Supply Voltage	10- 30 V	90 - 230 V
Voltage Drop	≤ 2.5 V	≤ 8 V
Load Current	200 mA	200 mA
Switching Frequency	25 Hz	5 Hz
Hysteresis	≤ 5%	≤ 15%
Ambient Temperature	0° C to 50° C	0° C to 50° C

AC Switches are available in JBT 30 only.

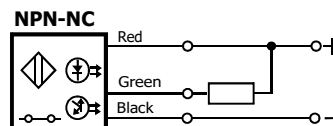
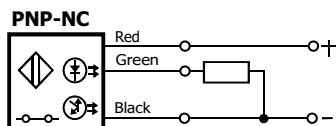
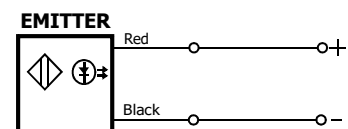
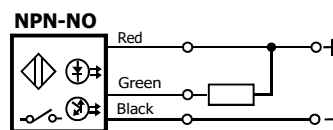
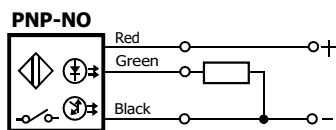
TECHNICAL DATA

Model	Housing	Size	Range		LED	Sensitivity Adjustment	Protection
JBD 18	M/S	M18 x 75	100mm	DF	✓	✓	IP 67
JBD 30	M/S	M30 x 75	300mm	DF	✓	✓	IP 67
JBR 18	M/S	M18 x 75	400mm	DF	✓	✓	IP 67
JBR 30	M/S	M30 x 75	1000mm	DF	✓	✓	IP 67
JBT 18	M/S	M18 x 75	5000mm	DF	✓	✓	IP 67
JBT 30	M/S	M30 x 75	10000mm	ADF	✓	✓	IP 67

(Note: Standard wire length provided - 2 mts only)

- D - Three wire DC
- D₁ - PNP-NO
- D₂ - PNP-NC
- D₃ - NPN-NO
- D₄ - NPN-NC
- F - Four wire DC
- F₁ - PNP NO+NC
- F₂ - NPN NO+NC
- A - Two wire AC
- A₁ - AC-NO
- A₂ - AC-NC

Connection Diagram



Dimensions in mm

P H O T O E L E C T R O N I C S E N S O R S

Correction Factor:

White Paper	1
Metal glossy	1.1 to 1.6
Al. Black anodised	1.1 to 1.6
PVC	0.5
Wood	0.4
White Cotton Cloth	0.6

Colour Mark Sensor:

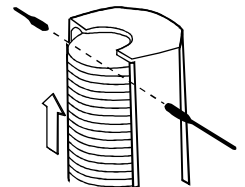
These sensors are mainly used to differentiate Light and Dark colours. Emitter and Receiver are enclosed in a single housing. The transmitted light beam is reflected by the light colour and it returns to the receiver. When the dark colour mark enters into this light beam, the receiver senses the changes in colour by reflection.

Colour Mark Sensor Code:

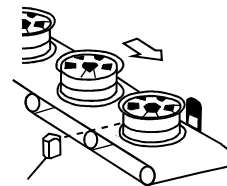
JBE 18 PNP/NPN NO/NC

- Photo Electronic Fork Sensors are also available.

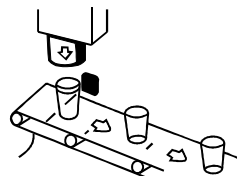
Applications:



WAFER RACK POSITIONING



DETECTION OF
AUTOMOBILE WHEEL PASSAGE



DETECTION OF
DOUBLE-FED PLASTIC CUPS

PRICE LIST

DIFFUSE TYPE (JBD)			RETRO REFLECTIVE (JBR)		
JAIBALAJI Code	RANGE	M.R.P. Rs.	JAIBALAJI Code	RANGE	M.R.P. Rs.
JBD 18	100 mm	2358	JBR 18	400 mm	2502
JBD 30	300 mm	2502	JBR 30	1000 mm	2610
THRO' BEAM (JBT)			COLOUR MARK SENSOR (JBE)		
JAIBALAJI Code	RANGE	M.R.P. Rs.	JAIBALAJI Code	RANGE	M.R.P. Rs.
JBT 18	5000 mm	2502	JBE 18	8-10 mm	2358
JBT 30	10000 mm	2610	JBE 30	12-15 mm	2502

Mains operated Power supply with single change over contact (6A) - Rs.1674 Each

Standard wire length provided - 2Mtrs. only. Rs. 171/- Each per meter will be charged for extra cables.

ConnectorTypeRs.1161/-extra

JAIBALAJI
CONTROL GEARS PVT. LTD

Post Box No. 27, 89 (New No. 107),SIDCO Industrial Estate,Ambattur, Chennai -600 098. India

Phone: +91 44 26251279 / 26257859 / 26254470 Fax: +91 44 26255038.

E-mail: dchandramohan@jaibalaji.firm.in Web: jaibalaji.in

**ELECTRONIC TIMER DIN RAIL****ANALOG TIMER :**

MODEL	TIME RANGES	MODES	SUPPLY VOLTAGE	RELAY CONTACT	M.R.P. EACH. RS.
SVM 330	3/30 SEC/MIN	ON DELAY	230V AC*	1 C/O**	Rs. 918.00
SVM 660	6/60 SEC/MIN	INTERVAL			
SVH 330	3/30 MIN/HOUR				
SVH 660	6/60 MIN/HOUR				
		EQUAL CYCLIC ON FIRST			
		EQUAL CYCLIC OFF FIRST			
AVM 330	3/30 SEC/MIN	ALL MODES ARE USER SELECTABLE	24-240V AC/DC	1 C/O	Rs.1171.00
AVM 660	6/60 SEC/MIN				
AVH 330	3/30 MIN/HOUR				
AVH 660	6/60 MIN/HOUR				
UEC 660	6/60 SEC/MIN/HOUR	UNEQUAL CYCLIC ON FIRST UNEQUAL CYCLIC OFF FIRST	230V AC*	1 C/O**	Rs.954.00
FR 009	ON TIME 6/60 SEC/MIN PAUSE TIME 6/60 SEC	FORWARD / REVERSE	230V AC*	1 C/O	Rs.1089.00
RC 660	RUN TIME 6/60 SEC/MIN TRANSFER TIME 40/100 ms	STAR DELTA	230V AC*	1 C/O	Rs.1089.00

* Other voltage ranges are also available as per customer requirement.

** For 2 No + 2 NC add Rs. 153/- extra

DIGITAL TIMER - DIN RAIL :

MODEL	TIME RANGES	MODES	SUPPLY VOLTAGE	RELAY CONTACT	M.R.P. EACH. RS.	
DC - 99	0.1 SEC to 99 HRS	ON DELAY	24-240V AC/DC	1 C/O	Rs.1341.00	
		INTERVAL				
		EQUAL CYCLIC ON FIRST			2 C/O	Rs.1521.00
		EQUAL CYCLIC OFF FIRST				
		ALL MODES ARE USER SELECTABLE				



	MODEL	TIME RANGES	MODES	SUPPLY VOLTAGE	RELAY CONTACT	M.R.P. EACH.
1.	DC-99S	Star: 0.1 sec-99 min Pause Time : 40-99 msec.	Star - Delta	24V-265V, AC / DC	2 NO, 2A @250V AC	Rs.1341.00
2.	DC-99F	F/R : 0.1 sec-99 min Pause : 01sec - 99-min.	Forward / Reverse	24V-265V, AC / DC	2NO, 2A @250V AC	Rs. 1341.00
3.	CV-9	999999 COUNTS	Normal Count	85V-265V AC / DC	No Relay Output	Rs.3033.00
4.	4896-I	0.001-9999 sec/min/hr	Interval	85V-265V AC/DC	1C/O, 5A @250V AC	Rs.3843.00
5.	4896-H	0.999999.9 hr	Hr.meter (No Reset)	85V-265V AC/DC	No Relay	Rs.3843.00
6.	4896-TC	0.001 sec -9999 hr & 0-9999 Counts	Timer: ON, IN, OFF, Cyclic / Counter: (N-Mode) Counter with Timer	85V-265V AC/DC	2C/O, 5A @250V AC	Rs.3987.00
7.	4896-T	0.001 sec - 9999 hr	ON, IN, OFF, F, CYCLIC	85V-265V AC/DC	2C/O, 5A @250V AC	Rs.3987.00
8.	4896-C	0.001 - 9999 Counts	N, F, C, K, Type Counting	85V - 265V AC /DC	2C/O, 5A @250V AC	Rs.3987.00
9.	4896-TT	0.9999999 Counts	N, F, C, K, Type Counting	85V - 265V AC /DC	2C/O, 5A @250V AC	Rs.3987.00





ELECTRONIC DIGITAL METERS

AUX SUPPLY : 240V AC (170-265V)
(OR) 110V AC(85-130V)**1Ø AC VOLTMETER**

MODEL	TYPE NO.	INPUT RANGE	DISPLAY READING	ACCURACY	M.R.P. PRICE
AV101		0-200 MV	0-199.9 MV	CLASS 0.5	Rs. 1224.00/- Each
AV102		0-2V	0-1.999 V		
AV103		0-20V	0-19.99 V		
AV104		63.5(51.0-76.0)V	51.0-76.0V		
AV105		110(80-130)V	80.0-110.0V		
AV106		240(0-300)V	0-300V		
AV107		415(0-500)V	0-500 V		
AV108		1000(50-1000)V	50-1000V		

PT INPUT-110V(80-130V)

AV1 PT (Field settable)	1	1.1kv/110V 11kv/110V 110kv/110V	0.80-1.30kv 8.0-13.0kv 80-130kv	CLASS 1.0	Rs. 1224.00 /- Each
	2	2.2kv/110V 22kv/110V 220kv/110V	1.60-2.60kv 16.0-26.0kv 160-260kv		
	3	3.3kv/110V 33kv/110V	2.40-3.90kv 24.0-39.0kv		
	4	6.6kv/110V 66kv/110V	4.80-7.80kv 48.0-78.0kv		

3Ø AC VOLTMETERAUX SUPPLY : 240V AC (170-265)
(OR) 110V AC(85-130V)**WITH AUTO / MANUAL SELECTION**

AV301		415V(330-470V) (3Ø-3 WIRE SYSTEM)	330-470V	CLASS 1.0	Rs.1998.00/- Each
AV302		240V(170-270V) (3Ø-4 WIRE SYSTEM)	170-270		

PT INPUT-110V (80-130V)

AV3PT (Field settable)	1	1.1kv/110V 11kv/110V 110kv/110V	0.80-1.30kv 8.0-13.0kv 80-130kv	CLASS 1.0	Rs.1998.00/- Each
	2	2.2kv/110V 22kv/110V 220kv/110V	1.60-2.60kv 16.0-26.0kv 160-260kv		
	3	3.3kv/110V 33kv/110V	2.40-3.90kv 24.0-39.0kv		
	4	6.6kv/110V 66kv/110V	4.80-7.80kv 48.0-78.0kv		

AC AMMETER

AA101		0-200 mA	0-200 mA	CLASS 0.5	Rs.1224.00 /- Each
AA102		0-2mA	0-2.00mA		
AA103		0-20mA	0-20.0mA		
AA104		0-200mA	0-200mA		
AA100		0-2A	0-2.00A		
AA105		0-30A	0-30.0A		



JAIBALAJI ELECTRONIC DIGITAL METERS

CT INPUT - 1A (0.05-1.2 A)

MODEL	TYPE NO.	INPUT RANGE	DISPLAY READING	ACCURACY	M.R.P. PRICE
AA1CT AA3CT (Field settable)	25	10A / 1A 100A / 1A	0.5-12.0A 5-120A	CLASS 1.0	AA1CT=Rs.1908/- Each AA3CT=Rs.2097 /- Each
	26	12A / 1A 120A / 1A	0.6-14.4A 6-144A		
	27	15A / 1A 150A / 1A	0.7-18.0A 7-180A		
	28	16A / 1A 160A / 1A	0.8-19.2A 8-192A		
	29	20A / 1A 200A / 1A	1.0-24.0A 10-240A		
	30	25A / 1A 250A / 1A	1.2-30.0A 12-300A		
	31	30A / 1A 300A / 1A	1.5-36.0A 15-360A		
	32	40A / 1A 400A / 1A	2.0-48.0A 20-480A		
	33	50A / 1A 500A / 1A	2.5-60.0A 25-600A		
	34	60A / 1A 600A / 1A	3.0-72.0A 30-720A		
	35	70A / 1A 700A / 1A	3.5-84.0A 35-840A		
	36	80A / 1A 800A / 1A	4.0-96.0A 40-960A		

CT INPUT -1A (0.05-1.2 A)

AA1CT & AA3CT	37	1.0 KA / 1A	0.5-12.0 KA	CLASS 1.0	AA1CT=Rs.1908/- Each AA3CT=Rs.2097/- Each
	38	1.2 KA / 1A	0.6-14.4 KA		
	39	1.5 KA / 1A	0.7-18.0 KA		
	40	1.6 KA / 1A	0.8-19.2 KA		
	41	2.0 KA / 1A	1.0-24.0 KA		
	42	2.5 KA / 1A	1.2-30.0 KA		
	43	3.0 KA / 1A	1.5-36.0 KA		
	44	4.0 KA / 1A	2.0-48.0 KA		
	45	5.0 KA / 1A	2.5-60.0 KA		
	46	6.0 KA / 1A	3.0-72.0 KA		
	47	7.0 KA / 1A	3.5-84.0 KA		
	48	8.0 KA / 1A	4.0-96.0 KA		

Note : AA1CT - 1Ø - Ammeter / AA3CT - 3Ø - Ammeter



JAIBALAJI ELECTRONIC DIGITAL METERS

FREQUENCY METER

AUX SUPPLY : 85V - 265V AC / DC

VRF 100		40-500V AC	20.0 - 99.9 Hz	CLASS 0.5	Rs.1242.00/- Each
---------	--	------------	----------------	-----------	-------------------

DIGITAL PANEL METER

AUX SUPPLY : 230V AC (or) 110 AC

MODEL	TYPE NO.	INPUT RANGE	DISPLAY READING	ACCURACY	M.R.P. PRICE
MW 103	1	0-300 mV	0-300mw	CLASS 0.5	Rs.-1224.00/- Each
MW 103	2	0-10V DC	0-600	CLASS 1.0	Rs.-1224.00/- Each

DC VOLTMETER

AUX SUPPLY : 230V AC (or) 110 AC
(or) 85-265V AC (or) DC

MODEL	TYPE NO.	INPUT RANGE	DISPLAY READING	ACCURACY	M.R.P. PRICE
DV101		0 to \pm 2 mV DC	0 to \pm 19.99	CLASS 0.5	Rs.-1224.00/- Each
DV102		0 to \pm 200 mV DC	0 to \pm 199.9		
DV103		0 to \pm 2V DC	0 to \pm 1.999	CLASS 1.0	Rs.-1224.00/- Each
DV104		0 to \pm 20V DC	0 to \pm 19.99		
DV105		0 to \pm 200V DC	0 to \pm 199.9		
DV106		0 to \pm 500V DC	0 to \pm 500v		
DV107		0 to \pm 1000V DC	0 to \pm 1000v		

DC AMMETER

MODEL	TYPE NO.	INPUT RANGE	DISPLAY READING	ACCURACY	M.R.P. PRICE
DA101		0 to \pm 20 mA DC	0 to \pm 20.0 mA	CLASS 0.5	Rs.-1224.00/- Each
DA102		0 to \pm 2 mA DC	0 to \pm 1.999 mA		
DA103		0 to \pm 20 mA DC	0 to \pm 19.99 mA		
DA104		0 to \pm 200 mA DC	0 to \pm 200 mA		
Dv105		0 to \pm 2 A DC	0 to \pm 1.999 A		
DA106		0 to \pm 10 A DC	0 to \pm 10.0 A		



**ELECTRONIC DIGITAL METERS**AUX SUPPLY : 240V AC (170-265) (or) 110V AC
(or) 85-265V AC (or) DC**DC AMMETER-SHUNT INPUT (75mV)**

MODEL	TYPE NO.	SHUNT INPUT 75mV (5-90mV)	DISPLAY READING	ACCURACY	M.R.P. PRICE
DAST	1	a. 5A / 75 mV b. 50A / 75 mV c. 500A / 75 mV	a. 0.33 - 5.33A b. 3.3 - 53.3A c. 33 - 533A	CLASS 1.0	Rs.-1224.00/- Each
	2.	a. 10A / 75 mV b. 100A / 75 mV	a. 0.6 - 10.6A b. 6 - 106A		
	3.	a. 15A / 75 mV b. 150A / 75 mV	a. 1.0 - 16.0A b. 10 - 160A		
	4.	a. 20A / 75 mV b. 200A / 75 mV	a. 1.2 - 21.2A b. 12 - 212A		
	5.	a. 25A / 75 mV b. 250A / 75 mV	a. 1.6 - 26.6A b. 16 - 266A		
	6.	a. 30A / 75 mV b. 300A / 75 mV	a. 2.0 - 32.0A b. 20 - 320A		
	7.	a. 40A / 75 mV b. 400A / 75 mV	a. 2.6 - 48.0A b. 26.6 - 480A		
	8.	a. 60A / 75 mV b. 600A / 75 mV	a. 4.0 - 64.0A b. 40 - 640A		
	9.	a. 75A / 75 mV b. 750A / 75 mV	a. 5.0 - 80.0A b. 50 - 800A		

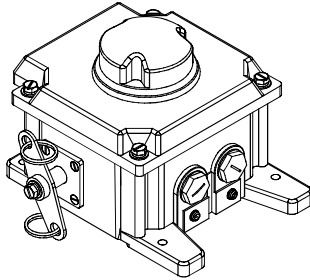
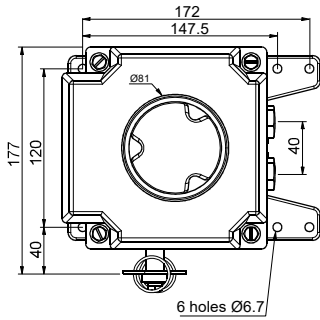
DC AMMETER - SHUNT INPUT = 60mV (4-75mV)

MODEL	TYPE NO.	INPUT RANGE	DISPLAY READING	ACCURACY	M.R.P. PRICE
DAST	10	a. 5A / 60 mV b. 50A / 60 mV c. 500A / 60 mV	a. 0.33 - 6.25A b. 3.3 - 62.5A c. 33 - 625A	CLASS 1.0	Rs.-1224.00/- Each
	11.	a. 10A / 60 mV b. 100A / 60 mV	a. 0.6 - 12.5A b. 6 - 125A		
	12.	a. 15A / 60 mV b. 150A / 60 mV	a. 1.0 - 18.7A b. 10 - 187A		
	13.	a. 20A / 60mV b. 200A / 60 mV	a. 1.3 - 25.0A b. 13 - 250A		
	14.	a. 25A / 60 mV b. 250A / 60 mV	a. 1.6 - 31.2A b. 16 - 312A		
	15.	a. 30A / 60mV b. 300A / 60 mV	a. 2.0 - 37.5A b. 20 - 375A		
	16.	a. 40A / 60mV b. 400A / 60 mV	a. 2.6 - 50.0A b. 26.6 - 500A		
	17.	a. 60A / 60 mV b. 600A / 60 mV	a. 4.0 - 75.0A b. 40 - 750A		
	18.	a. 75A / 60 mV b. 750A / 60 mV	a. 5.0 - 93.7A b. 50 - 937A		

NOTE :CLASS1.0 :+(0.5%FSD +0.5% OF READING CLASS 0.5 :+(0.25 FSD + 0.25% OF READING
BOX SIZE : 96 x 48 x 125 mm CUTOUT SIZE : 90 x 45 mm**ELECTRONIC BUS BAR INDICATOR**
RED, YELLOW, BLUE OR GREEN, AMBER, WHITE (ANY THREE COLOURS)**M.R.P.**
RS.2754/-
Each

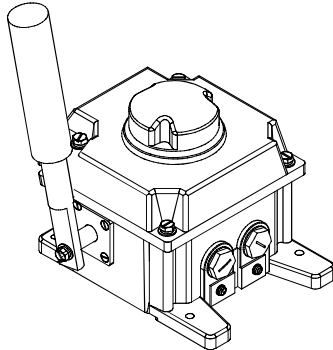
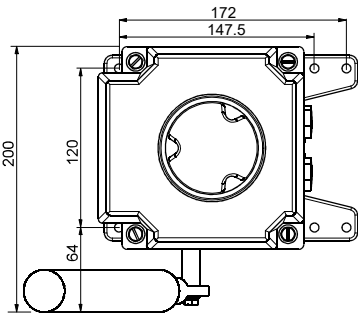
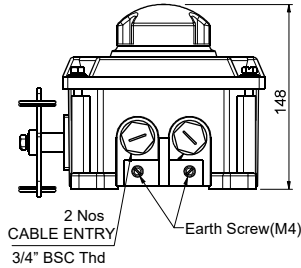
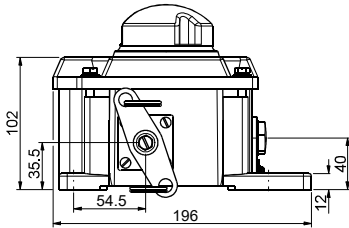


PULL CORD & BELT SWAY SWITCHES AND HEAVY DUTY LIMIT SWITCH WITH INDICATOR CATALOGUE CUM PRICE LIST



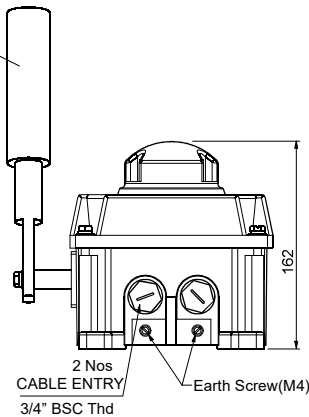
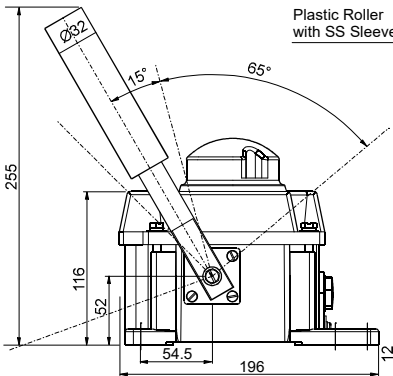
PULL CORD SWITCH

MODEL	DESCRIPTION	M.R.P. Rs.
JBRRV-9	Heavy Duty Pull cord switch with Indicator (1NO+1NC) Normal Action	4059
JBRRV-9 P	Heavy Duty Pull cord switch without Indicator (1NO+1NC) Normal Action	3807
JBRRV-18	Heavy Duty Pull cord switch with Indicator (1NO+1NC) Snap Action	4410
JBRRV-18 P	Heavy Duty Pull cord switch without Indicator (1NO+1NC) Snap Action	4158
JBRRV-27	Heavy Duty Pull cord switch with Indicator (2NO+2NC) Snap Action	4914
JBRRV-27 P	Heavy Duty Pull cord switch without Indicator (2NO+2NC) Snap Action	4680



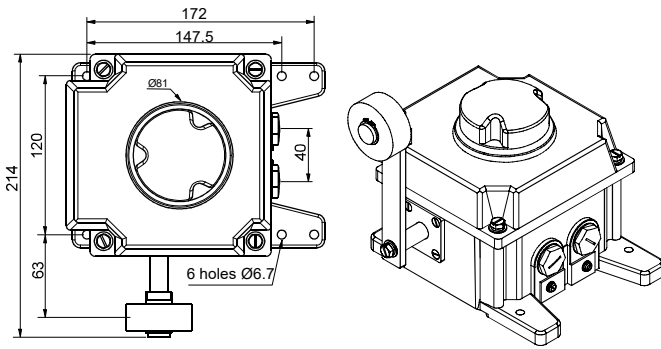
BELT SWAY SWITCH

MODEL	DESCRIPTION	M.R.P. Rs.
JBSMV-9	Heavy Duty Belt sway switch with Indicator (1NO+1NC) Snap Action	4581
JBSMV-9 P	Heavy Duty Belt sway switch without Indicator (1NO+1NC) Snap Action	4356
JBSMV-18	Heavy Duty Belt sway switch with Indicator (2NO+2NC) Snap Action	5274
JBSMV-18 P	Heavy Duty Belt sway switch without Indicator (2NO+2NC) Snap Action	5013



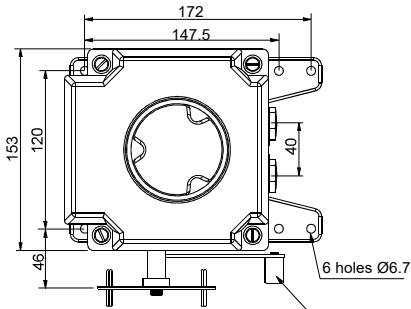
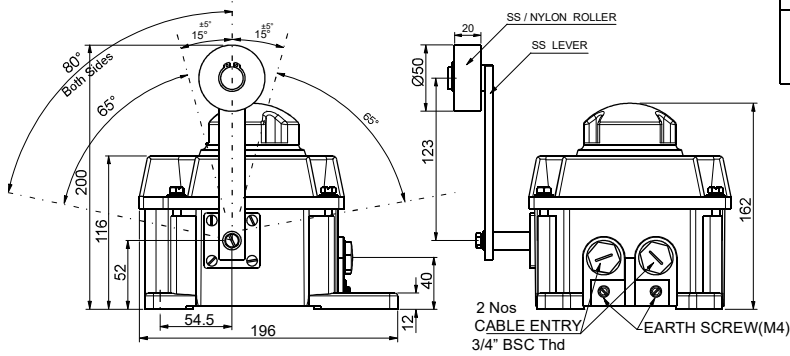
JAIBALAJI
CONTROL GEARS PVT. LTD

Post Box No. 27, 89 (New No. 107),SIDCO Industrial Estate,Ambattur, Chennai -600 098. India
Phone: +91 44 26251279 / 26257859 / 26254470 Fax: +91 44 26255038.
E-mail: dchandramohan@jaibalaji.firm.in Web: jaibalaji.in



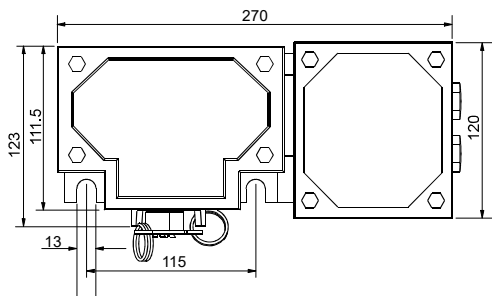
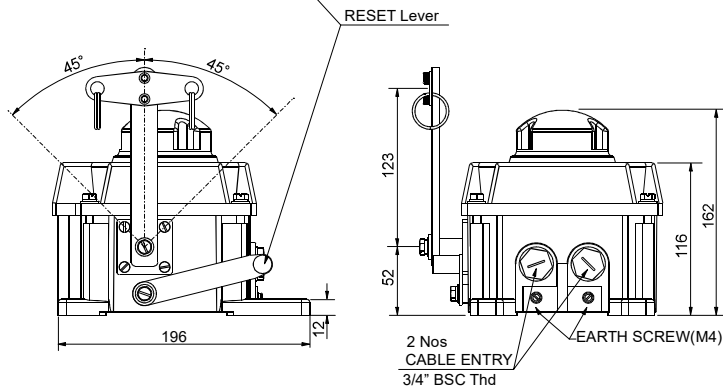
HEAVY DUTY LIMIT SWITCH

MODEL	DESCRIPTION	M.R.P. Rs.
JBBSMV-36	Heavy Duty Limit switch with Indicator (1NO+1NC) Snap Action	4086
JBBSMV-36 P	Heavy Duty Limit switch without Indicator (1NO+1NC) Snap Action	3843
JBBSMV-45	Heavy Duty Limit switch with Indicator (2NO+2NC) Snap Action	4815
JBBSMV-45 P	Heavy Duty Limit switch without Indicator (2NO+2NC) Snap Action	4590



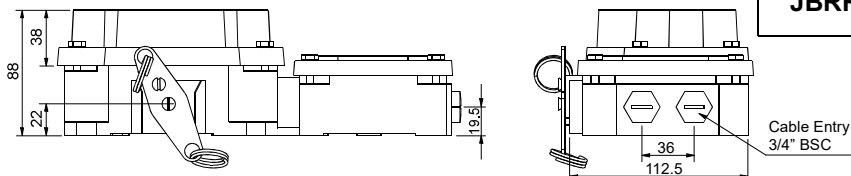
HEAVY DUTY LIMIT SWITCH (MANUAL RESET)

MODEL	DESCRIPTION	M.R.P. Rs.
JBBSMV-72	Heavy Duty Limit switch Manual Reset with Indicator (2NO+2NC) Snap Action	6120
JBBSMV-90	Heavy Duty Limit switch Manual Reset with Indicator (1NO+1NC) Snap Action	5616



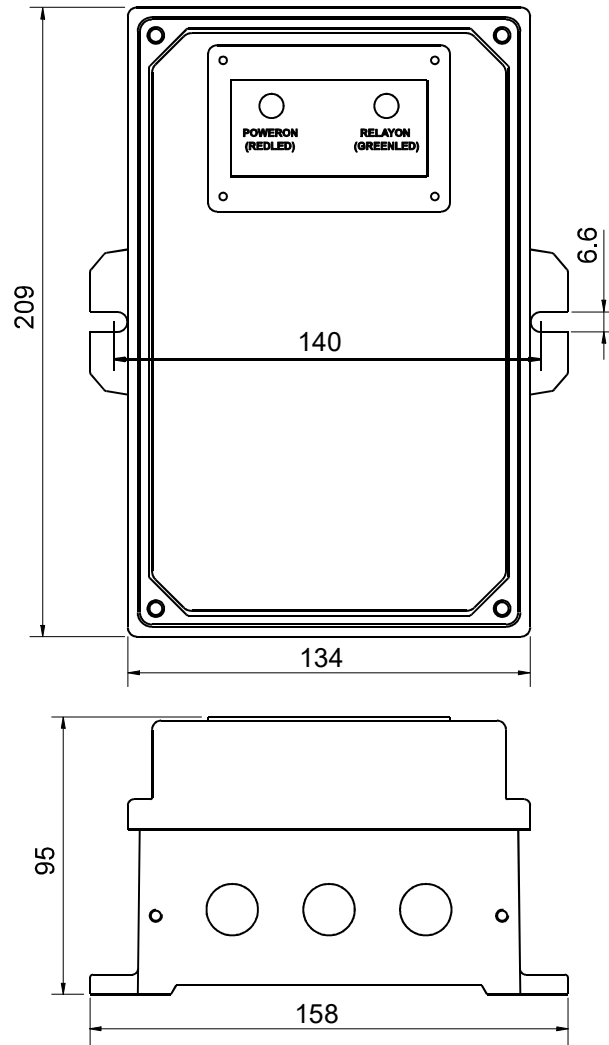
PULL CORD SWITCH WITH TERMINAL BOX

MODEL	DESCRIPTION	M.R.P. Rs.
JBRRV-9TB	Heavy Duty Pull cord switch with Terminal Box (1NO+1NC) Normal Action	4428
JBRRV-18TB	Heavy Duty Pull cord switch with Terminal Box (1NO+1NC) Snap Action	4635
JBRRV-27TB	Heavy Duty Pull cord switch with Terminal Box (2NO+2NC) Snap Action	4950



JAIBALAJI

ZERO SPEED SWITCH CATALOGUE CUM PRICE LIST



Model	RPM RANGE	MRP Rs..
Model: JBZSS 10	1-10RPM	5670
Model: JBZSS 50	5-50RPM	5670
Model: JBZSS 100	10-100RPM	5670
Model: JBZSS 500	50-500RPM	5670
Model: JBZSS 1000	100-1000RPM	5670
Model: JBZSS 5000	500-5000RPM	5670

JAIBALAJI
CONTROL GEARS PVT. LTD



Post Box No. 27, 89 (New No. 107),SIDCO Industrial Estate,Ambattur, Chennai -600 098. India
Phone: +91 44 26251279 / 26257859 / 26254470 Fax: +91 44 26255038.
E-mail: dchandramohan@jaibalaji.firm.in Web: jaibalaji.in

Ref : JAI / GC / 2026

Date : 01.07.2026



Dear Sir,

At the outset, we thank you all for patronizing our products. As you are aware, our **JAIBALAJI** products are the **ONLY PRODUCTS** available in India with  &  Markings and **IP-67** Protection. We are also an **ISO 9001 : 2015** Certified company offering **QUALITY PLUS** Products at **MOST COMPETITIVE PRICE**. **JAIBALAJI** Products are manufactured making use of **UL Listed V2 Flame Retardant Grade 960°** Glow Wire Tested Anti corrosive Anti-Acid unbreakable **Engineering Plastic** and are fully insulated. Our wide range of products are **Illuminated Push Buttons, Pilot lights, Push Button Stations (Plastic & Metal) LED Electronic Module Indicating lights (16.5 mm & 22.5 mm dia) Electronic signal Tower lights (LED & BULB) Electronic Proximity Sensors (Photo Sensors, Diffuse, Thro' Beam, Colour mark, Inductive & Capacitive) Electronic Timer Din Rail (Analog & Digital) Electronic Digital Counter / Timer, Digital Meters AC / DC Voltmeter, Ammeter, Digital Panel Meters, Frequency Meters, Variety of Limit Switches, like BC-9, BC-9T, JW Micro Adjustable, CEE EM 45, Precision, Miniature Snap Action, Mini Limit Switches, Heavy Duty Limit Switches JB - 2700, Extra Heavy Duty JC-1125 Limit Switches, Explosion Proof EPHA Limit Switches, Foot Switches, Engineering Plastic Industrial Plug & Sockets, and Connectors Cam Operated Rotary Switches, variety of different sizes of Junction Boxes (Engineering Plastic & Metal) and Telescopic Brushes, Pullcord, Beltsway, Zero speed switch & Rocker switch. Distribution Boxes, Pendent Pushbutton stations, CEE EM 45 Mini Limit Switch, Bus bar Indicator & Reed Magnetic Switch**

DEALERS ENQUIRIES ARE SOLICITED

This supersedes all previous Price Lists, Prices are subject to change without prior notice, Prices at the time of supply will be applicable.

Your continued patronage and kind co-operation will be very much appreciated.

Thanking you and assuring you of our best services always.

Yours faithfully,

for 



CHANAKYACHANDRAMOHAN

Encl : as above.

New No. 107, Sidco Industrial Estate

Post Box No. 27, Ambattur,

Chennai - 600 098. India

Phone : 0091 - 44 - 2625 1279

0091 - 44 - 2625 4469

0091 - 44 - 2625 4470

0091 - 44 - 2625 7174

0091 - 44 - 2625 7859

Fax : 0091 - 44 - 2625 5038

E-mail : dchandramohan@jaibalaji.firm.in

WEBSITE : www.jaibalaji.firm.in

S.No.	List of Limit Switches	Page No
1	ISO Certificate	1
2	ISI Certificate	2-7
3	CSA Certificate	8-10
4	Miniature micro switches	11-12
5	Precision limit switch	13-14
6	BC9 Mini limit switch	15-16
7	CEE EM 45 Limit switch	17-20
8	CEE EM 45 Mini Limit switch	21
9	VEE EER 45 General Prpose Limit switch	22-23
10	JW micro adjustable Limit switch	24-27
11	BC9 Oil tight Limit switch	28-33
12	BC9 'T' Oil tight Limit Switch	34-39
13	EPHA Limit switches	40-43
14	JC 1125 Heavy duty Limit switches	44-48
15	JB 2700 Heavy duty Limit switches	49-53
16	Foot Switch	54-55
17	Valve Position Monitor	56

CERTIFICATE

The Certification Body
of TÜV SÜD South Asia Private Limited
certifies that



Jaibalaji Control Gears Pvt. Ltd
No. 107, Sidco Industrial Estate, Ambattur, Chennai, - 600098, India

has implemented Quality Management System
in accordance with **ISO 9001:2015**
for the scope of

**Design, Manufacture and Supply of
Electromechanical, Electronic Controlling, Signalling Devices and
Switchgears for Engineering and Industrial Automation**

The certificate is valid from **2024-03-22** until **2027-03-21**

Subject to successful completion of annual periodic audits

The present status of this certificate can be obtained through TUV SUD website by scanning below QR code and by entering the certificate number (without spaces) on web page. Further clarifications regarding the status & scope of this certificate may be obtained by consulting the certification body at info.in@tuvsud.com

Certificate Registration No. **99 100 02459**

Date of Initial certification: **2008-05-28**

Issue Date: **2024-03-19** Rev. **00**



Rahul Kale
Head of Certification Body
of TÜV SÜD South Asia Private Limited,
Mumbai
Member of TÜV SÜD Group





இந்திய தர நிர்ணய அமைவனம்

भारतीय मानक ब्यूरो
BUREAU OF INDIAN STANDARDS

தென் மண்டல அலுவலகம்

पोस्ट बॉक्स नं. 8290
सी. आई. टी. कैम्पस, चौथा क्रॉस रोड,
तरासनी, चेन्नै - 600 113.
Southern Regional Office : Post Box No. 8290
CIT Campus, IV Cross Road,
Taramani, Chennai - 600 113.

ANNEXURE TO ENDORSEMENT NO.16 DATED 20070206

1) LIMIT SWITCHES

RATED OPERATIONAL VOLTAGE	:	415V
RATED THERMAL CURRENT	:	10A
OPERATIONAL CURRENT	:	1.5A(AC)
RATED IMPULSE VOLTAGE	:	1.5KV AC
INSULATION VOLTAGE	:	600V
POLLUTION DEGREE	:	'2'
IP CODE	:	IP 67
UTILISATION CATEGORY	:	AC 15/DC 13
CONDITIONAL SHORT CIRCUIT CURRENT	:	100A
DESIGNATION	:	A600/R300
CONTACT ELEMENT	:	TYPE : ZA
MECHANICAL DUTY CLASS	:	3
FREQUENCY OF OPERATIONAL CYCLES FOR ELECTRICAL DURABILITY	:	300/HOUR

2) ROTARY SWITCHES:

UTILISATION CATEGORY	:	AC15
RATED INSULATION VOLTAGE	:	600V AC
RATED IMPULSE VOLTAGE	:	1.5KV AC
RATED OPERATIONAL VOLTAGE	:	415V AC,
RATED FREQUENCY	:	50Hz
CORRESPONDING OPERATIONAL CURRENT	:	1.8A, 2A, 4A, 6A, 8A, 10A
CORRESPONDING THERMAL CURRENT	:	7.5A, 12.5A, 20A, 32A, 40A, 80A
POLLUTION DEGREE/CASE	:	3/CASE A
CLASS OF MECHANICAL DURABILITY	:	3
MATERIAL GROUP	:	III a

3) PUSH BUTTON SWITCH

UTILISATION CATEGORY	:	AC15
RATED INSULATION VOLTAGE	:	600V
RATED IMPULSE VOLTAGE	:	1.5KV AC
RATED OPERATIONAL VOLTAGE	:	415V AC, 50Hz
RATED OPERATIONAL CURRENT	:	1.8A
RATED THERMAL CURRENT	:	10A
POLLUTION DEGREE/CASE	:	3/CASE A
CLASS OF MECHANICAL DURABILITY	:	3
DESIGNATION	:	A600/R300

DIRECTOR & HEAD (MARKS II)
BIS, CHENNAI



இந்திய தர நிர்ணய அமைவனம்
भारतीय मानक ब्यूरो
BUREAU OF INDIAN STANDARDS

दक्षिणी क्षेत्रीय कार्यालय

: पोस्ट बॉक्स नं. 8290

सी. आई. टी. कैम्पस, चौथ क्रॉस रोड,

तरामणी, चेन्नै - 600 113.

Southern Regional Office : Post Box No. 8290

CIT Campus, IV Cross Road,

Taramani, Chennai - 600 113.

ANNEXURE TO ENDORSEMENT NO.16 DATED 20030266

4) AC INDICATOR LIGHTS (BULB)

Rated operational voltage	24, 48, 110, 230 V AC
Rated voltage of light	24, 48, 110, 230 V AC
Rated voltage of lamp	24, 48, 130, 130 V AC
Rated power	2.0, 2.0, 2.6, 2.6 Watts Max
Rated thermal power for mounting on metal plate	2.6, 2.6, 2.6, 2.6 Watts Max
Rated thermal power for mounting on enclosure	2.6, 2.6, 2.6, 2.6 Watts Max
Colour	Yellow, red, amber, blue, green, black, white, clear (for type and designation and colour, please see the catalogue enclosed)
Fixing hole diameter	22.5 mm, 22.5 mm, 22.5 mm, 22.5 mm
Means of connection	Single pin type small miniature with baynet cap-holder
Nature of current applied and its frequency	AC 50 cycles
Type of lamp socket	Small miniature baynet cap holder with Nylon 66 (Grade 30) protective cover

DIRECTOR & HEAD (MARKS II)
BIS, CHENNAI

PAGE 2 OF 6



38
இந்திய தர நிர்ணய அமைவனம்
भारतीय मानक ब्यूरो
BUREAU OF INDIAN STANDARDS

दक्षिणी क्षेत्रीय कार्यालय

: पोस्ट बॉक्स नं. 8290

सी. आई. टी. फोरम, चौथा क्रॉस रोड,

तरावणी, चेन्नै - 600 113.

Southern Regional Office:

Post Box No. 8290

CIT Campus, IV Cross Road,

Taramani, Chennai - 600 113.

ANNEXURE TO ENDORSEMENT NO.16 DATED

20030206

5) DC INDICATOR LIGHTS (BULB)

Rated operational voltage	24, 48, 110, 230 V DC
Rated voltage of light	24, 48, 110, 230 V DC
Rated voltage of lamp	24, 48, 130, 130 V DC
Rated power	2.2, 2.6, 2.6 Watts Max
Rated thermal power for mounting on metal plate	2.2, 2.6, 2.6 Watts Max
Rated thermal power for mounting on enclosure	2.2, 2.6, 2.6 Watts Max
Colour	Yellow, red, amber, blue, green, black, white, clear (for type and designation and colour, please see the catalogue enclosed)
Fixing hole diameter	22.5 mm, 22.5 mm, 22.5 mm, 22.5 mm
Means of connection	Single pin type holder small miniature with baynet cap holder
Nature of current applied and its frequency	DC
Type of lamp socket	Small miniature baynet cap holder with Nylon 66 (Grade 30) protective cover

DIRECTOR & HEAD (MARKS II)
BIS, CHENNAI

PAGE 3 OF 6



இந்திய தர நிர்ணய அமைவனம்
भारतीय मानक ब्यूरो
BUREAU OF INDIAN STANDARDS

दक्षिणी क्षेत्रीय कार्यालय

: पोस्ट बॉक्स नं. 8290

सी. आई. टी. फोरम, चौथा क्रॉस रोड,
तरावणी, चेन्नै - 600 113.

Southern Regional Office : Post Box No. 8290

CIT Campus, IV Cross Road,
Taramani, Chennai - 600 113.

ANNEXURE TO ENDORSEMENT NO.16 DATED 2-06-2012

6) AC INDICATOR LIGHTS (LED - LIGHT EMITTING DIODE)

Rated operational voltage	12, 24, 48, 110, 230 V AC
Rated voltage of light	12, 24, 48, 110, 230 V AC
Rated voltage of LED	2.2, 2.2, 2.2, 2.2 V AC Max
Rated current/power	25 mA/300 mW
Rated thermal power for mounting on metal plate	25 mA/300 mW
Rated thermal power for mounting on enclosure	25 mA/300 mW
Colour	Yellow, red, amber, blue, green, black, white, clear (for type and designation and colour, please see the catalogue enclosed)
Fixing hole diameter	22.5 mm, 22.5 mm, 22.5 mm, 22.5 mm
Means of connection	Solder connection
Nature of current applied and its frequency	AC 50 cycles
Types of lamp socket	Nylon 66 (Grade GF 30) protective cover


DIRECTOR & HEAD (MARKS II)
BIS, CHENNAI

PAGE 4 OF 6



இந்திய தர நிர்ணய அமைவனம்
भारतीय मानक ब्यूरो
BUREAU OF INDIAN STANDARDS

दक्षिणी क्षेत्रीय कार्यालय

: पोस्ट बॉक्स नं. 8290

सी. आई. टी. कैम्पस, चौथ क्रॉस रोड,
तरामनी, चेन्नै - 600 113.

Southern Regional Office

: Post Box No. 8290

CIT Campus, IV Cross Road,
Taramani, Chennai - 600 113.

ANNEXURE TO ENDORSEMENT NO.16 DATED 2003.206

7) DC INDICATOR LIGHTS (LED - LIGHT EMITTING DIODE)

Rated operational voltage	12, 24, 48, 110, 230 V DC
Rated voltage of light	12, 24, 48, 110, 230 V DC
Rated voltage of lamp	2.2, 2.2, 2.2, 2.2 V DC Max
Rated current/power	25 mA/300 mW
Rated thermal power for mounting on metal plate	25 mA/300 mW
Rated thermal power for mounting on enclosure	25 mA/300 mW
Colour	Yellow, red, amber, blue, green, black, white, clear (for type and designation and colour, please see the catalogue enclosed)
Fixing hole diameter	22.5 mm, 22.5 mm, 22.5 mm, 22.5 mm
Means of connection	Solder connection
Nature of current applied and its frequency	DC
Type of lamp socket	Nylon 66 (Grade GF 30) protective cover

DIRECTOR & HEAD (MARKS II)
BIS, CHENNAI

PAGE 5 OF 6



இந்திய தர நிர்ணய அமைவனம்
भारतीय मानक ब्यूरो
BUREAU OF INDIAN STANDARDS

दक्षिणी क्षेत्रीय कार्यालय

: पोस्ट बॉक्स नं. 8290

सी. आई. टी. कैम्पस, चौथ क्रॉस रोड,
तरावणी, चेन्नै - 600 113.


Southern Regional Office : Post Box No. 8290

CIT Campus, IV Cross Road,
Taramani, Chennai - 600 113.

ANNEXURE TO ENDORSEMENT NO.16 DATED 20030206

8) MINIATURE LIMIT SWITCH

Rated operational voltage	: 240 V AC, 50 Hz
Rated operational current	: 3 A
Rated thermal current	: 10 Amp
Utilization category	: AC 15
Rated insulation voltage	: 600 V AC
Rated insulation voltage	: 1500 V
Pollution degree	: 2
Rated conditional short circuit current	: 1000 A
Number of poles	: Single


DIRECTOR & HEAD (MARKS II)
BIS, CHENNAI

PAGE 6 OF 6

The company named below has been authorized by CSA to represent the products listed in this record as "CSA Certified" and to affix the CSA Mark in these products according to the terms and conditions of the CSA Service Agreement and applicable CSA program requirements (including additional Markings).

File No: 114811 0 000

Class No: 3211 87 INDUSTRIAL CONTROL EQUIPMENT Miscellaneous Apparatus
- Certified to US Standards

SUBMITTOR

4576887 M/s Jai Balaji & Co.
89, Sidco Industrial Estate
P.O. No. 27
Ambattur
Chennai, 600098
India

FACTORY

4576887 M/s Jai Balaji & Co.
89, Sidco Industrial Estate
P.O. No. 27
Ambattur
Chennai, 600098
India

November 18, 2002 (Replaces: September 22, 1999)

- Rotary Switches, JRS-XX Series, Model Numbers and ratings are as follows:

Model No	Voltage	Current
JRS 9	400 V	6 A
JRS 18	400 V	10 A
JRS 27	400 V	16 A
JRS 45	400 V	25 A
JRS 63	400 V	32 A
JRS 81	400 V	40 A
JRS 90	400 V	63 A

- Limit Switches, JLS Series, JW Series, CEE EM 45 Series, the electrical ratings / mechanism / contacts are same for all the models and are as follows:

Model No	Contact Designation
JLS XXX	B300 / P600
JW XX	B300 / P600
CEE EM 45-XX	B300 / P600
JC XXXX	B300 / P600
JB XXXX	B300 / P600

Note: The suffixes -XXX indicate Model Numbers with different lever heads.

- Proximity Switches JB Series details are given below:

Model No	Type	DC Volts	DC Amps	AC Volts	AC Amp
JB 8 PILM	3 Wire DC	30 V DC	200 mA	--	--
JB 12 PIFM	3 Wire DC	30 V DC	200 mA	--	--
JB 18 PILM	3 Wire DC	30 V DC	200 mA	--	--
JB 30 PILM	3 Wire DC	30 V DC	200 mA	--	--
JB 36 AILM	2 Wire DC	--	--	230 V	300 mA
JB 50 PILM	2 Wire DC	30 V DC	200 mA	--	--

- Contact Switch Element for Push Buttons, Model Nos and Rating are as follows:

Model No	Contact Type	Designation	AC Rating	DC Rating
			Voltage/Current	Voltage/Current
JB1	N O	B300/P600	400 V/10 A	600 V/5 A
JB2	N C	B300/P600	400 V/10 A	600 V/5 A

• Pilot Lights

Model	Rated Voltage	Max Current mA
ML, PL	12 V, 24V, 48 V, 110 V ac/dc, 230 V ac and 220 V dc	25 mA
MB	12 V ac/dc	180 mA
	24 V ac/dc	80 mA
	48 V ac/dc	40 mA
	110 V ac/dc, 230 V ac and 220 V dc	25 mA

Note: These devices are certified as components only for use in other certified equipment where the suitability of the combination is determined by CSA International.

Features:

Centrally located common terminal. Wiping contact snap action, Standard temperature rating - 40 to 85 degree Celcius.

Actuators:

Button, Straight lever short, medium and long Roller lever, Short and roller lever Medium and Simulated Roller.

Characteristics:

Electrical: 50 mA to 25 Amps

Circuitry: SPDT, SPST, NO/NC

Operating Force: 25 to 280 gms

Typical Applications:

- Refrigerator
- Pressure Switch
- Electro Mechanical Timer
- Washing machine
- Electric Rice Cooker
- Vending Machine
- Food Processor
- Electronic Voting Machine
- Microwave Oven
- Servo Stabiliser
- Elevator
- Mixer Grinder
- Floor Cleaning Machine
- Center Lock in Automobiles
- Trivector Meter
- Bag Sealing Machine
- Door Opening Closing
- On Line Starter
- Telephones

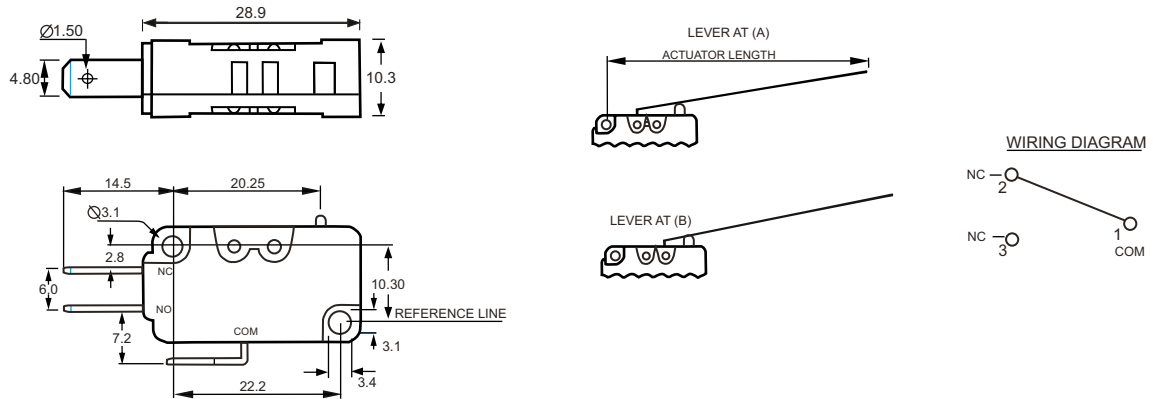
GENERAL CHARACTERISTICS	
Product	Miniature Snap action Switch
Reference Standards	IEC 947-5-1 / EN 60947-5-1 / UL 508 / CSA / 22.2 / IS 13947-5-1
Approvals	Breau of Indian Standards, CE
Protection class	IP44
Temperature storage	Minus 40 Degree Celsius to plus 70 degree Celsius
Temperature working	Minus 25 Degree Celsius to plus 70 degree Celsius
Mechanical Life	Three million operations
Frequency of operation	2500 operation per hour




ELEMENT CHARACTERISTICS	
Thermal Current	10 Amps
Insulation Voltage	600 VAC
Dielectric strength	2500 Volts per Minute
Insulation resistance	2 Meg. Ohms.
Contact Resistance	Less than 25 Milli Ohms
Short circuit protection	10 Amps High Rupturing Capacity Fuse
Rated Impulse Voltage	1500 Volts
Utilisation category	AC 15, DC 13
Contact type	Type 'C'

RATINGS: AC RATING INDUCTIVE - NEMA A 600				
Voltage	Make		Break	
	A	VA	A	VA
120	60	7200	6	720
240	30	7200	3	720
480	15	7200	1.5	720
600	12	7200	1.2	720

RATINGS: DC RATING INDUCTIVE - NEMA P 600				
Voltage	Make		Break	
	A	VA	A	VA
125	1.1	138	1.1	138
250	0.55	138	0.55	138
600	0.2	138	0.2	138



	Model No.	OPERATING FORCE				ACT LENGTH (mm) TOL.+ 0.6	MRP Rs.	Image	Model No.	OPERATING FORCE				ACT LENGTH (mm) TOL.+ 0.6	MRP Rs.
		0.1A	3A	5A	10A					0.1A	3A	5A	10A		
	JMS/B/S	15	15	45	75		108.00		JMS/ISL/S-B	3	3	8	17	70.5	153.00
	JMS/B/H	75	75	170	285		117.00		JMS/ISL/H-B	12	12	28	65	70.5	171.00
	JMS/IPL/S-A	4	4	10	20	70.0	135.00		JMS/ISM/S-A	10	10	30	45	31.5	135.00
	JMS/IPL/H-A	20	20	40	70	70.0	153.00		JMS/ISM/H-A	38	38	94	150	31.5	153.00
	JMS/IPL/S-B	2	2	6	15	74.5	135.00		JMS/ISM/S-B	7	7	17	28	36.0	153.00
	JMS/IPL/H-B	10	10	25	60	74.5	153.00		JMS/ISM/H-B	22	22	58	95	36.0	171.00
	JMS/IPM/S-A	8	8	25	40	35.5	135.00		JMS/IRM/S-A	8	8	25	40	34.0	180.00
	JMS/IPM/H-A	35	35	90	145	35.5	135.00		JMS/IRM/H-A	35	35	90	145	34.0	189.00
	JMS/IPM/S-B	5	5	15	25	40.0	135.00		JMS/IRM/S-B	5	5	15	25	38.5	180.00
	JMS/IPM/H-B	20	20	55	90	40.0	135.00		JMS/IRM/H-B	25	25	55	90	38.5	189.00
	JMS/IPS/S-A	15	15	45	75	22.0	117.00		JMS/IRS/S-A	15	15	45	75	22.0	180.00
	JMS/IPS/H-A	75	75	170	285	22.0	135.00		JMS/IRS/H-A	75	75	170	285	22.0	189.00
	JMS/ISL/S-A	5	5	12	22	66.0	153.00		JMS/IRS/S-B	12	12	35	60	26.5	180.00
	JMS/ISL/H-A	22	22	45	75	66.0	171.00		JMS/IRS/H-B	60	60	135	235	26.5	189.00

JIBALAJI

PRECISION LIMIT SWITCHES WITH MARKS

CATALOGUE CUM PRICE LIST

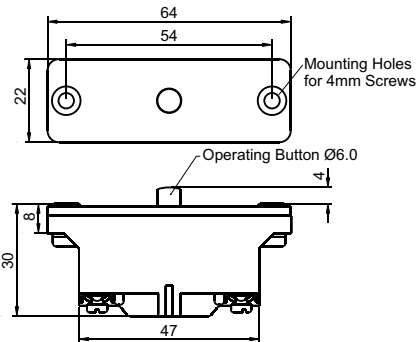
JIBALAJI Precision Limit Switches are designed for industrial duty applications. They are small in size, reliable in operation, have exceptionally long life and are accurate. The wide variety of switch operating mechanisms coupled with the choice of either single pole 1NO+1NC or double pole 2NO+2NC changeover contacts permit easy selection and application for many needs.

Electrical and Mechanical Rating

Utilisation Category : AC 15 and DC 13 as per IEC 947-5-1 and IS/IEC :60947/Pt5/Sec-1
 Thermal current (I th) : 15A
 Insulation Voltage (UI) : 600 V AC

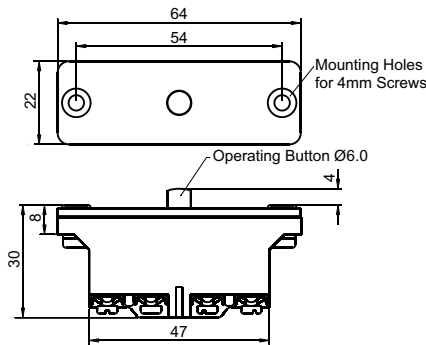
Contact Combination : Single pole 1 NO + 1 NC changeover contacts
 Frequency of operation : Double pole 2 NO + 2 NC changeover contacts
 Mechanical and Electrical life : 2500 operations per hour (max)
 Operating force : 20x10⁶ operations without operator
 Terminal capacity : 10x10⁶ operations with operator
 : 3.50 Kg
 : 2.5mm² solid or stranded conductors

Precision Basic Limit Switch 1 NO + 1 NC Contacts



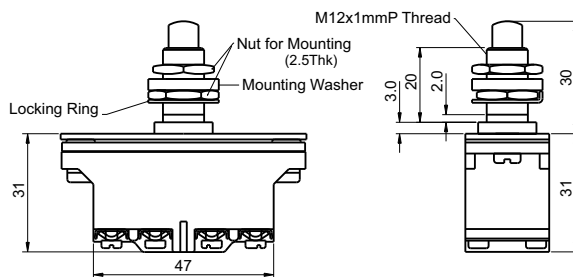
Model	Contacts	M.R.P.Rs
JO1	1NO+1NC	567

Precision Basic Limit Switch 2 NO + 2 NC Contacts



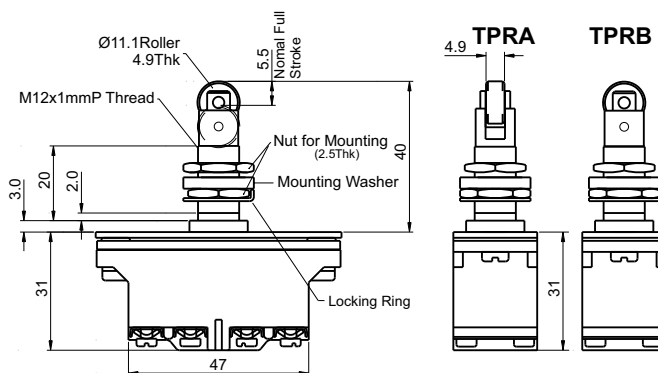
Model	Contacts	M.R.P.Rs
JO2	2NO+2NC	684

Precision Limit Switch with Top Push Button



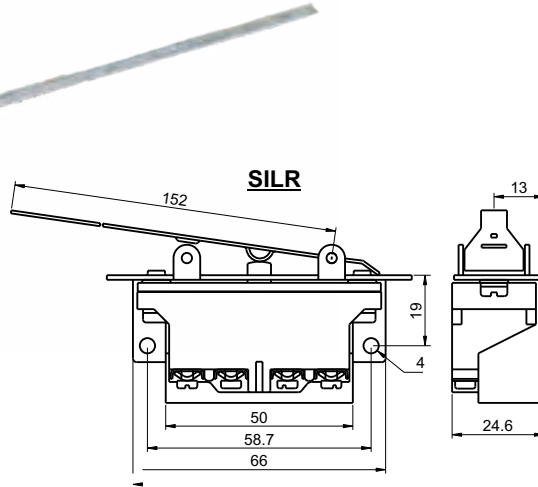
Model	Contacts	M.R.P.Rs
JO1TPB	1NO+1NC	756
JO2TPB	2NO+2NC	882

Precision Limit Switch with Top Push Roller

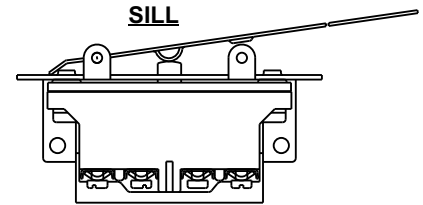


Model	Contacts	M.R.P.Rs
JO1TPRA	1NO+1NC	756
JO2TPRA	2NO+2NC	882
JO1TPRB	1NO+1NC	756
JO2TPRB	2NO+2NC	882

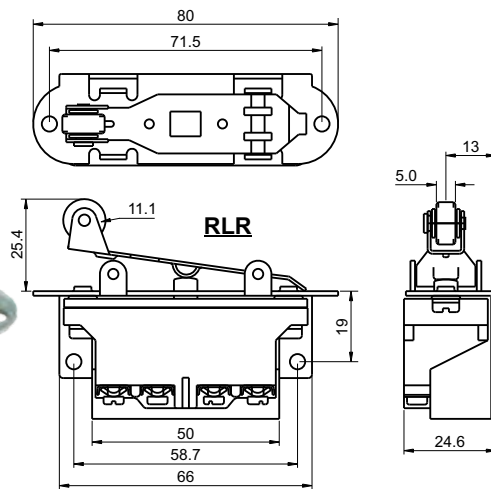
**Precision Limit Switch
with 6 inch(150mm) long Lever**



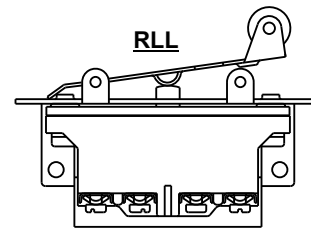
Model	Contacts	M.R.P.Rs
JO1SILR	1NO+1NC	756
JO2SILR	2NO+2NC	882
JO1SILL	1NO+1NC	756
JO2SILL	2NO+2NC	882



**Precision Limit Switch
with Roller Lever**



Model	Contacts	M.R.P.Rs
JO1RLR	1NO+1NC	756
JO2RLR	2NO+2NC	882
JO1RLL	1NO+1NC	756
JO2RLL	2NO+2NC	882



With 10mm Roller

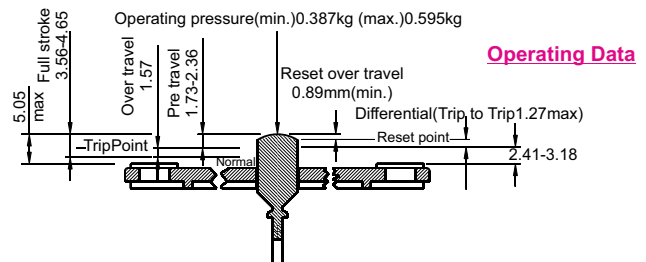
Model	Contacts	M.R.P.Rs
JO1RLR	1NO+1NC	792
JO2RLR	2NO+2NC	909
JO1RLL	1NO+1NC	792
JO2RLL	2NO+2NC	909

Also Available
Precision Limit Switch Lever Type with 10mm Roller

Operational current and voltage

AC 15 rating	Single pole (1 NO + 1 NC changeover contacts)		Double pole (2 NO + 2 NC changeover contacts)	
	110V	4.0A	3.0A	3.0A
240V	2.0A	1.5A	1.5A	
440V	1.0A	0.8A	0.8A	
600V	0.8A	0.6A	0.6A	
DC 13 rating	Single throw	Double throw	Single throw	Double throw
	115V	2.0A	0.5A	1.0A
230V	0.5A	0.2A	0.3A	0.1A
600V	0.1A	0.02A	0.1A	

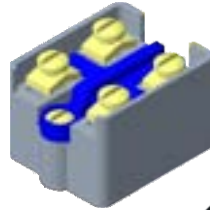
The Above Types of Switches are also available with **Gold Plated Contacts** (At extra cost)



Post Box No. 27, 89 (New No. 107),SIDCO Industrial Estate,Ambattur, Chennai -600 098. India
Phone: +91 44 26251279 / 26257859 / 26254470 Fax: +91 44 26255038.
E-mail: dchandramohan@jaibalaji.firm.in Web: jaibalaji.in

BC-9 MINI LIMIT SWITCHES

CATALOGUE AND PRICE LIST



BASIC SWITCH
BC9M 'E'
MRP. Rs.432



JMLS JWA
M.R.P. Rs.792



JMLS LA
M.R.P. Rs.792



JMLS TAR
M.R.P. Rs.792



JMLS TNR
M.R.P. Rs.792



JMLS TPB
M.R.P. Rs.792



JMLS L-1
M.R.P. Rs.792



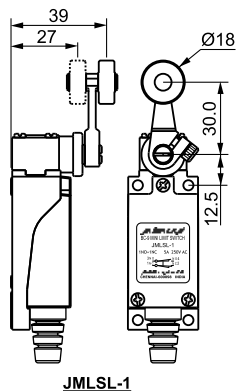
JMLS TPR
M.R.P. Rs.792



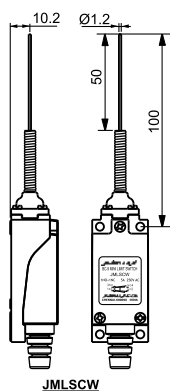
JMLS CW
M.R.P. Rs.792



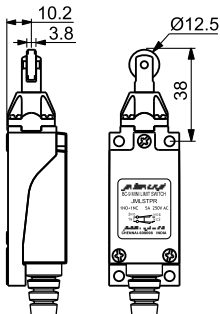
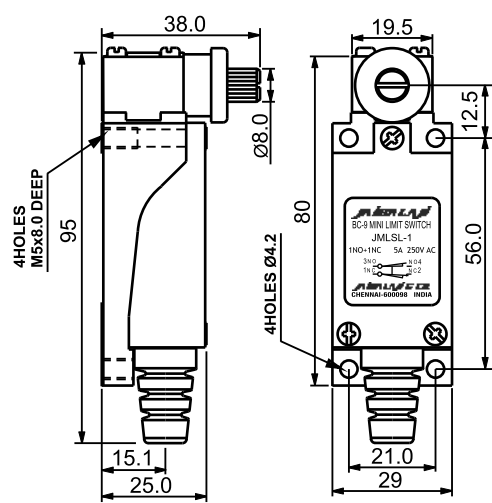
JMLS CWN
M.R.P. Rs.792



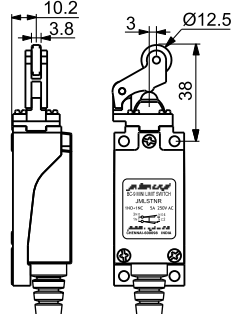
JMLSLS-1



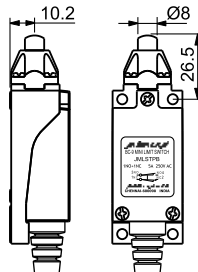
JMLSCW



JMLSTPR

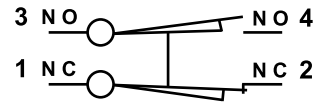


JMLSTNR

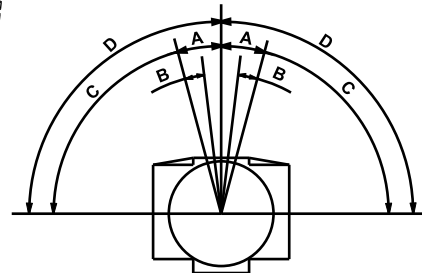


JMLSTPB

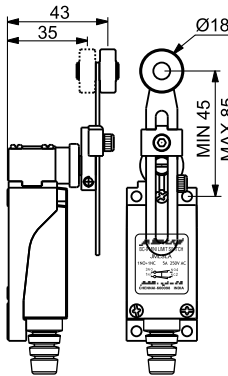
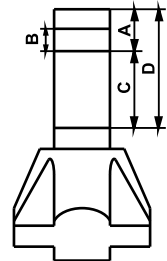
Wiring Diagram



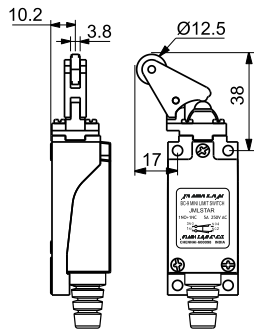
Angular Motion



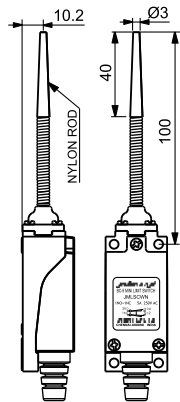
Linear Motion



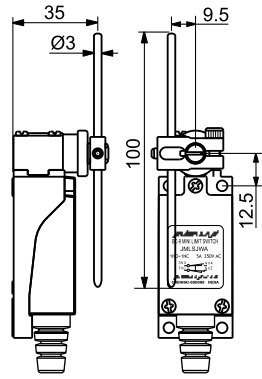
JMLSLA



JMLSTAR



JMLSCWN



JMLSJWA

MODEL	JMLSLS-1 JMLSLA JMLSJWA (max)	JMLSTPR JMLSTPB (mm) (max)	JMLSCWN (mm) (max)	JMLSTAR (mm) (max)
A -Travel to Trip	15°	1.5	30	2.0
B -Travel to Reset from Trip Point	8°	0.8	-	-
C -Over Travel	75°	4.0	20	3.5
D -Total Travel	90°	5.5	50	5.5
Operating Force	600gms At30 Radius	900gms	90gms	900gms

PRODUCT SPECIFICATIONS

Utilization Category: AC15and DC13 as per IEC-60947-5 & IS: 13947-5-1
 Rated Insulation Voltage : 250V AC
 Rated Thermal Current Ith : 5A
 Contact Ratings : AC15 RATING 250V, 50Hz, 2.0A, DC13 RATING 125V, 0.1A
 Mechanical Life Span : 10 x 10⁶ Operations
 Enclosure Category : IP-64
 Max. Operation Speed : 120 cycles/minute
 Tightening Torque of Terminal Screw : 0.8 Nm(Max.)
 Applicable wire : Conductor size: 0.75 - 1.25 mm²
 Outer Dia of cable: 6-9 mm



Post Box No. 27, 89 (New No. 107),SIDCO Industrial Estate,Ambattur, Chennai -600 098. India
 Phone: +91 44 26251279 / 26257859 / 26254470 Fax: +91 44 26255038.
 E-mail: dchandramohan@jaibalaji.firm.in Web: jaibalaji.in

Limit Switches

TYPE CEE EM 45 SERIES

IP 67

CATALOGUE CUM PRICE LIST



PUSH ROD

ANGULAR ROLLER

NORMAL ROLLER

GENERAL

JAIBALAJI manufactures a wide range of Limit switches tested to rigid quality standards. Jaibalaji switches are ISI marked as per IS/IEC:60947-Pt5/Sec-1

JAIBALAJI Limit switches with wide range and high quality are used for import substitution. The range includes:

- STANDARD OIL TIGHT TYPE BC-9
- MICRO ADJUSTABLE TYPE JW
- PRECISION TYPE JO
- HEAVY DUTY JB 2700
- EXTRA HEAVY DUTY TYPE JC - 1125
- GENERAL PURPOSE TYPE CEE EM 45

SPECIAL FEATURES

- Completely oil & water tight and dust and damp proof.
- Ample wiring space for easy termination.
- Flame retardant thermoplastic barriers between terminals to prevent short circuit.
- Serrated terminal to give firm grip to straight wire.

TECHNICAL DATA:

Electrical Contact rating	: 1NO+1NC 2NO + 2NC																		
Continuous Current (Ith ₂)	: 10A																		
Rated Voltage A.C.	: 500V																		
D.C.	: 600V																		
Permissible ambient temperature	: -40°C to +85°C																		
Mechanical Life	: 15 million Switching cycles.																		
Contact Life A. C.	<table border="1" style="width: 100%; border-collapse: collapse; text-align: center;"> <tr> <td>Breaking Current -A</td> <td>1</td> <td>3</td> <td>6</td> <td>10</td> </tr> <tr> <td>Switching Cycles-million</td> <td>15</td> <td>5</td> <td>2.5</td> <td>1</td> </tr> <tr> <td></td> <td>(11)</td> <td>(4)</td> <td>(1.8)</td> <td>(0.7)</td> </tr> </table>				Breaking Current -A	1	3	6	10	Switching Cycles-million	15	5	2.5	1		(11)	(4)	(1.8)	(0.7)
Breaking Current -A	1	3	6	10															
Switching Cycles-million	15	5	2.5	1															
	(11)	(4)	(1.8)	(0.7)															

Frequency of operation	: 6000 cycles/hour
------------------------	--------------------

<p>Making and breaking capacity and operational current - 40 - 60 Hz, p.f. 0.3 to 1</p> <p>AC 15 duty</p> <table border="1" style="width: 100%; border-collapse: collapse; text-align: center;"> <thead> <tr> <th>Voltage</th> <th>Rated Operating current (Ie)</th> <th>Rated making capacity</th> <th>Rated breaking capacity</th> </tr> <tr> <th>V</th> <th>A</th> <th>A</th> <th>A</th> </tr> </thead> <tbody> <tr><td>24</td><td>6(3)</td><td>90(30)</td><td>60(30)</td></tr> <tr><td>125</td><td>6(3)</td><td>90(30)</td><td>60(30)</td></tr> <tr><td>220</td><td>6(3)</td><td>90(30)</td><td>60(30)</td></tr> <tr><td>380</td><td>6(3)</td><td>90(30)</td><td>60(30)</td></tr> <tr><td>415</td><td>4(3)</td><td>90(30)</td><td>60(30)</td></tr> <tr><td>500</td><td>4(3)</td><td>90(30)</td><td>60(30)</td></tr> </tbody> </table>	Voltage	Rated Operating current (Ie)	Rated making capacity	Rated breaking capacity	V	A	A	A	24	6(3)	90(30)	60(30)	125	6(3)	90(30)	60(30)	220	6(3)	90(30)	60(30)	380	6(3)	90(30)	60(30)	415	4(3)	90(30)	60(30)	500	4(3)	90(30)	60(30)	<p>Breaking Capacity - D.C.</p> <table border="1" style="width: 100%; border-collapse: collapse; text-align: center;"> <thead> <tr> <th>Voltage</th> <th>Resistive load(DC1)</th> <th>Inductive load(DC11)</th> </tr> <tr> <th>V</th> <th>A</th> <th>A</th> </tr> </thead> <tbody> <tr><td>24</td><td>10 (7)</td><td>10 (7)</td></tr> <tr><td>110</td><td>2.2(1.5)</td><td>1.3(0.91)</td></tr> <tr><td>220</td><td>0.9(0.62)</td><td>0.4(0.28)</td></tr> <tr><td>440</td><td>0.4(0.28)</td><td>0.2(0.14)</td></tr> <tr><td>600</td><td>0.3(0.21)</td><td>0.14(0.1)</td></tr> </tbody> </table>	Voltage	Resistive load(DC1)	Inductive load(DC11)	V	A	A	24	10 (7)	10 (7)	110	2.2(1.5)	1.3(0.91)	220	0.9(0.62)	0.4(0.28)	440	0.4(0.28)	0.2(0.14)	600	0.3(0.21)	0.14(0.1)
Voltage	Rated Operating current (Ie)	Rated making capacity	Rated breaking capacity																																																			
V	A	A	A																																																			
24	6(3)	90(30)	60(30)																																																			
125	6(3)	90(30)	60(30)																																																			
220	6(3)	90(30)	60(30)																																																			
380	6(3)	90(30)	60(30)																																																			
415	4(3)	90(30)	60(30)																																																			
500	4(3)	90(30)	60(30)																																																			
Voltage	Resistive load(DC1)	Inductive load(DC11)																																																				
V	A	A																																																				
24	10 (7)	10 (7)																																																				
110	2.2(1.5)	1.3(0.91)																																																				
220	0.9(0.62)	0.4(0.28)																																																				
440	0.4(0.28)	0.2(0.14)																																																				
600	0.3(0.21)	0.14(0.1)																																																				

<p>NEW BASIC SWITCHES</p> <p>WITH SLOW MAKE AND BREAK CONTACTS</p>	<p>Electrical Contact rating</p> <p>2NO + 2 NC</p> <table border="1" style="width: 100%; border-collapse: collapse;"> <tr> <td style="width: 50%;">AC 15 rating</td> <td>Double pole : 2 No + 2NC Changeover contacts</td> </tr> <tr> <td>110V</td> <td>3.0A</td> </tr> <tr> <td>240V</td> <td>1.5A</td> </tr> <tr> <td>440V</td> <td>0.5A</td> </tr> <tr> <td>600V</td> <td>0.6A</td> </tr> <tr> <td>DC 13 rating</td> <td>Single Throw Double throw</td> </tr> <tr> <td>115V</td> <td>1.0A 0.2A</td> </tr> <tr> <td>230V</td> <td>0.3A 0.1A</td> </tr> <tr> <td>400V</td> <td>0.1A</td> </tr> </table>	AC 15 rating	Double pole : 2 No + 2NC Changeover contacts	110V	3.0A	240V	1.5A	440V	0.5A	600V	0.6A	DC 13 rating	Single Throw Double throw	115V	1.0A 0.2A	230V	0.3A 0.1A	400V	0.1A
AC 15 rating	Double pole : 2 No + 2NC Changeover contacts																		
110V	3.0A																		
240V	1.5A																		
440V	0.5A																		
600V	0.6A																		
DC 13 rating	Single Throw Double throw																		
115V	1.0A 0.2A																		
230V	0.3A 0.1A																		
400V	0.1A																		

S.No.	Model	Contacts	M.R.P Rs.
1	CEE EM 45 - 108	-	522
2	CEE EM 45 - 117	-	522
3	CEE EM 45 - 126	-	522
4	CEE EM 45 - 108 PCE	2NC OR 2NO	576
5	CEE EM 45 - 117 PCE	2NC + 1NO	576
6	CEE EM 45 - 126 PCE	2NO + 1NC	576

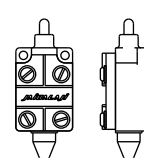
Flexibility of replacing complete contact block without changing the operating characteristic

The twin break silver contacts provide quick make and break action with high contact pressure

Completely protected against cutting lubricant and fine dust penetration by using special 'O' rings and gaskets

Available in 2NO + 2NC configuration in the same as 1NO + 1NC version, thus reducing additional limit switches and control relays

SELECTION TABLE

Execution	Design	Contacts		Type	MRP Rs.		Enclosure according to IS/IEC: 60947
		Arrangement	No. of contacts		1NO+1NC	2NO+2NC	
 open 	With Push-rod	Normal		45-9 E	306		IP 00
		Snap Action	1NO + 1NC	45-18 E	333		
		Extended Stroke	1NO + 1NC	45-27E	306		
		Overlapping	1NO + 1NC	45-36E	333		
	With Push-rod and plastic protective cover	Normal	1NO + 1NC	45-9 PCE	333		IP 40
		Snap Action	1NO + 1NC	45-18PCE	351		
		Extended Stroke	1NO + 1NC	45-27PCE	333		
		Overlapping	1NO + 1NC	45-36PCE	351		
  	With Push-rod	Normal	1NO + 1NC	45-9	810		IP 67
		Snap Action	1NO + 1NC	45-18	828	1944	
		Extended Stroke	1NO + 1NC	45-27	810		
		Overlapping	1NO + 1NC	45-36	828		
	With Normal Roller Lever	Normal	1NO + 1NC	45-45	810		IP 67
		Snap Action	1NO + 1NC	45-54	828	1944	
		Extended Stroke	1NO + 1NC	45-63	810		
		Overlapping	1NO + 1NC	45-72	828		
	With Angular Roller Lever	Normal	1NO + 1NC	45-81	810		IP 67
		Snap Action	1NO + 1NC	45-90	828	1944	
		Extended Stroke	1NO + 1NC	45-99	810		
		Overlapping	1NO + 1NC	45-09	828		
	With Roller Lever	Snap Action	1NO + 1NC	45-54 LA	1800	3141	IP 67
		Snap Action	1NO + 1NC	45-54 L1	1800	3141	
	With Angular/Normal Roller Lever	Normal	1NO + 1NC	45-45PGS A/N	810		
		Snap Action	1NO + 1NC	45-54PGS A/N	828	1944	

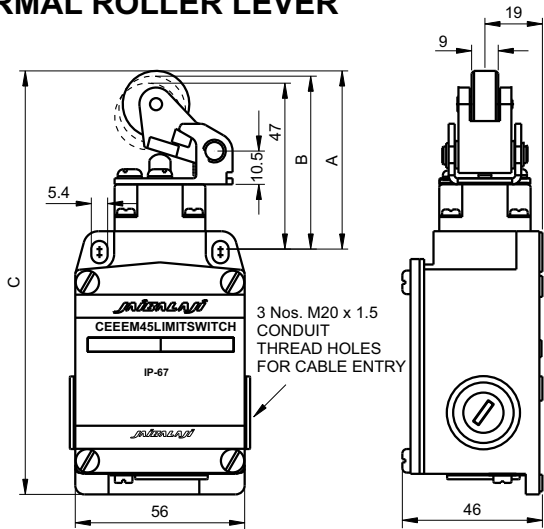
The Above Types of Switches are also available with **Gold Plated Contacts** (At extra cost)

The Above Types of Switches are also available for **High Temperature (150°C)** (At extra cost)

and with **LED Indicator** (At extra cost)

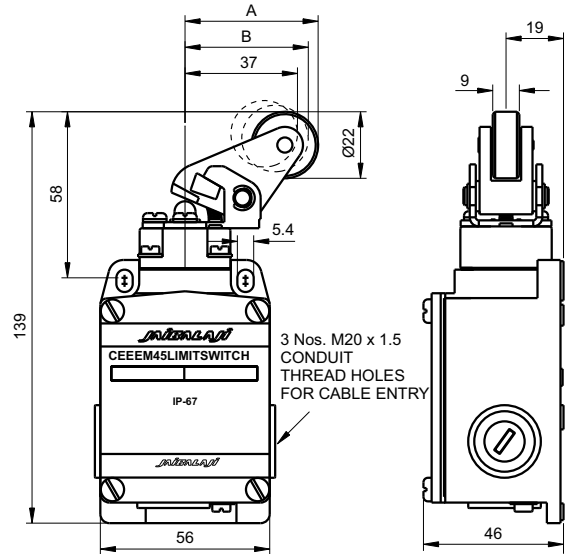
DO NOT SCALE/DIMENSIONS ARE IN MM

**IN OIL TIGHT DIE CAST ALUMINIUM HOUSING
NORMAL ROLLER LEVER**



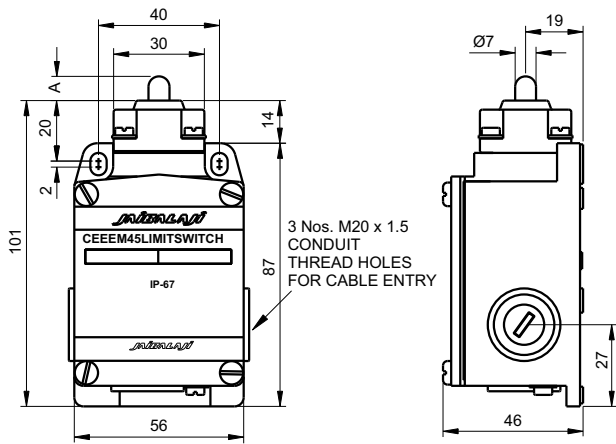
TYPE	A	B	C
45-45	56	55	137
45-54	56	53	137
45-63	58	57	137
45-72	56	56	137

ANGULAR ROLLER LEVER



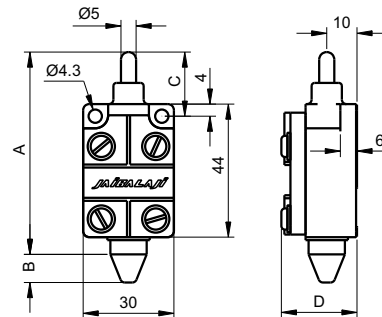
TYPE	A	B
45-81	44	43
45-90	44	41
45-99	45	45
45-09	44	43

PUSH ROD ACTUATOR



TYPE	A
45-9	6
45-18	4
45-27	8
45-36	6

OPEN EXECUTION



TYPE	A	B	C	D
45-9E	67	7	21	25
45-9PCE	67	7	21	30
45-18E	65	2	19	25
45-18PCE	65	2	19	30
45-27E	67	9	21	25
45-27PCE	67	9	21	30
45-36E	67	7	21	25
45-36PCE	67	7	21	30

Manufactured by :

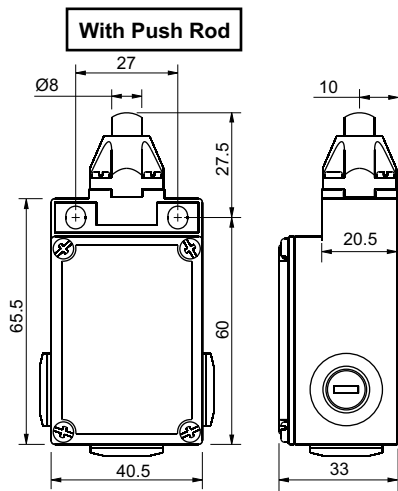
JAIBALAJI
CONTROL GEARS PVT. LTD

POST BOX NO. 27
89, (NEW NO:107), SIDCO INDUSTRIAL ESTATE
AMBATTUR, CHENNAI - 600 098.
PHONE : 26251279, 26257859, 26254469
FAX : 044-26255038.
E-MAIL : dchandramohan@jaibalaji.firm.in

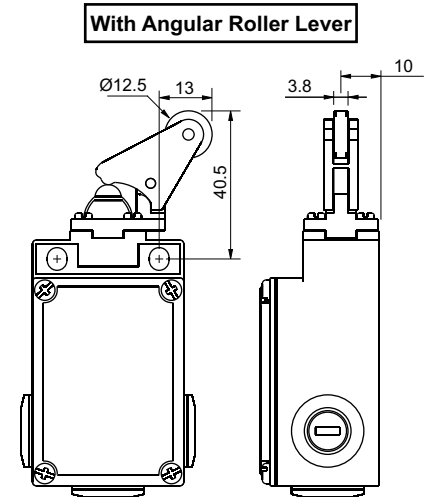
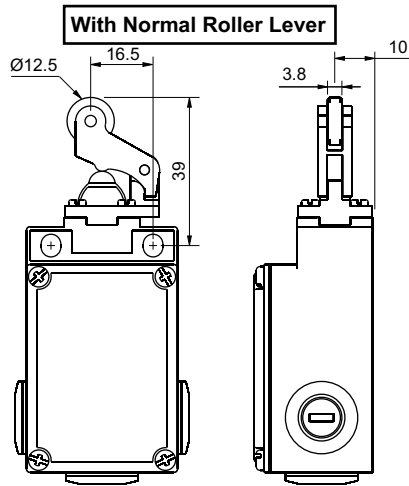
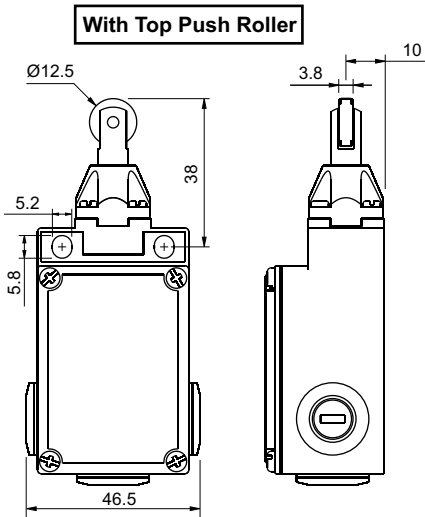
JAIBALAJI

CEE EM 45 MINI LIMIT SWITCH

CATALOGUE CUM PRICE LIST



Utilization category	: AC15 and Dc13 as per IEC-60947-5 and IS:13947-5-1
Rated Insulation Voltage	: 250 V AC
Rated Thermal Current Ith	: 5A
Contact Ratings	: AC 15 Rating 250V,50Hz,2.0A DC 13 Rating 125V,0.1A
Mechanical life	: 10 x 10 6 operations
Enclosure Category	: IP - 64
Cable Entry	: M16x1.5 P Thread (3 Places)



Head	Contact	Code No.	Plastic Roller MRP Rs.	Metal Roller MRP Rs.
Top Push Rod	Normal Action	AAR VEE 9 - 9		513
	Snap Action	AAR VEE 9 - 18		540
Top Push Roller Plastic	Normal Action	AAR VEE 9 - 27 *	540	585
	Snap Action	AAR VEE 9 - 36 *	567	603
With Normal Roller Lever - Plastic	Normal Action	AAR VEE 9 - 45 *	594	621
	Snap Action	AAR VEE 9 - 54 *	621	657
With Angular Roller Lever - Plastic	Normal Action	AAR VEE 9 - 63 *	594	621
	Snap Action	AAR VEE 9 - 72 *	621	657
Roller Lever	Snap Action	AAR VEE 9 - L1 *	729	774
Roller Lever Adjustable	Snap Action	AAR VEE 9 - LA*	729	774
Cat Whisker	Snap Action	AAR VEE 9 - CW		783
Cat Whisker Nylon	Snap Action	AAR VEE 9 - CWN		783
With Steel Rod	Snap Action	AAR VEE 9 - JWA		783

*Add Suffix M for Metal Roller



JAIBALAJI
CONTROL GEARS PVT. LTD

Post Box No. 27, 89 (New No. 107),SIDCO Industrial Estate,Ambattur, Chennai -600 098. India
Phone: +91 44 26251279 / 26257859 / 26254470 Fax: +91 44 26255038.
E-mail: dchandramohan@jaibalaji.firm.in Web: jaibalaji.in

JAIBALAJI

VEE EER 45 - GENERAL PURPOSE LIMIT SWITCH

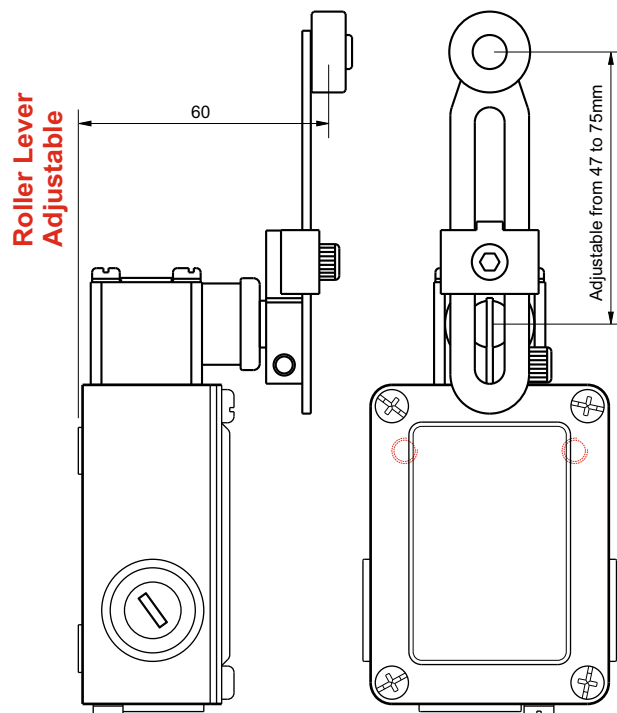
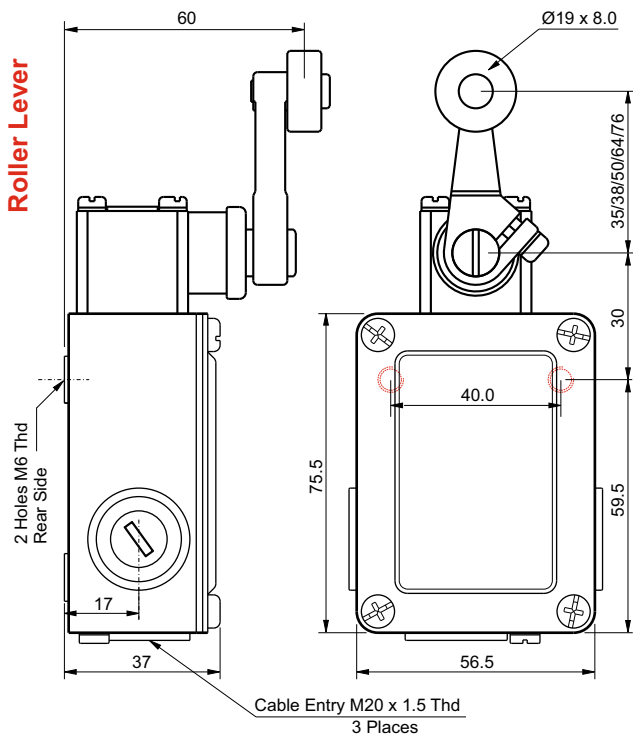


Utilization category
Thermal Current Ith
Insulation Voltage
Contact Combination
Mechanical life
Enclosure
Terminal Capacity

: AC15 and DC13 as per IS / IEC-60947-5
: 10A @ 240V AC / 30V DC
: 600V AC
: 1 NO + 1 NC
: 10 x 10⁶ operations
: Die Cast Aluminium
: 2.5² mm Solid OR Stranded

Model : VEE EER 45 - 9L M.R.P. Rs. 1431
VEE EER 45 - 18L M.R.P. Rs. 1458

Model : VEE EER 45 - 9LA M.R.P. Rs. 1431
VEE EER 45 - 18LA M.R.P. Rs. 1458

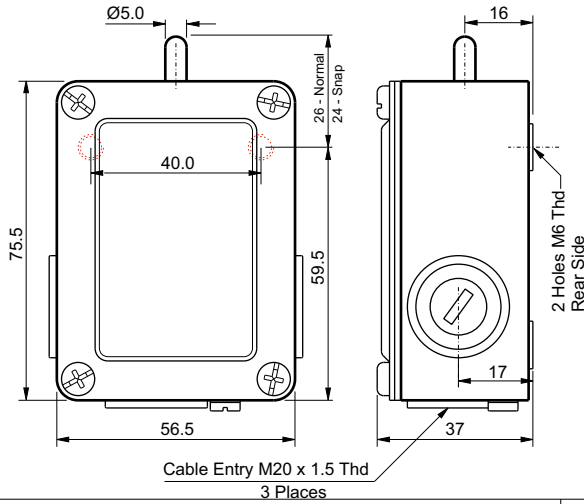


JAIBALAJI
CONTROL GEARS PVT. LTD

Post Box No. 27, 89 (New No. 107), SIDCO Industrial Estate, Ambattur, Chennai -600 098. India
Phone: +91 44 26251279 / 26257859 / 26254470 Fax: +91 44 26255038.
E-mail: dchandramohan@jaibalaji.firm.in Web: jaibalaji.in

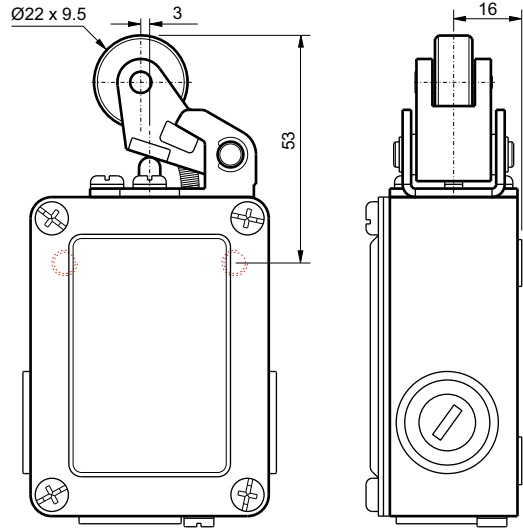
Model : VEE EER 45 - 9TP M.R.P. Rs. 711
VEE EER 45 - 18TP M.R.P. Rs. 756

Top Push Plunger



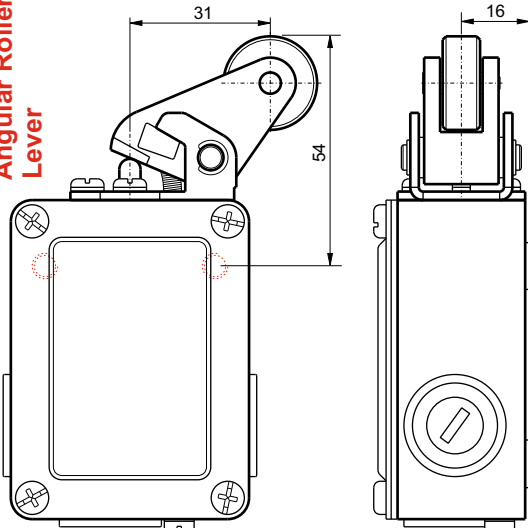
Model : VEE EER 45 - 9NL M.R.P. Rs. 711
VEE EER 45 - 18NL M.R.P. Rs. 756

Normal Roller Lever



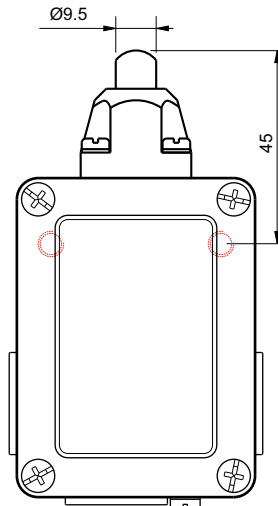
Model : VEE EER 45 - 9AL M.R.P. Rs. 711
VEE EER 45 - 18AL M.R.P. Rs. 756

Angular Roller Lever



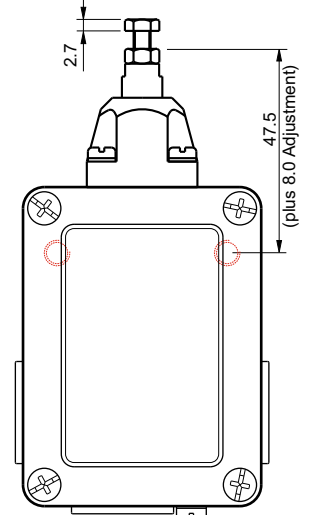
Model: VEE EER 45 - 9TPB M.R.P. Rs. 711
VEE EER 45 - 18TPB M.R.P. Rs. 756

Top Push Button



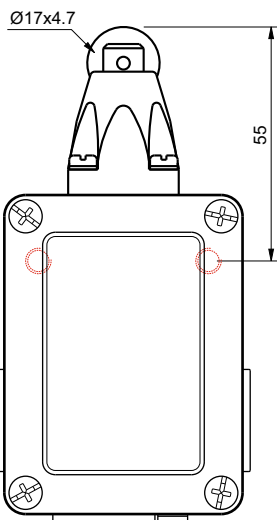
Model: VEE EER 45 - 9TPBA M.R.P. Rs. 711
VEE EER 45 - 18TPBA M.R.P. Rs. 756

Top Push Button Adjustable



Model: VEE EER 45 - 9TPR M.R.P. Rs. 711
VEE EER 45 - 18TPR M.R.P. Rs. 756

Top Push Roller



Type	Contact	Model	Trip Travel (Max)	Total Travel
Roller Lever 35/38/50/64/76	Normal Action	VEE EER 45 - 9L	25°	50°
	Snap Action	VEE EER 45 - 18L	20°	50°
Roller Lever Adjustable	Normal Action	VEE EER 45 - 9LA	25°	50°
	Snap Action	VEE EER 45 - 18LA	20°	50°
Top Push Roller	Normal Action	VEE EER 45 - 9TPR	3.0mm	5.5
	Snap Action	VEE EER 45 - 18TPR	2.0mm	5.0
With Normal Roller Lever	Normal Action	VEE EER 45 - 9NL	4.0mm	7.0
	Snap Action	VEE EER 45 - 18NL	2.5mm	7.0
With Angular Roller Lever	Normal Action	VEE EER 45 - 9AL	3.5mm	5.0
	Snap Action	VEE EER 45 - 18AL	3.5mm	5.0
Top Push Button	Normal Action	VEE EER 45 - 9TPB	3.0mm	5.5
	Snap Action	VEE EER 45 - 18TPB	2.0mm	5.0
Top Push Button Adjustable	Normal Action	VEE EER 45 - 9TPBA	3.0mm	5.5
	Snap Action	VEE EER 45 - 18TPBA	2.0mm	5.0
Top Push Plunger	Normal Action	VEE EER 45 - 9TP	4.5mm	8.0
	Snap Action	VEE EER 45 - 18TP	2.0mm	5.0

JAIBALAJI
CONTROL GEARS PVT. LTD

Post Box No. 27, 89 (New No. 107),SIDCO Industrial Estate,Ambattur, Chennai -600 098. India
 Phone: +91 44 26251279 / 26257859 / 26254470 Fax: +91 44 26255038.
 E-mail: dchandramohan@jaibalaji.firm.in Web: jaibalaji.in

JAIBALAJI JW LIMIT SWITCHES

DUST AND DAMP PROOF IP 67 WITH

IS/IEC:60947



Pt-5 / Sec-1

CATALOGUE CUM PRICE LIST

JW 12/18
Adjustable Lever



JW 12/18
with 38 Lever



JW 12/18
with 76.2 Lever



JW 12/18
with Fork Lever



JW 32/38
Micro adjustable Roller



JW 42/48
Micro adjustable Push rod



JW 12/18
with Offset Lever

CONFORMS TO IS/IEC:60947 Pt5 Sec1
PROTECTION IP 67

LEVER ARM OPERATED

JW - 12 1 NO 1 NC

JW - 18 2 NO 2 NC

MICRO ADJUSTABLE LIMIT SWITCHES

- ★ MICRO TRIP TORQUE ADJUSTMENT
- ★ RESET POSITION ADJUSTMENT
- ★ REVERSE ACTION SETTING ADJUSTMENT
- ★ RAPID SETTING ADJUSTMENTS OF ROTARY OPERATION LEVER THROUGH 360° AND SCHEME CHANGES WITHOUT DISMOUNTING
- ★ FOUR POSSIBLE MOUNTING POSITIONS

ROLLER PLUNGER OPERATED

JW - 32 1 N.O 1 N.C.

JW - 38 2 N.O. 2 N.C. AND

PUSH ROD PLUNGER OPERATED

JW - 42 1 N.O 1 N.C.

JW - 48 2 N.O. 2 N.C.

MICRO METER ADJUSTMENT LIMIT SWITCHES

PLUNGER TYPE SWITCHES SHOULD BE USED WHERE A MICROMETER ADJUSTMENT OF THE PLUNGER IS REQUIRED. THESE SWITCHES ARE SUITABLE FOR USE ON MACHINES WHERE SHORT, CONTROLLED CAM MOVEMENTS ARE PRESENT. OPERATION MUST BE IN LINE WITH PLUNGER AXIS OR CAN BE PERPENDICULAR TO THE PLUNGER AXIS ON THE ROLLER PLUNGER TYPES.

LEVER ARM OPERATED

APPROXIMATE DIMENSIONS NOT FOR CONSTRUCTION (Dimensions in mm)

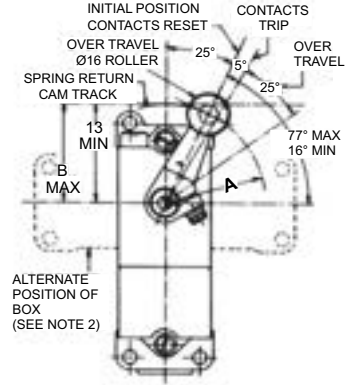
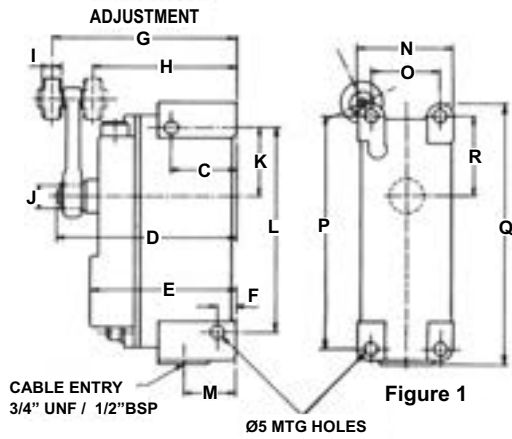


Figure 1 and 2 JW-12, JW-18

A	B	C	D	E	F	G	H	I	J	K	L	M	N	O	P	Q	R
Length of Arm 5 mm	Arm Length Plus 5 mm	24	68	56	5	68 - 70	56 - 58	8	11	23	78	19	37	27	89	98	29

OPERATING TORQUE 3.16 Kg Cm Repeat Accuracy + 0.025 with 35 mm arm.

NOTE 1: For reverse operation place arm and roller in similar position to left of centre line and reverse position of return spring.

NOTE 2: If roller is used in dotted position (side view) it will not pass over cover, and unit must be mounted accordingly.

ROLLER PLUNGER & PUSH ROD PLUNGER OPERATED

APPROXIMATE DIMENSIONS NOT FOR CONSTRUCTION (Dimensions in mm)

SH ROD PLUNGER TYPE-

arm must actuate push rod line with rod axis. Care must be taken to avoid exceeding the overtravel

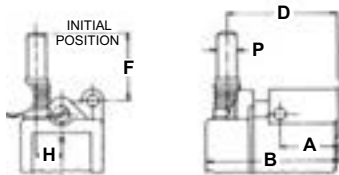


Figure 1 Type JW-42, JW-48

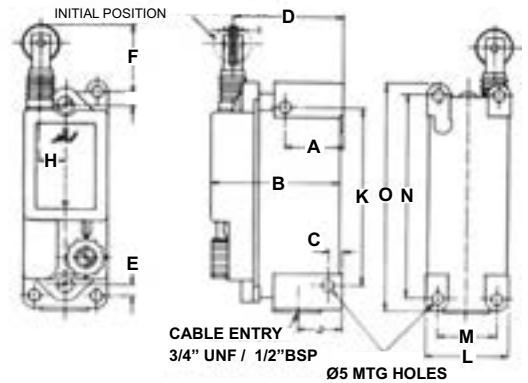
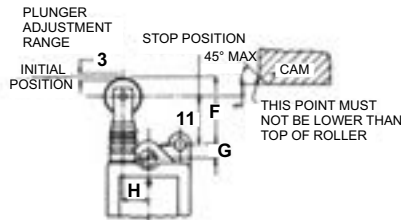
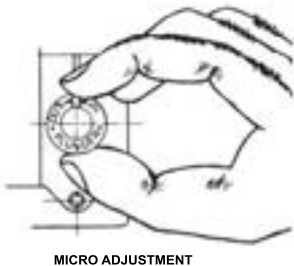
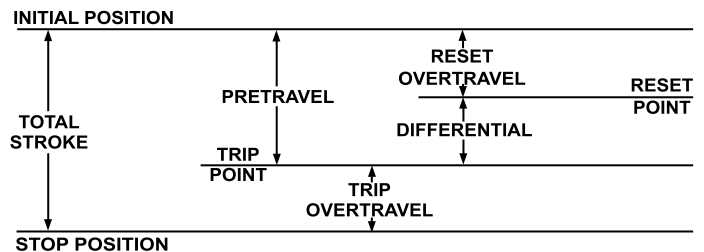


Figure 2 Type JW-32, JW-38



MICRO ADJUSTMENT

- Pretravel 2mm
- Differential 1mm
- Total stroke 6mm
- Operating force 1.4kg.
- Reset force 0.5kg.
- Reset overtravel 1mm
- Trip overtravel 4mm
- Repeat accuracy + 0.30
- Plus or minus 1.6 mm depending upon setting of plunger adjustment.



Figures 1 & 2 types JW-32, JW-38, JW-42, JW-48

Type	A	B	C	D	E	F	G	H	I	J	K	L	M	N	O	P
JW-32, JW-38 JW-42, JW-48	24	56	5	46	5	28	6	10	3	19	78	37	27	89	98	8

Non Plug-in Small Precision Limit Switches are designed specifically for use on modern machine tools, to control starting, stopping or reversing of electrical motors including safety and signalling light, lifting gear, hoists, conveyors, etc.

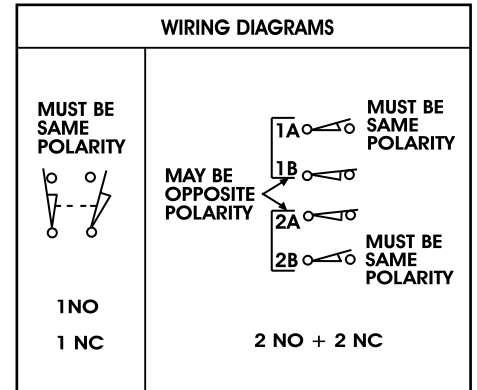
The two pole limit switches are identical in appearance and size to the popular single pole version. Two pole limit switches are desirable in many installations and can reduce the number of limit switches and control relays used.

Protected against oil, cutting lubricants and fine dust penetration by using compressed rubber rings, special gaskets, pressure die cast zinc top and aluminium bottom cover.

All the parts are anti-corrosive material and paints.

Spring return, Snap action, Quick make and Quick break contacts.

Operational current and voltage				
AC 15 rating	Single pole 1 NO + 1 NC Changeover contacts		Double pole 2 NO + 2 NC Changeover contacts	
	110 V	4 A		3.0 A
240 V	2 A		1.5 A	
440 V	1 A		0.8 A	
600 V	0.8 A		0.6 A	
DC 13 rating	Single throw	Double throw	Single throw	Double throw
115 V	2.0 A	0.5 A	1.0 A	0.2 A
230 V	0.5 A	0.2 A	0.3 A	0.1 A
600 V	0.1 A	0.02 A	0.1 A	-



1 N.O.1 N.C. contacts are Single Pole, Double Throw one circuit normally open and one circuit normally closed. These circuits are electrically separate, but cannot be used on opposite polarities.

2 N.O. 2 N.C. contacts: Each pole is electrically separate from the other and can be used on opposite polarities. The contacts of each pole, double throw-these circuits are electrically separate, but cannot be used on opposite polarities

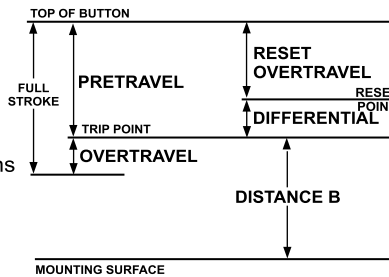
APPROXIMATE DIMENSIONS NOT FOR CONSTRUCTION (Dimensions in mm.)
Operating Data for types JO1 and JO2

TECHNICAL DATA:

Thermal rating 10A
 Operating temperature - 20° to + 70° C
 Storage temperature - 40° to + 70° C
 Transfer time 5 to 6 ms.
 Bounce time 5 ms.
 Repeat Accuracy ± 1/100th
 Mechanical Life 20 million operations
 Tips Nickel Silver Solid

TERMINAL CAPACITY:

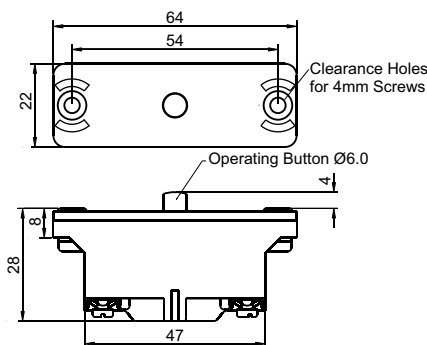
Flexible 2 x 1.5 mm² max.
 Solid 1 x 2.5 mm² max.



	Type JO1	Type JO2
Pretravel	1.5-1.9	1.5-1.9
Full Stroke	2.6-3.2	2.6-3.2
Differential	0.8-1.2	0.6-1.2
Reset Overtravel	0.4-1.0	0.4-1.2
Distance 'B' From top of button to mounting surface at trip point	2.4-2.0	2.4-2.0
Operating force	0.3-0.4 kg.	0.2-0.4 kg.

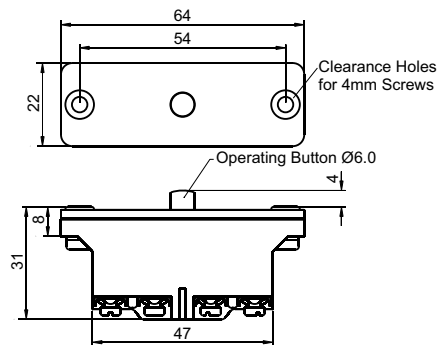
SNAP SWITCH DIMENSIONS

APPROXIMATE DIMENSIONS NOT FOR CONSTRUCTION



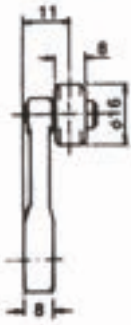
JO 1

28

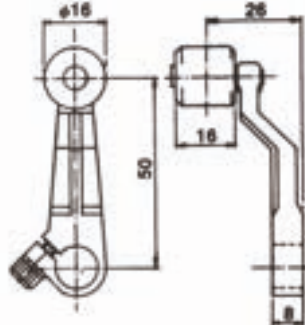


JO 2

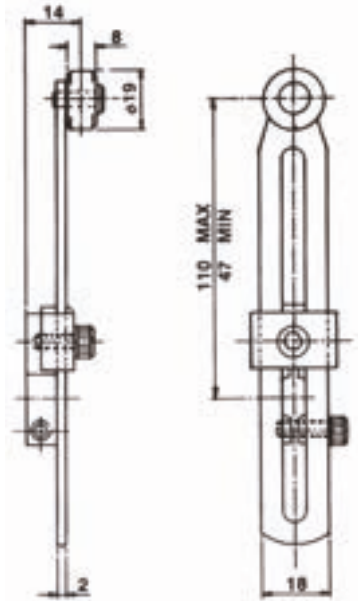
(Dimensions in mm)



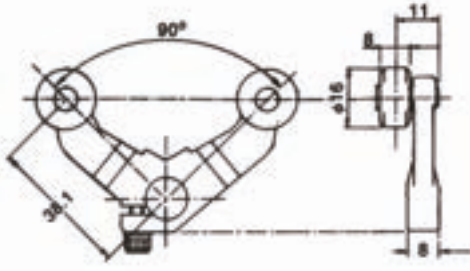
ROLLER LEVER



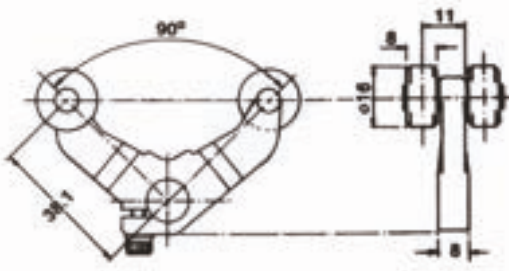
OFFSET LEVER



ADJUSTABLE LEVER



FORK TYPE INLINE ROLLERS



FORK TYPE OFF SET ROLLERS

S.No.	Type	Contacts	Ordering Code	MRP Rs.
1	JW 12 Without lever	1 NO + 1 NC	JW 12	1872
2	JW 12 With 35 mm long lever	1 NO + 1 NC	JW 12	2052
3	JW 12 With 38 mm long lever	1 NO + 1 NC	JW 12	2097
4	JW 12 With 50 mm long lever	1 NO + 1 NC	JW 12	2124
5	JW 12 With 64 mm long lever	1 NO + 1 NC	JW 12	2160
6	JW 12 With 76.2 mm long lever	1 NO + 1 NC	JW 12	2214
7	JW 12 With Adjustable lever	1 NO + 1 NC	JW 12	2232
8	JW 12 With 2" Offset lever	1 NO + 1 NC	JW 12	2295
9	JW 18 Without lever	2 NO + 2 NC	JW 18	2187
10	JW 18 With 35 mm long lever	2 NO + 2 NC	JW 18	2394
11	JW 18 With 38 mm long lever	2 NO + 2 NC	JW 18	2421
12	JW 18 With 50 mm long lever	2 NO + 2 NC	JW 18	2457
13	JW 18 With 64 mm long lever	2 NO + 2 NC	JW 18	2493
14	JW 18 With 76.2 mm long lever	2 NO + 2 NC	JW 18	2547
15	JW 18 With Adjustable lever	2 NO + 2 NC	JW 18	2574
16	JW 18 With 2" Offset lever	2 NO + 2 NC	JW 18	2610
17	Push Rod Button	1 NO + 1 NC	JW 22	1791
18	Push Rod Button	2 NO + 2 NC	JW 28	2124
19	Micro Adjustable Roller Plunger	1 NO + 1 NC	JW 32	1962
20	Micro Adjustable Roller Plunger	2 NO + 2 NC	JW 38	2304
21	Micro Adjustable Push Rod Plunger	1 NO + 1 NC	JW 42	1935
22	Micro Adjustable Push Rod Plunger	2 NO + 2 NC	JW 48	2286

The Above Types of Switches are also available with Gold Plated Contacts (At extra cost)

The Above Types of Switches are also available for High Temperature (150°C) (At extra cost) and with LED Indicator (At extra cost)

JAIBALAJI
CONTROL GEARS PVT. LTD

Post Box No. 27, 89 (New No. 107),SIDCO Industrial Estate,Ambattur, Chennai -600 098. India

Phone: +91 44 26251279 / 26257859 / 26254470 Fax: +91 44 26255038.

E-mail: dchandramohan@jaibalaji.firm.in Web: jaibalaji.in 29

JAI BALAJI

BC 9

OIL TIGHT LIMIT SWITCHES

IP 67

WITH     MARKS

CATALOGUE CUM PRICE LIST



RECOGNITION OF
Quality Plus

PRICE LIST

Description	Type	Ordering Code	1 NO + 1 NC MRP Rs.	2 NO + 2 NC MRP Rs.
Roller Lever	38mm length	JLSL 1	2016	3195
	76mm length	JLSL 2	2016	3195
	50mm length	JLSL 3	2016	3195
	64mm length	JLSL 4	2016	3195
	50mm Offset	JLSL 0	2088	3393
Adjustable Roller Lever	32 to 82.5mm	JLSL A	2016	3195
Fork Lever	Roller in line	JLSF	2160	3465
	with offset roller	JLSFLO	2196	3501
Top Push	Roller type	JLSTPR	2016	3195
	Button type	JLSTPBA	2016	3195
Side Push	Roller type	JLSSPR	2160	3465
	Button type	JLSSPBA	2160	3465
Cat Whisker	Nylon rod	JLSCW	2016	3195
	Steel rod	JLSJW	2016	3195
Pull cord	Pull cord	JLSPC	3177	4311
Belt sway	Belt sway	JLSBS	3177	4311
Top push Normal Roller	Top push Normal Roller	JLSTNR	2016	3195
General Purpose	Angular Roller Lever	JLSGS	1764	3069
	Ang Metal Roller Lever	JLSGS	1836	3150

Ordering Code for **Maintained Contact Models**




Description	Type	Ordering Code	1 NO + 1 NC MRP Rs.	2 NO + 2 NC MRP Rs.
Roller Lever	38mm length	JLSL-1(M)	2214	3519
	76mm length	JLSL-2(M)	2214	3519
	50mm length	JLSL-O(M)	2295	3600
Adjustable Roller Lever	32 to 82.5mm	JLSLA(M)	2214	3519
Fork Lever	Roller in line	JLSLF(M)	2412	3717
	with offset roller	JLSLFLO(M)	2412	3717
Cat Whisker	Steel rod	JLSJW(M)	2214	3519

The Above Types of Switches are also available with **Gold Plated Contacts** (At extra cost)
 The Above Types of Switches are also available for **High Temperature (150°C)** (At extra cost)
 and with **LED Indicator** (At extra cost)

Accessory:

Oil tight conduit entry to the limit switch for 3/4" dia 16 TPI BS threads BCCE.

JALIBALJI BC9 OIL TIGHT LIMIT SWITCHES

JALBALAJI manufactures a wide range of **JALBALAJI** Limit Switches tested to rigid quality standards. **JALBALAJI** BC 9 series Limit Switches comply with IS 13947/pt-5/sec-1 of 2004 & IEC 947-5-1 and carry the unique  mark. **JALBALAJI** Limit Switches are certified by  International Canada and U.S. They also conform to European standard 

FEATURES

JALBALAJI BC9 Oil Tight Limit Switches

- Completely oil & water tight and dust & damp proof
- Ample wiring space for easy termination
- Flame retardant thermo-plastic barriers between terminals to prevent short-circuit
- Serrated terminals to give firm grip to straighten wire
- Flexibility of replacing complete contact blocks without changing the operating characteristic
- The S.P.D.T twin-break silver contacts provide quick make-and-break action with high contact pressure
- The brass forged lever with steel roller and all stainless steel parts provide high rigidity and corrosion resistance.

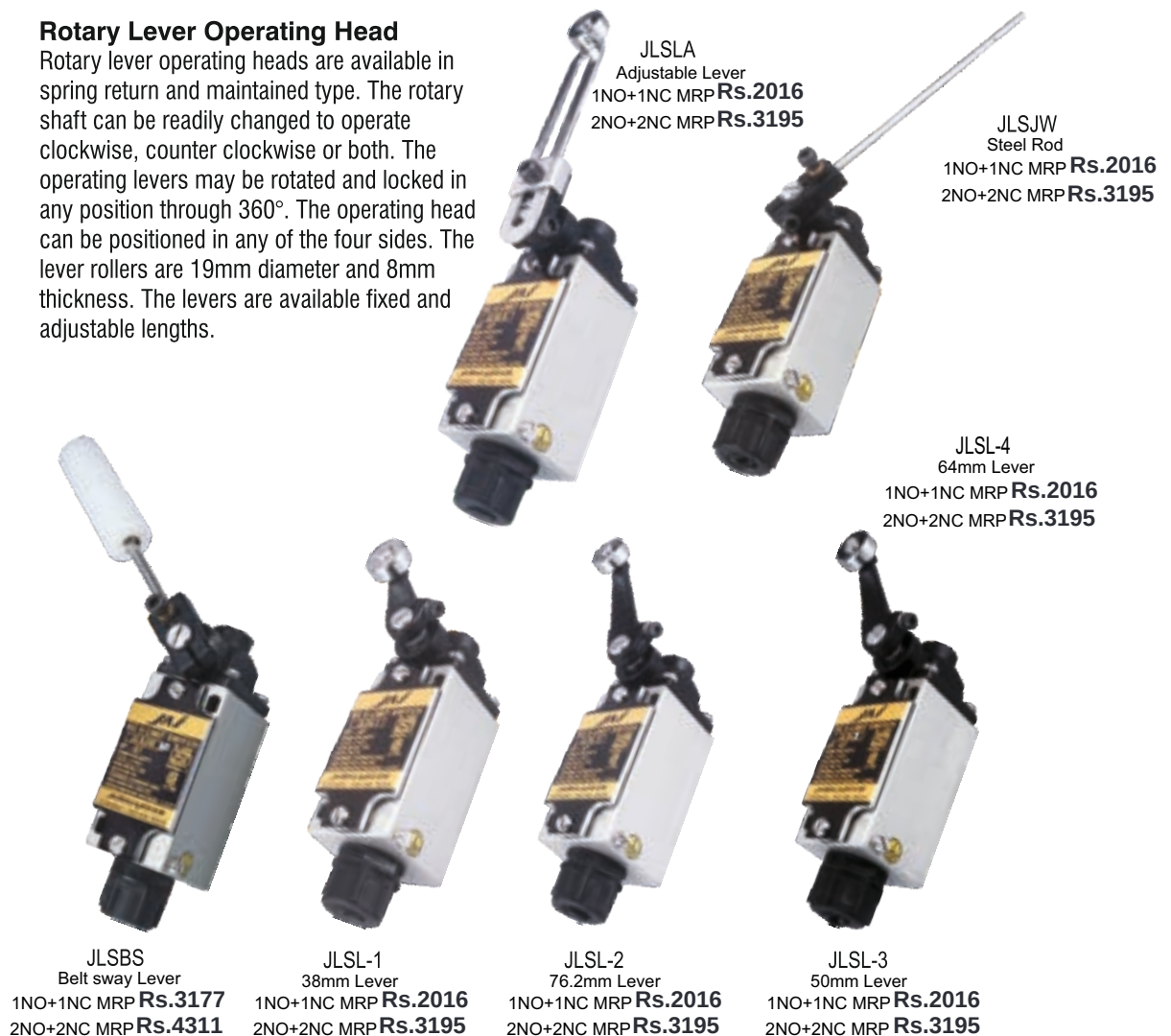
MODELS

JALBALAJI BC9 Oil Tight Limit Switches

BC 9 JLS type limit switches are available with a variety of operating heads to meet diverse applications

Rotary Lever Operating Head

Rotary lever operating heads are available in spring return and maintained type. The rotary shaft can be readily changed to operate clockwise, counter clockwise or both. The operating levers may be rotated and locked in any position through 360°. The operating head can be positioned in any of the four sides. The lever rollers are 19mm diameter and 8mm thickness. The levers are available fixed and adjustable lengths.



Top Push Operating Head

BC9 Top Plunger limit switches are available in three designs. One has an adjustable top push button which has a hex, bolt and lock nut, the length of which can be adjusted upto 8mm (Adjustment is accomplished by locking the 8mm spanner in the spindle and then by turning the threaded 4mm Hex. Head operating plunger and securing it with a lock nut).



JLSTPBA
1NO+1NC MRP **Rs.2016**
2NO+2NC MRP **Rs.3195**

JLSTPR
1NO+1NC MRP **Rs.2016**
2NO+2NC MRP **Rs.3195**

JLSTNR
1NO+1NC MRP **Rs.2016**
2NO+2NC MRP **Rs.3195**

The second type has a steel roller of 11.1 mm diameter and 3.85mm thickness. The top push operating heads are easier to apply because the operating direction and repeat accuracy is less critical.

Side Push Operating Head

Jai BC 9 Side plunger limit switches are in two different designs. One has adjustable push button which can be adjusted upto 8mm (Adjustment is accomplished by locking the 8mm spanner in the spindle and then by turning the threaded 4mm hex. Head operating plunger and securing it with a lock nut).



JLSSPBA
1NO+1NC MRP **Rs.2160**
2NO+2NC MRP **Rs.3465**

JLSSPR
1NO+1NC MRP **Rs.2160**
2NO+2NC MRP **Rs.3465**

The second type has steel roller of 12mm diameter and 3.85mm thickness. In our BC 9 Side plunger roller type limit switches there is a provision to change the positioning of the roller plunger from horizontal to vertical position and vice versa by unscrewing the plunger cap nut and it is ready to operate as per the choice

JLSPC
1NO+1NC MRP **Rs.3177**
2NO+2NC MRP **Rs.4311**

Cat Whisker Operating Head

BC 9 Cat whisker limit switches are available in two designs with 137mm long operating lever. One type consists of 3.2 diameter nylon rod fixed with stainless steel tension spring from the bottom. The second type consists of 6.2 diameter stainless steel tension spring. Both these types can be operated in any direction from the centre.



JLSCW
1NO+1NC MRP **Rs.2016**
2NO+2NC MRP **Rs.3195**

Fork Lever Operating Head :

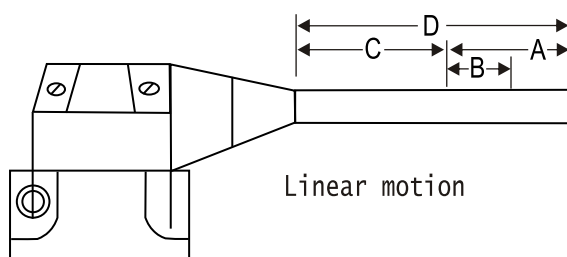
Each of the two arms of length 38mm has a roller of 19mm diameter and 8mm thickness either in line or offset. Available in spring return or maintained type.



JLSF
Fork Roller Lever
1NO+1NC MRP **Rs.2160**
2NO+2NC MRP **Rs.3465**

JLSPC WR
1NO+1NC MRP **Rs.3267**
2NO+2NC MRP **Rs.4572**

Diagram for Operating Data



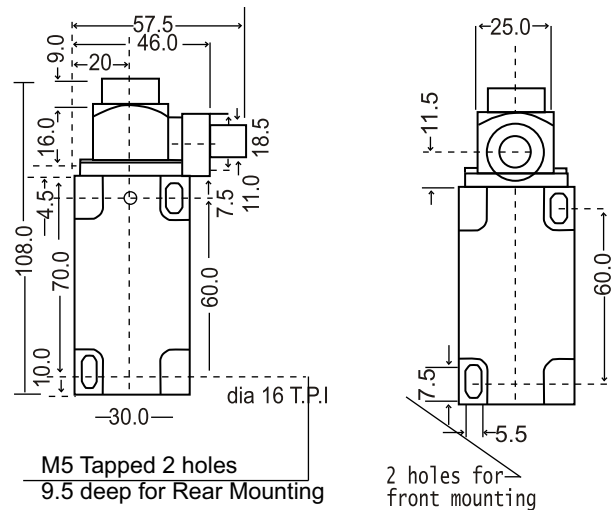
ELECTRICAL & MECHANICAL RATINGS

Utilisation Category AC 15 and DC 13 as per **IS/IEC 60947**

Thermal Current (1th) 10A
 Insulation Voltage (Ui) 600 V AC
 ISI Licence No. CM/L-2015427

Operating Current and Voltage

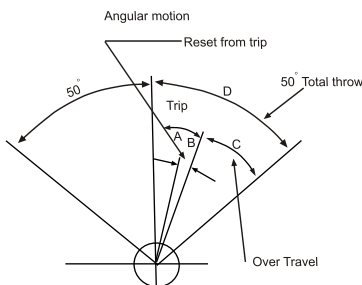
AC 15 rating 6A at 110V; 3A at 220V;
 1.5A at 400V; 1.2A at 550V
 DC 13 rating 0.2A at 110V; 0.1A at 220V,
 Contact combination 1 NO + 1 NC SPDT switch
 change-over contact
 Frequency of operation 2500 operations per hour
 Mechanical life 20×10^6 operations
 Enclosure category Die cast enclosure to IP-67
 as per IS 13947 / Pt5 / Sec1 of 2004
 Terminal capacity 2.5mm solid or stranded



Weights

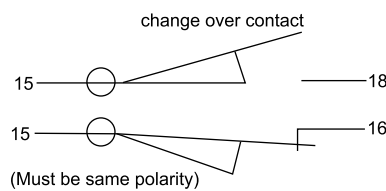
Oil tight limit switches 500 gms approx.
 General purpose limit switches 400 gms approx.

Accessory



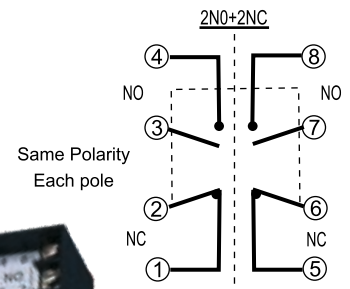
- A Travel to trip
- B Travel to reset from trip point
- C Over travel
- D Total travel

Wiring Diagram: 1NO + 1NC



Basic Switch **BC9E**
 1NO+1NC MRP **Rs.1035**

Wiring Diagram: 2NO + 2NC

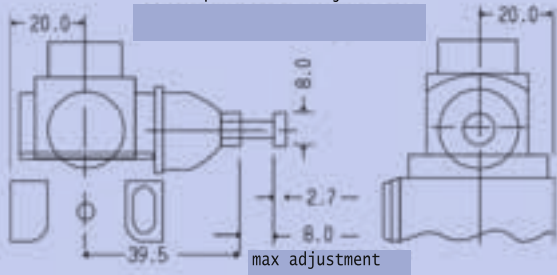


Basic Switch **BC9E**
 2NO+2NC MRP **Rs.1440**

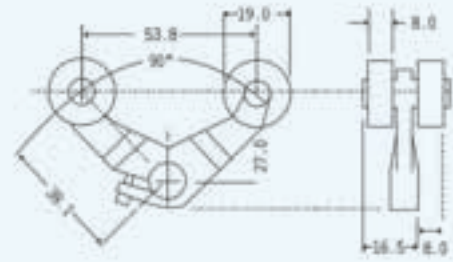
BC 9 Types	JLSL 1 JLSL 2 JLSL A JLSJ W JLSL F JLSLF 0	JLSL 1M JLSL 2M JLSL AM JLSJWM JLSLFM JLSLFOM	JLSTPR JLSTPBA mm	JLSSPR JLSSPBA mm	JLSCW
Travel to trip A	10°	50°+	1.3+	2.0+	20°+
Travel to reset from trip point B	6°	50°+	1.1	1.7	18°+
Over travel C	40°	40°*	5.5	5.1	50°*
Total travel D	50°	90°+	6.8	7.0	250°*
Force to trip (max) kg	1.0	0.5	2.0	2.0	0.285
Force to be applied at a radius of (mm)	28	38	-	-	25.5

+ Maximum * Minimum

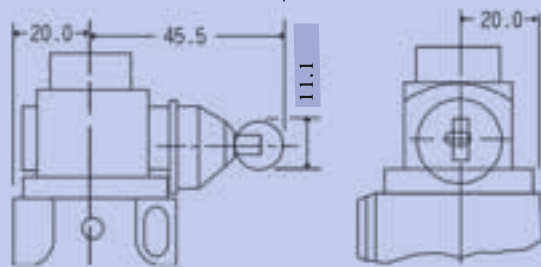
Side push button adjustable



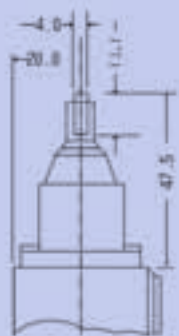
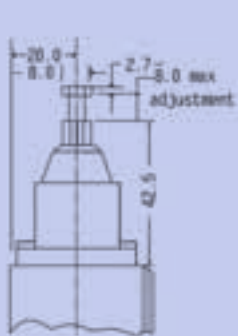
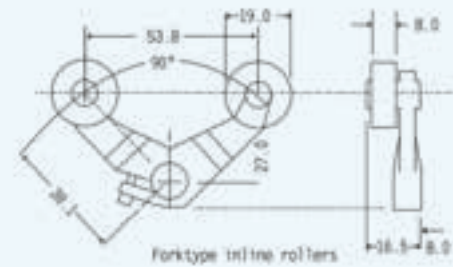
Fork type offset rollers



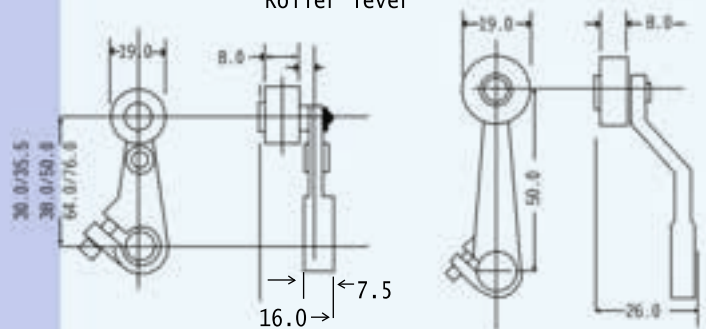
Side push roller



Fork type inline rollers



Roller lever

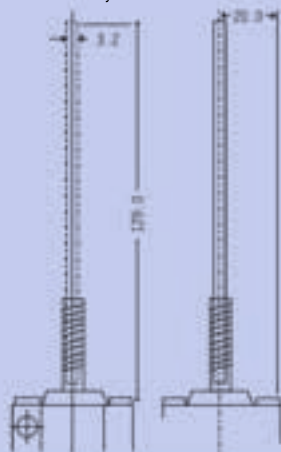


Top push button adjustable

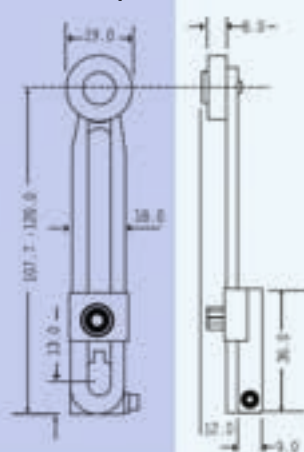
Top push roller

(11.0 offset)

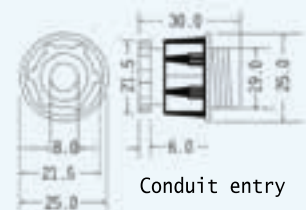
Nylon cat Whiskers



Adjustable lever



Surface mounted side operated



Conduit entry

Manufactured by:

JAIBALAJI
CONTROL GEARS PVT. LTD

Post Bag No. 27,
89 (New No. 107), SIDCO Industrial Estate,
Ambattur, Chennai - 600 098 (India).
Phone: 26251279 / 26257859 / 2625 4470.
Fax: 0091-044-2625 5038.
E-mail: dchandramohan@jaibalaji.firm.in

JAI BALAJI

BC 9 'T'

OIL TIGHT LIMIT SWITCHES

IP 67

WITH    MARKS
Pt-5/ Sec-1 C US

CATALOGUE CUM PRICE LIST



RECOGNITION OF
Quality Plus

PRICE LIST

Description	Type	Ordering Code	1 NO + 1 NC MRP Rs.
Roller Lever	38mm length	BC9 T JLSL - 1	1719
	76mm length	BC9 T JLSL - 2	1719
	50mm length	BC9 T JLSL - 3	1719
	64mm length	BC9 T JLSL - 4	1719
	50mm Offset	BC9 T JLSL - O	1773
Adjustable Lever	32 to 82.5 mm	BC9 T JLSL - A	1719
Fork Lever	Roller inline	BC9 T JLSF	1935
	with Offset roller	BC9 T JLSFLO	2007
OffsetLever	with 50mm Al roller	BC9 T JLSFLO	2133
Top Push	Roller Type	BC9 T JLSTPR	1719
	Button Type	BC9 T JLSTPB	1719
	Button Adjustable	BC9 T JLSTPBA	1719
Side Push	Roller Type	BC9 T JLSSPR	1836
	Button Adjustable	BC9 T JLSSPBA	1836
Cat Whisker	Nylon Rod	BC9 T JLSNCW	1719
	SS Spring	BC9 T JLSSCW	1746
Side operating	Steel rod	BC9 T JLSJW	1719
	Steel rod Adjustable	BC9 T JLSJWA	1719
	Steel rod 'U' Type	BC9 T JLSUW	1719

The Above Types of Switches are also available with **Gold Plated Contacts** (At extra cost)

The Above Types of Switches are also available with **LED Indicator** (At extra cost)

Ordering code for **Maintained contact models**

Description	Type	Ordering Code	1 NO + 1 NC MRP Rs.
Roller Lever	38mm length	BC9 T JLSL - 1(M)	1908
	76mm length	BC9 T JLSL - 2(M)	1908
Adjustable Lever	32 to 82.5 mm	BC9 T JLSL - A(M)	1908
Fork Lever	Roller inline	BC9 T JLSLF(M)	2106
	with Offset roller	BC9 T JLSFLO(M)	2178
Side operating	Steel rod	BC9 T JLSJW(M)	1908
	Steel rod 'U' Type	BC9 T JLSUW(M)	1908

JALIBALAJI BC9 'T' OIL TIGHT LIMIT SWITCHES

JAIBALAJI BC 9'T' Top Push Operating Heads

BC-9'T' Top Plunger Limit Switches are available in three designs. One has an adjustable top push button which has a hex. bolt and lock nut, the length of which can be adjusted upto 8mm (adjustment is accomplished by locking the 8mm spanner in the spindle and then by turning the threaded 4mm Hex. Head operating plunger and securing it with a lock nut).

The second type has a solid button of 9.5mm without any adjustment.

The third type has a nylon roller of 17mm diameter and 4.7 mm thickness. The top push operating heads are easier to apply because the operating direction and repeat accuracy is less critical.

JLSTPR
Top Push Roller
1NO+1NC MRP **Rs.1719**

JLSTPB
Top Push Button
1NO+1NC MRP **Rs.1719**

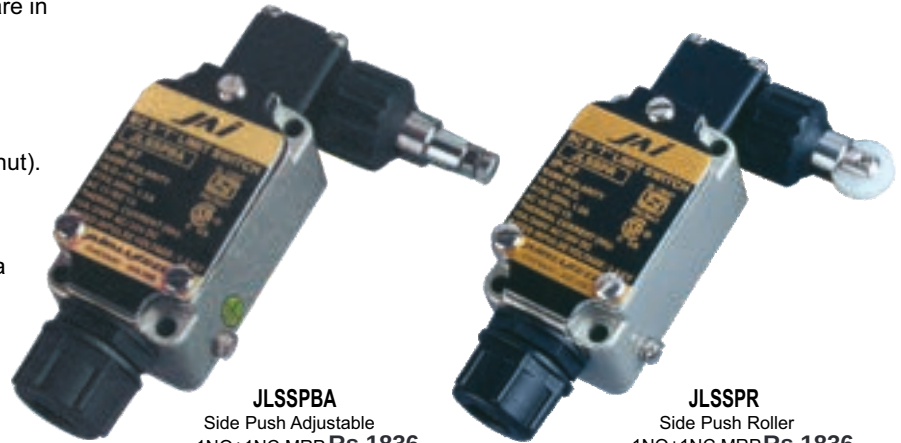
JLSTPBA
Top Push Adjustable
1NO+1NC MRP **Rs.1719**



JAIBALAJI BC 9'T' Side Push Operating Head

Jaibalaji BC 9'T' Side Plunger Limit Switches are in two different designs. One has adjustable push button which can be adjusted upto 8mm. (Adjustment is accomplished by locking the 8mm spanner in the spindle and then by turning the threaded 4mm hex. Head operating plungers and securing it with a lock nut).

The second type has Nylon Roller of 17mm diameter and 4.7mm thickness. In our BC 9'T' Side Plunger Roller type Limit Switch there is a provision to change positioning of the Roller Plunger from horizontal to vertical position and vice versa by unscrewing the plunger cap nut and it is ready to operate as per the choice.



JLSSPBA
Side Push Adjustable
1NO+1NC MRP **Rs.1836**

JLSSPR
Side Push Roller
1NO+1NC MRP **Rs.1836**

JAIBALAJI BC 9'T' Cat Whisker Operating Head

BC 9'T' Cat Whisker Limit Switches are available in two designs with 137mm long operating lever. One type consists of 3.2 dia Nylon Rod fixed with stainless steel tension spring from the bottom. The second type consists of 6.2 dia stainless steel tension spring. Both these types can be operated in any direction from the centre.

JLSNCW
Nylon Rod
1NO+1NC MRP **Rs.1719**

JLSSCW
S S Spring
1NO+1NC MRP **Rs.1746**



JAI BALAJI manufactures a wide range of limit switches tested to rigid quality standards. **JAI BALAJI** BC9'T' series Limit switches comply with IS/IEC 60947/pt-5/sec-1 and carry the unique  mark. **JAI BALAJI** Limit switches are certified by  International Canada and US. They also conform to European standard CE

JAI BALAJI BC 9'T' Series Oil Tight Limit Switches Features

Completely oil & water tight and dust & damp proof.
 Ample wiring space for easy termination.
 Flame retardant thermo-plastic barriers between terminals to prevent short-circuit.
 Serrated terminals to give firm grip to straighten wire.
 Flexibility of replacing complete contact blocks without changing the operating characteristics.
 The S.P.D.T twin-break silver contact provides quick make- and- break action with high contact pressure.
 The brass-forged lever with nylon roller & all stainless steel parts provides high rigidity and corrosion resistance.

JAI BALAJI BC 9'T' Oil Tight Switches Models

BC 9'T' JLS type limit switches are available with a variety of operating heads to meet diverse applications.

JAI BALAJI BC 9'T' Rotary Lever Operating Head

Rotary Lever Operating Heads are available in spring return and maintained type. The rotary shaft can be readily changed to operate clockwise, counter clockwise or both. The operating levers may be rotated and locked in any position through 360 .The operating head can be positioned in any of the four sides. The lever rollers are 19mm diameter and 16mm thickness. The levers are available in fixed and adjustable lengths.

JLSJW
Steel Rod
1NO+1NC MRP Rs.1719

JLSUW
1NO+1NC MRP Rs.1719

JLSL-0
Offset Lever
1NO+1NC MRP Rs.1773

JLSL-1
38mm Lever
1NO+1NC MRP Rs.1719

JLSL-2
76.2mm Lever
1NO+1NC MRP Rs.1719

JLSL-A
Adjustable Lever
1NO+1NC MRP Rs.1719

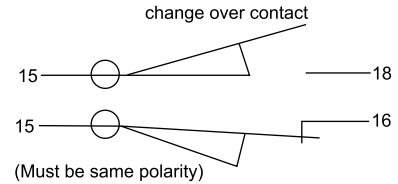
OPERATING CURRENT AND VOLTAGE

AC 15 rating	: 6A at 110 V; 3A at 220V; 1.5A at 400V; 1.2A at 550V
DC 13 rating	: 0.2A at 110V; 0.1A at 220V
Contact combination	: 1 NO + 1 NC SPDT switch change-over contact
Frequency of operation	: 2500 operations per hour
Mechanical life	: 20 X 10 operations
Enclosure Category	: Die cast enclosure to IP-67 as per IS 2147-1962
Terminal Capacity	: 2.5mm ² Solid or stranded

ELECTRICAL & MECHANICAL RATINGS

Utilisation Category	: AC 15 and DC 13 as per IS/IEC 60947 Pt-5/Sec-1
Thermal Current (1th)	: 10A
Insulation Voltage (Ui)	: 600 V AC
ISI Licence No.	: CM/L-2015427

WIRING DIAGRAM



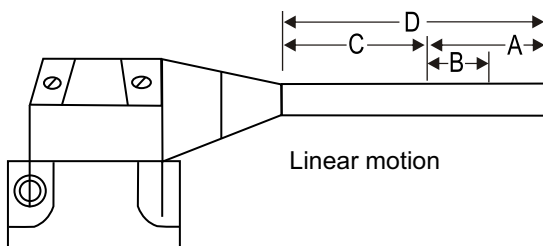
JAIBALAJI BC9'T' Fork Lever Operating Head

Each of the two arms of length 38mm has a roller of 19mm diameter and 16mm thickness either in line or offset. Limit Switches all lever type are available in spring return or maintained type.

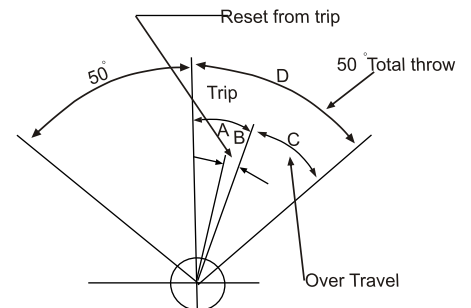


JLSF
Fork type Roller in line
1NO+1NC
MRP. Rs.1935

Diagram for Operating Data



Angular motion

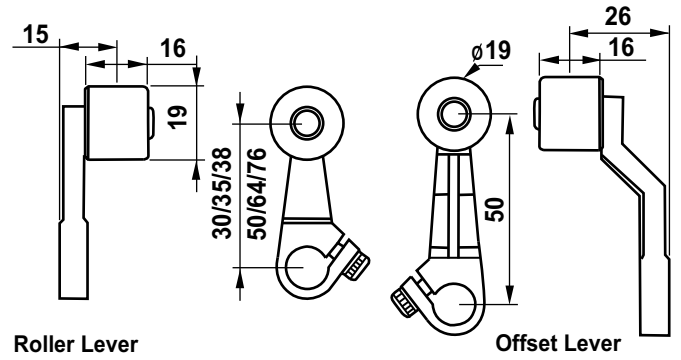
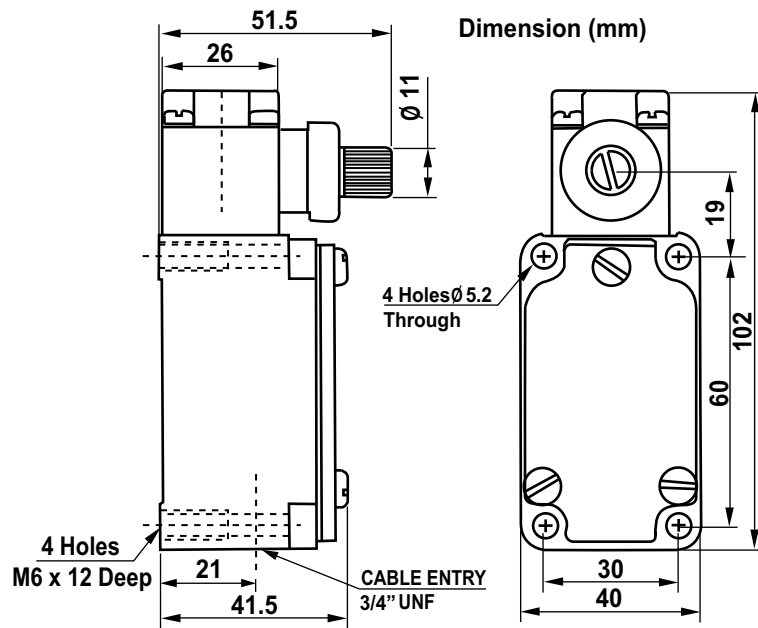


- A Travel to trip
- B Travel to reset from trip point
- C Over travel
- D Total travel

BC-9'T' Types	JLSL 1	JLSL 1M	JLSTPR JLSTPBA JLSTPB	JLSSPR JLSSPBA	JLSNCW JLSSCW JLSCW
	JLSL 2	JLSL 2M			
	JLSL A	JLSL AM			
	JLSJ W	JLSJWM			
	JLSUW	JLSUWM			
	JLSL F	JLSLFM			
	JLSL O	JLSLFOM			
	mm	mm	mm	mm	mm
Travel to trip A	10°	50° +	1.3+	2.0+	20° +
Travel to rest from trip point B	6°	50° +	1.1	1.7	19° +
Over travel C	40°	40° *	5.5	5.1	5° *
Total travel D	50°	90° +	6.8	7.0	25° *
Force to trip (max) Kg	1.0	0.5	2.0	2.0	0.285
Force to be applied at a radius of (mm)	28	38	-	-	25.5

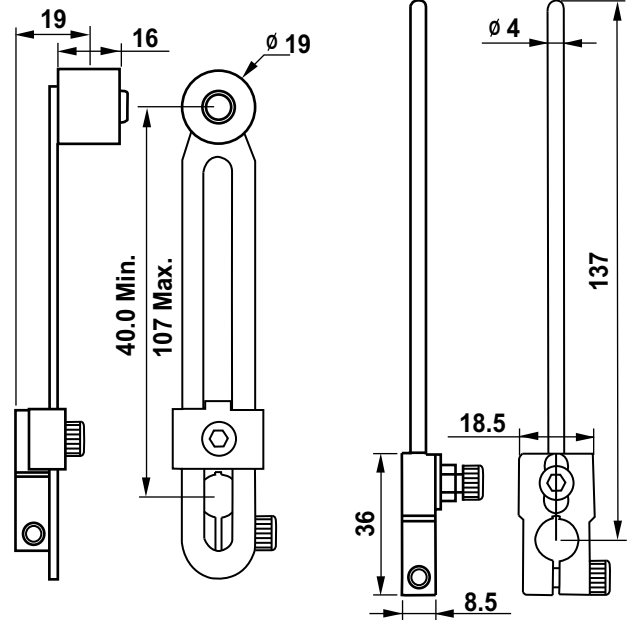
+ Maximum * Minimum

DIMENSIONS (MM)



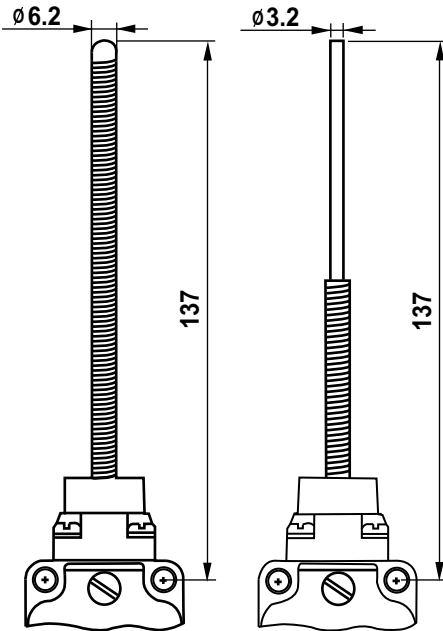
Roller Lever

Offset Lever



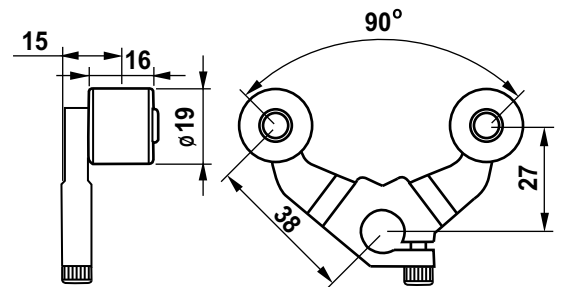
Adjustable Lever

Antenna Type Lever

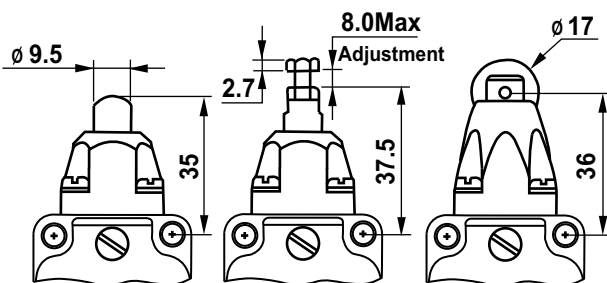


JLSCW

JLSCW (N)



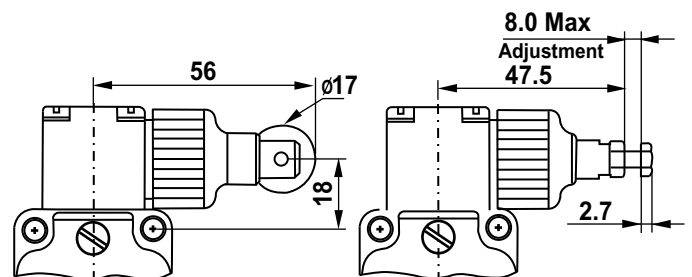
Fork Type Lever



JLSTPB

JLSTPBA

JLSTPR



JLSSPR

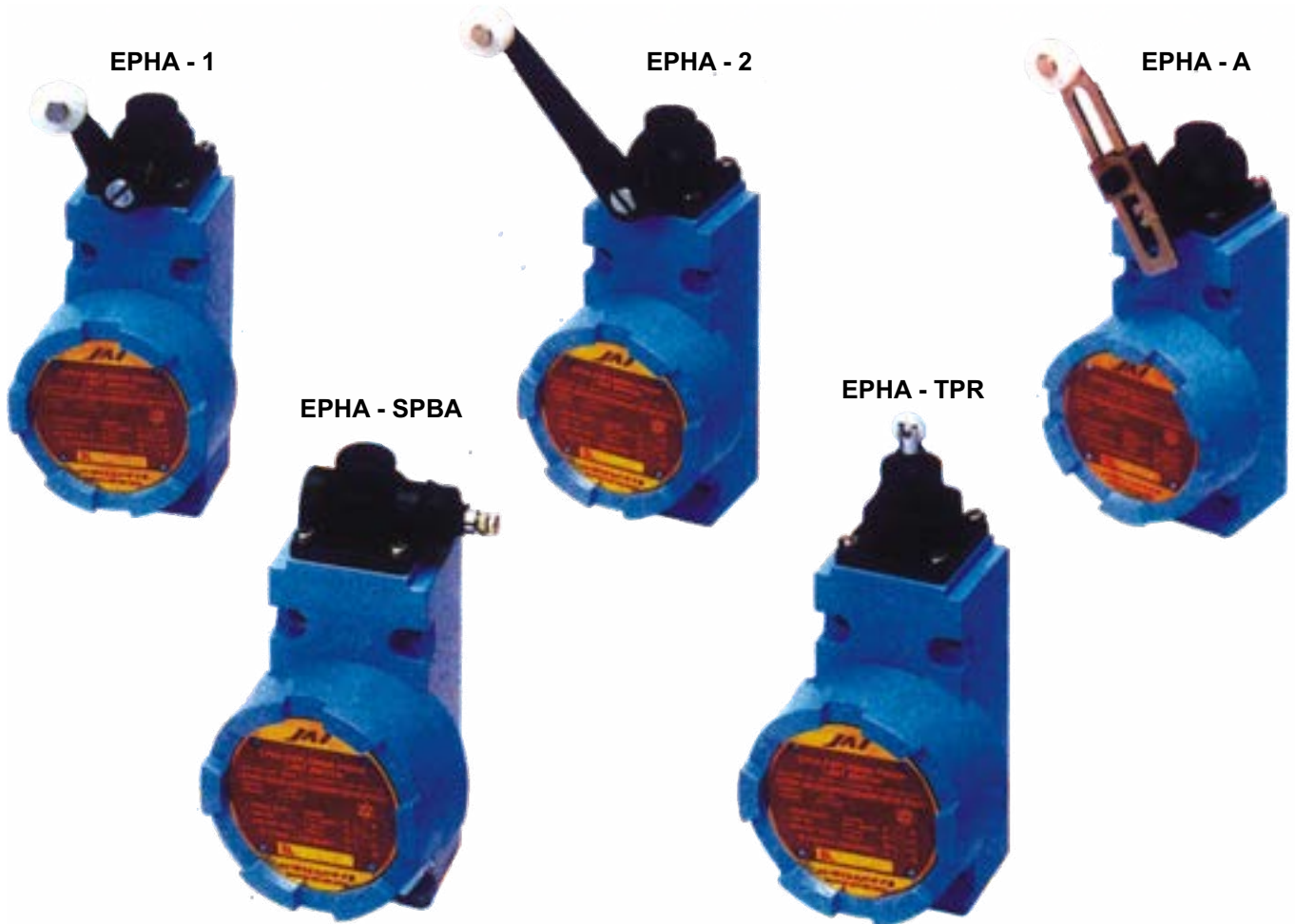
JLSSPBA



Post Box No. 27, 89 (New No. 107), SIDCO Industrial Estate, Ambattur, Chennai -600 098. India
 Phone: +91 44 26251279 / 26257859 / 26254470 Fax: +91 44 26255038.
 E-mail: dchandramohan@jaibalaji.firm.in Web: jaibalaji.in

JAI BALAJI EPHA LIMIT SWITCHES

WITH **CIMFR** APPROVED FLAME PROOF ENCLOSURE AS PER
CATALOGUE CUM PRICE LIST



JAI BALAJI offers the EPHA Limit Switches in a Flame Proof Enclosure suitable for use in hazardous atmosphere. The EPHA Type is available in 1NO + 1NC & 2NO + 2NC output

JAIEPHA Limit Switches are for use either indoor or outdoor in hazardous atmospheres, as they are completely sealed Flameproof device

Mounting holes are provided for front or rear mounting, making the switch interchangeable with other Flameproof Switches.

Various types of heads to suit in any type of cam and application.

Flameproof Enclosure confirms to
IS/IEC : 60079-1
Zone 1 & 2 Group IIA , IIB , & IIC

Test Report No.KLPL / EX / R / 17-001 25.4.2017
CCE No. : A/P / HQ / TN / 104 / 5554 (P407854) For IIA & IIB
CIMFR / TC / P / H 13 Dt:18.4.2016

Test Report No.KLPL / EX R / JCPL-17/002 25.4.2017
CCE No. : A/P / HQ / TN / 104 / 5554 (P407854) For IIC
CIMFR / TC / P / H 16 Dt:19.4.2016

- * Non Sparking Actuators
- * Six Types of Operating Heads
- * Rotatable Operating Heads
- * Operates up to 121° C
- * Ample Wiring Space
- * Multiple Contacts
- * Compact Machine Tool Type
- * Flexibility of Motion

GENERAL INFORMATION

JAIEPHA switches feature the smallest housing available in India for use in hazardous locations. Flame paths within the housing cool exploding gases below the kindling temperature before they reach to explosive gases surrounding the housing.

SEALS

Application proven heavy duty limit switch head seals are retained to seal the top of the JAIEPHA. The circular cover on the front is easily unscrewed to expose the switching elements for wiring or replacement. A screw driver or bar used on the wrenching lugs extending from the front of the cover allows easy removal or tightening. An 'O' ring seal is located between the housing and cover, flame paths are provided by the cover housing threads and an extended plunger between the switch cavity and head.

INTERCHANGEABILITY

JAIEPHA Flameproof limit switches are interchangeable with any standard heavy duty limit switch with a adapter plate. JAIEPHA has a recessed back into which the adapter plate fits and mounts using two screws.

JAIEPHA MODELS

JAIEPHA type limit switches are available with a variety of operating heads to meet diverse applications.

PRICE LIST

DESCRIPTION	TYPE	ORDERING CODE	GROUP IIA & IIB		GROUP IIA,IIB & IIC	
			1NO+1NC	2NO+2NC	1NO+1NC	2NO+2NC
			MRP Rs.	MRP Rs.	MRP Rs.	MRP Rs.
Roller Lever	38 mm length	EPHA - 1*	4689	6039	7335	8208
	76 mm length	EPHA - 2*	4689	6039	7335	8208
	50 mm length	EPHA - 3*	4689	6039	7335	8208
	64 mm length	EPHA - 4*	4689	6039	7335	8208
	50 mm (Offset)	EPHA - O*	4689	6039	7335	8208
Adjustable Roller Lever	47 to 75 mm	EPHA - A*	4689	6039	7335	8208
Antenna Type Lever	134 mm length	EPHA - JW*	4689	6039	7335	8208
Fork Lever	Roller in line	EPHA - F*	4689	6039	7335	8208
	With Offset Roller	EPHA - FO*	4689	6039	7335	8208
Top Push	Roller type	EPHA - TPR	4689	6039	7335	8208
	Button type	EPHA - TPBA	4689	6039	7335	8208
Side Push	Roller type	EPHA - SPR	4689	6039	7335	8208
	Button type	EPHA - SPBA	4689	6039	7335	8208
*Maintained Contact for Lever Type Only (Add M as suffix to code while ordering)			4869	6192	7533	8406

ROTARY LEVER OPERATING HEADS

They are available in spring return and maintained type. The rotary shaft can be readily changed to operate clockwise, counter clockwise or both. The operating levers may be rotated and locked in any position through 360°. The operating head can be positioned in any of the four sides. The lever rollers are 19mm diameter and 8mm width. The levers are available in fixed and adjustable lengths.

FORK LEVER OPERATING HEADS

Each of the two arms of the length 38mm has a roller either inline or offset. Available in spring return or maintained type.

TOP PUSH OPERATING HEADS

They are available in two designs. One has an adjustable push button, the length of which can be adjusted up to 8 mm. (Adjustment is accomplished by turning the threaded hexagon head of operating plunger and securing it with a lock nut). The second type has a roller 11.1 mm dia. The top push roller is easier to apply because the direction of operating and repeat accuracy is less critical.

SIDE PUSH OPERATING HEADS

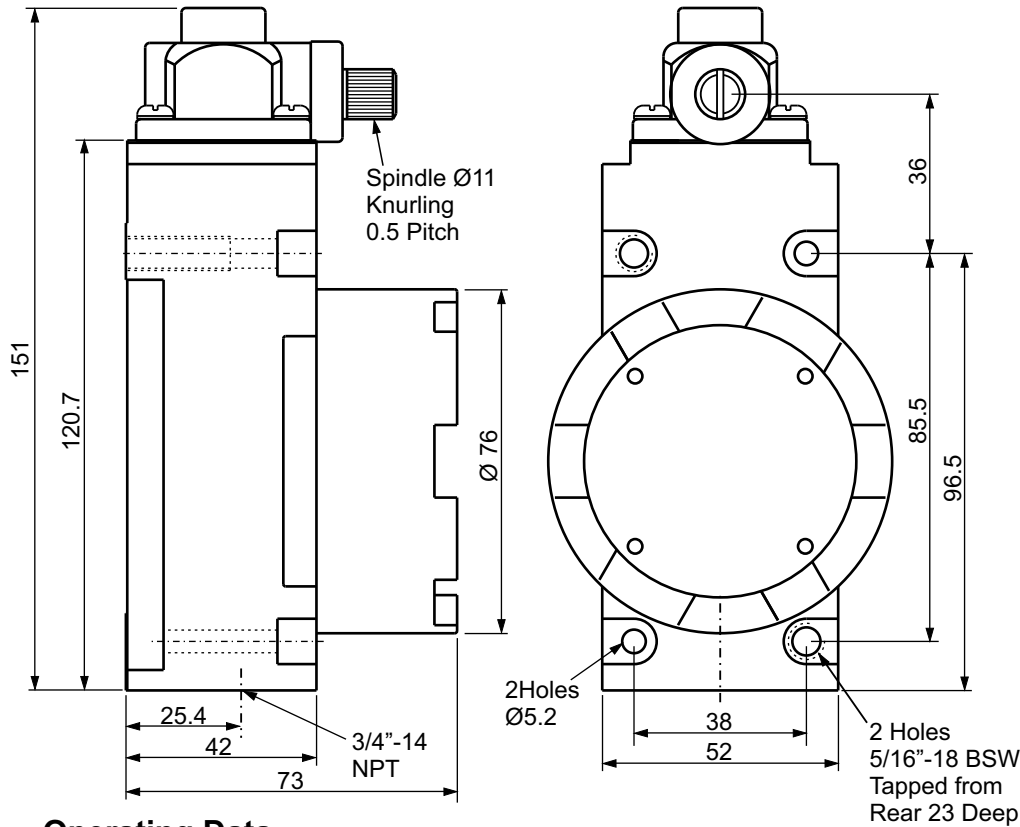
These heads are also available with an adjustable push button alternatively a roller of 11.1 mm dia. These are designed for small space and lower travel application where the actuator travel is perpendicular to the switch.

CABLE ENTRY

Cable entry available either in 1/2" NPT or 3/4" NPT or 1/2"BSPT

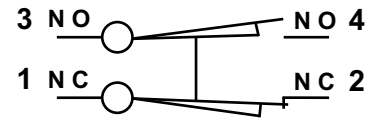
Dimensions (mm)

Lever Type Limit Switch



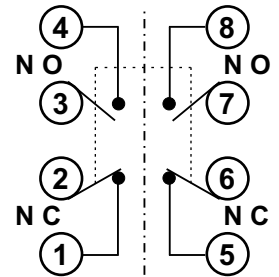
Wiring Diagram

1 NO + 1 NC



Wiring Diagram

2 NO + 2 NC



Operating Data

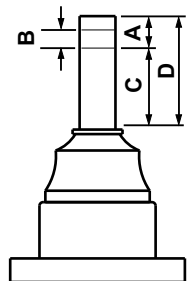
MODELS	EPHA 1 EPHA 2 EPHA 3 EPHA 4 EPHA O EPHA F EPHA FO EPHA A EPHA JW	EPHA 1M EPHA 2M EPHA 3M EPHA 4M EPHA OM EPHA FM EPHA FOM EPHA AM EPHA JWM	EPHA TPR EPHA TPBA (mm)	EPHA SPR EPHA SPBA (mm)
Travel to Trip A	10°	50°+	1.3+	2.0+
Travel to reset from trip point B	6°	50°+	1.1	1.7
Over travel C	60°	40°*	5.7	5.0
Total travel D	70°	90°+	7.0	7.0
Force to trip (max) kg	-	-	2.0	2.0
Operating Torque (max) kgfm	0.046	0.02	-	-

Characteristics

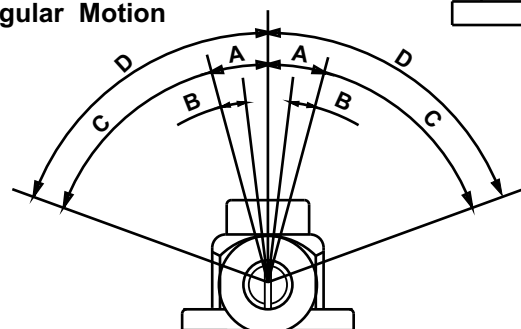
+ Maximum * Minimum

- Contact Material : Silver
- Electrical Data (Maximum available) : 10A - 120, 240, 480 or 600 V AC
- Performance : As per IS/IEC 60079 -1
- Temperature Range : -12° C to 121° C
- Sealing : IS: 12063 -1987
- Housing Material : Aluminium
- Frequency of Operation : 2500 operations per hour
- Mechanical Life : 10 X 10⁶ operations
- Terminal capacity : 1.5 Sq. mm
- Weight : 700 gms approx.

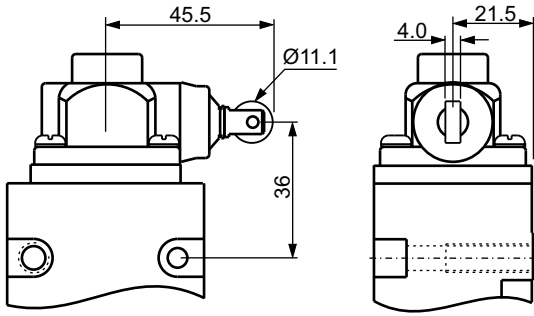
Linear Motion



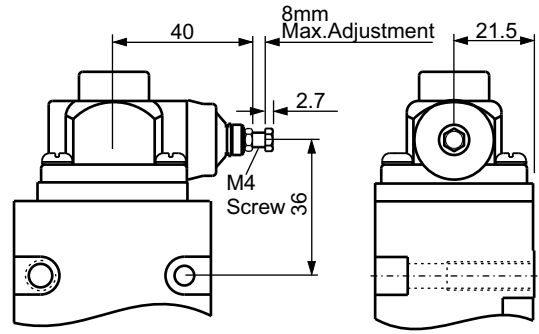
Angular Motion



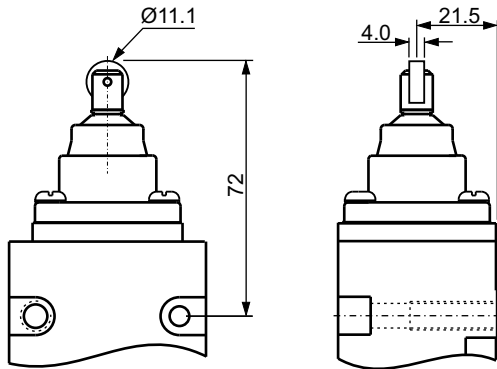
Side Push Roller



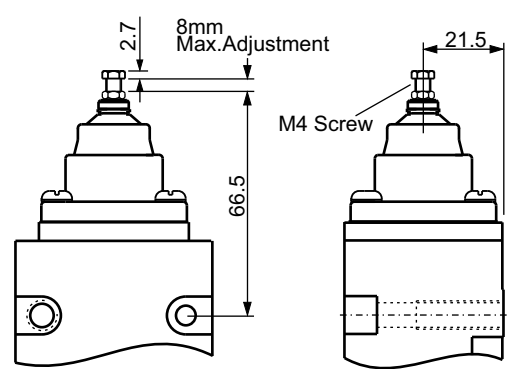
Side Push Button Adjustable



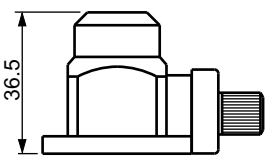
Top Push Roller



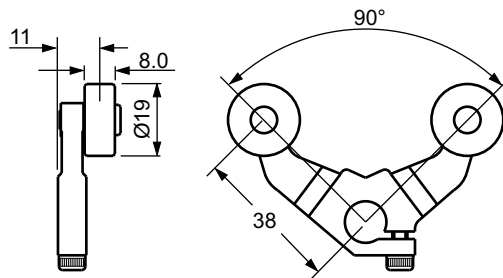
Top Push Button Adjustable



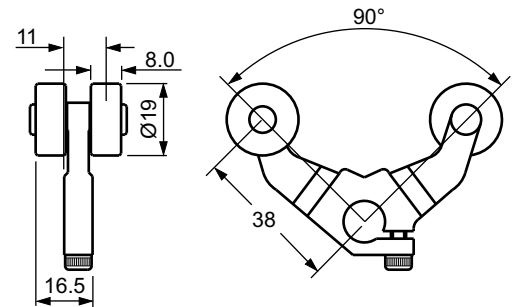
Head for Maintained Contact



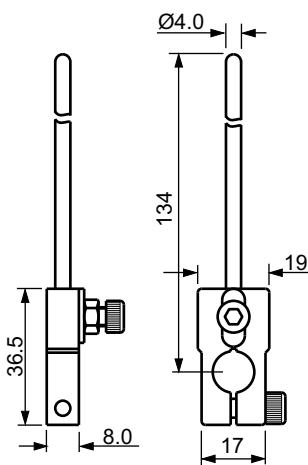
Fork Type Inline Rollers



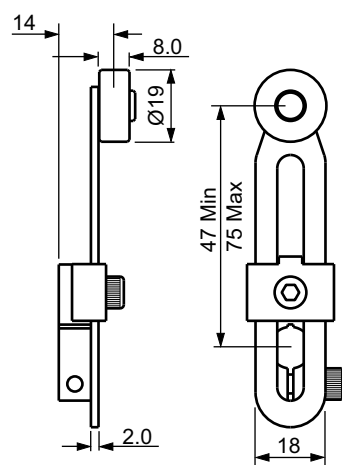
Fork Type Offset Rollers



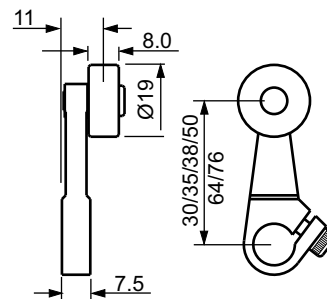
Antenna Type Lever



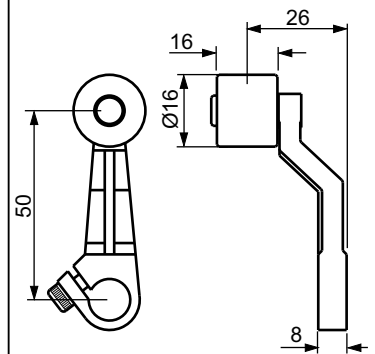
Adjustable Lever



Roller Lever



Offset Lever



Manufactured by:

JAIBALAJI
CONTROL GEARS PVT. LTD

Post Box No. 27, 89 (New No. 107), SIDCO Industrial Estate, Ambattur, Chennai -600 098. India
Phone: +91 44 26251279 / 26257859 / 26254470 Fax: +91 44 26255038.
E-mail: dchandramohan@jaibalaji.firm.in Web: jaibalaji.in

JAIBALAJI

LIMIT SWITCHES WITH   MARKS

CATALOGUE CUM PRICE LIST



JC - 1125 HEAVY DUTY LIMIT SWITCHES

CONFORMS TO IS/IEC:60947 Pt.5 Sec 1

- **TWENTY-FIVE CIRCUIT OPTIONS**
- **25 A 600 V A.C. OR D.C.**
- **70° OVERTRAVEL IN BOTH DIRECTIONS**
- **IP 67 PROTECTION**
- **OPERATES UP TO 107° C**
- **IDEAL FOR APPLICATION REQUIRING EXTRA HEAVY INDUSTRIAL DUTY CONTACT RATINGS**
- **HIGHER OPERATING AND RESET FORCES**
- **RUGGED MECHANICAL CONSTRUCTION**
- **WILL WITHSTAND HOT FALLING SAND UPTO 300° F**
- **FOR ROUGH FOUNDRY APPLICATIONS AND HEAVY MACHINE TOOL, CONVEYOR, MILLS, FOUNDRIES, HEAVY BOILERS.**
- **ACTUATION MODE CONVERSION FACILITY FOR LEFT-HEND, RIGHT-HAND OR MAINTAINED CONTACT ACTION. PLUS A COMPREHENSIVE SELECTION OF OPERATING LEVERS.**

Model JC-1125 Heavy Industrial duty Limit switch **providing twenty five switching arrangements** from eleven standard types. Actuation mode conversion facility for left-hand, right-hand or maintained contact action. **Rating up to 25A lth 600V AC or DC** plus a comprehensive selection of operating levers.

Eleven standard switch types can be converted on site to provide for a total of twentyfive contact or circuit arrangements (as shown below).

Ordering reference model	contact arrangement (arrow indicated direction of lever movement)	Standard model conversion required	Operating data (refer to table, above)	Switch description (viewed from the front of switch).	MRP Rs
JC - 1125 BMK 9	(A)	As supplied	Data A	Snap action, Spring return Contacts: 1 n.c., 1 n.o. CW operation to 1 n.o. 1 n.c.	5256
	(B)	Revers return spring	Data A	Snap action, Spring return Contacts: 1 n.o., 1 n.c. CCW operation to 1 n.c. 1 n.o.	5256
	(C)	Remove return spring	Data A and Note 2 above	Stay-put action Contacts: CCW position 1 n.c. 1 n.o. or CW operation to 1 n.o. 1 n.c.	5256
JC - 1125 BMK 18	(A)	As supplied	Data A	Snap action, Spring return Contacts: 2 n.o. CW operation to 2 n.c.	5517
	(B)	Revers return spring	Data A	Snap action, Spring return Contacts: 2 n.c. CCW operation to 2 n.o.	5517
	(C)	Remove return spring	Data A and Note 2 above	Stay-put action Contacts: CCW position 2 n.o. or CW operation to 2 n.c.	5517
JC 1125 BMK 27	(A)	As supplied	Data A	Snap action, Spring return Contacts 2 n.o. CCW operation to 2 n.c.	5715
	(B)	Revers return spring	Data A	Snap action, Spring return Contacts 2 n.c. CW operation to 2 n.o.	5715
	(C)	Remove return spring	Data A and Note 2 above	Stay-put action Contacts: CCW position 2 n.c. or CW position 2 n.o.	5715
JC - 1125 BMK 36	(A)	As supplied	Data A	Snap action, Spring return Contacts 1 n.c. and 2 n.o. CW operation to 1 n.o., 2 n.c.	5625
	(B)	Revers return spring	Data A	Snap action, Spring return Contacts 2 n.c. and 1 n.o. CCW operation to 2 n.o., 1 n.c.	5625
	(C)	Remove return spring	Data A and Note 2 above	Stay-put action Contacts: CCW position 1 n.c. 2 n.o. CW operation to 1 n.o. 2 n.c.	5625
JC 1125 BMK 45	(A)	As supplied	Data A	Snap action, Spring return Contacts 2 n.o. and 1 n.c. CW operation to 2 n.c., 1 n.o.	5715
	(B)	Revers return spring	Data A	Snap action, Spring return Contacts 2 n.c. and 1 n.o. CCW operation to 2 n.o., 1 n.c.	5715
	(C)	Remove return spring	Data A and Note 2 above	Stay-put action Contacts: CCW position 2 n.c. 1 n.o. or CW position to 2 n.o., 1 n.c.	5715
JC 1125 BMK 54	(A)	As supplied	Data B and Note 2 above	Slow-make and break spring return Contacts : 2 n.o. CW operation to 1 n.o. 1 n.c. or CCW operation to 1 n.c., 1 n.c.	5517
	(B)	Add two jumper wires	Data B and Note 2 above	Slow-make and break spring return Contacts: 1 n.o. CW or CCW operation to 1 n.c.	5517
JC 1125 BMK 63	(A)	As supplied	Data B and Note 2 above	Slow-make and break spring return Contacts : 2 n.c. CW operation to 1 n.o. 1 n.c. or CCW operation to 1 n.c., n.o.	5517
	(B)	Add two jumper wires	Data B and Note 2 above	Slow-make and break spring return Contacts: 1 n.c. CW or CCW operation to 1 n.o.	5517
JC 1125 BMK 72	(A)	As supplied	Data C and Note 2 above	Snap-action spring return Contacts : 2 n.o. CW operation to 1 n.o. 1 n.c. or CCW operation to 1 n.c., 1 n.o.	5715
	(B)	Add two jumper wires	Data C and Note 2 above	Snap-action, spring return Contacts: 1 n.o. CW or CCW 1 n.c.	5715
JC 1125 BMK 81	(A)	As supplied	Data C and Note 2 above	Stay-put action Contacts : 2 n.o. CW operation to 1 n.o. 1 n.c. or CCW operation to 1 n.c., 1 n.o.	5715
	(B)	Add two jumper wires	Data C and Note 2 above	Stay-put action Contacts: 1 n.o. CW or CCW operation to 1 n.c.	5715
JC 1125 BMK 90	(A)	As supplied	Data B and Note 2 above	Slow-make and break, spring return Contact : 2 n.o. 1 n.c. CW operation to 1 n.o. 2 n.c. or CCW operation to 1 n.c., 2 n.o.	5715
JC 1125 BMK 99	(A)	As supplied	Data B and Note 2 above	Slow-make and break, spring return Contact : 1 n.c., 2 n.o. CW operation to 2 n.o. 1 n.c. or CCW operation to 2 n.c., 1 n.o.	5715

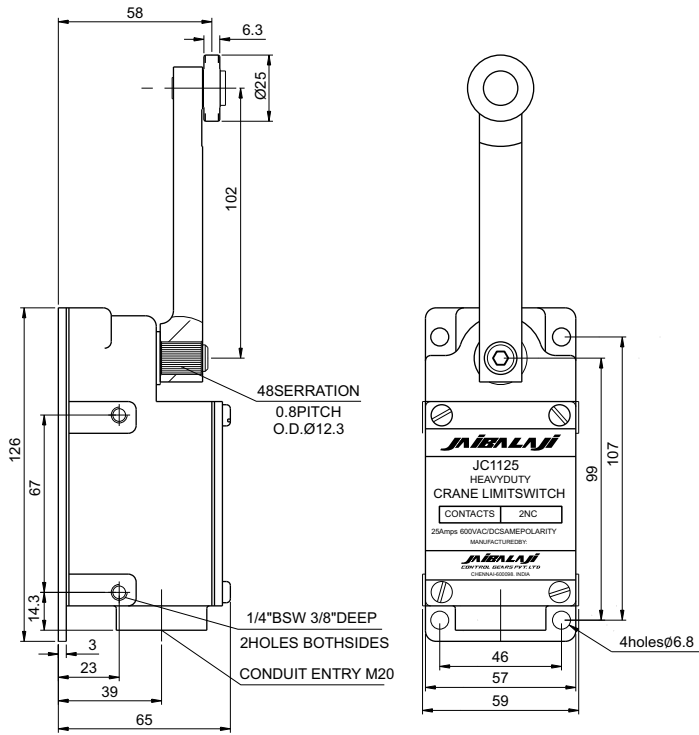
How to order your limit switch

When ordering, quote the following :
Switch order reference. Lever reference.
Back mounting plate style number.

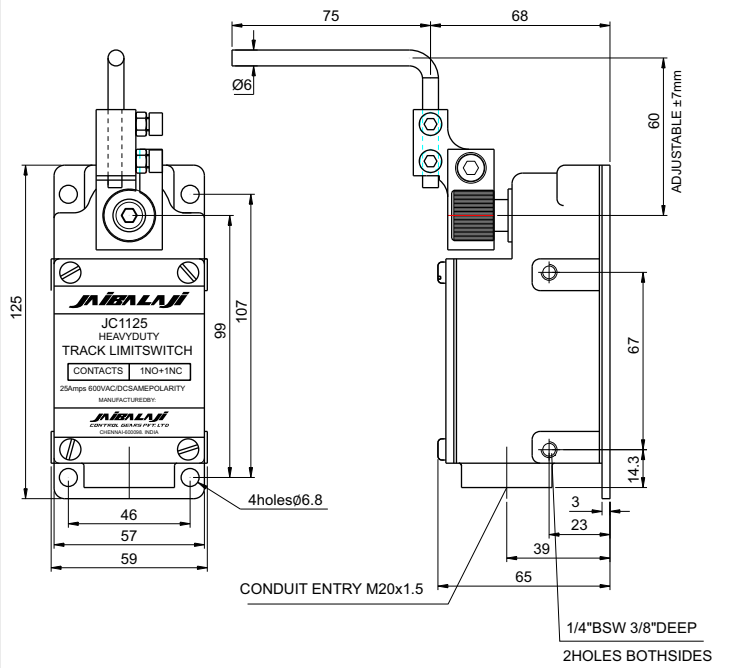
The Above Rates are with
Style 'A' Operating lever

(Other than Style 'A' Operating Lever,
lever cost will be extra)

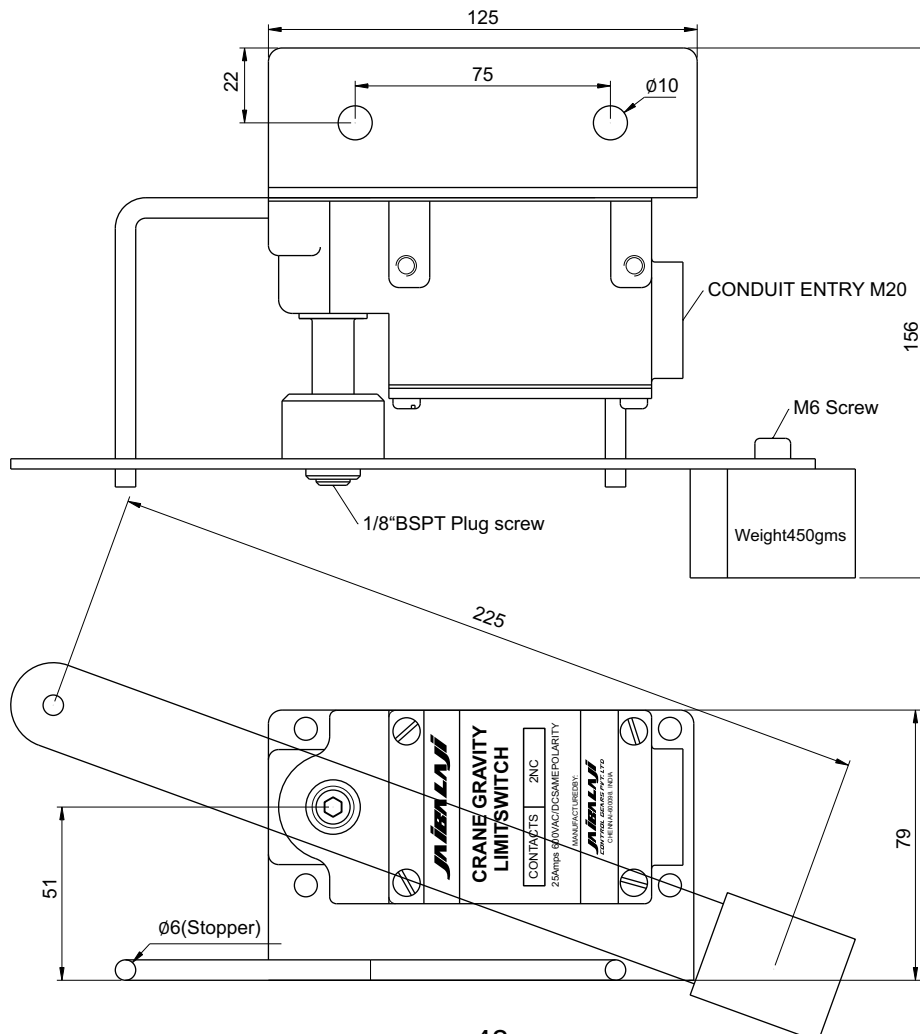
CRANE LIMIT SWITCH



TRACK LIMIT SWITCH



GRAVITY CRANE LIMIT SWITCH



Operating levers

Lever	Length (mm)	MRP Rs.
Style A		
AA	38	1260
AAI (2.5,4 mm roller)	38	1215
AB	76	1377
AC	32	1098
AD	45	1260
AH	51	1296
AL	89	1422
AM	102	1458
AO	64	1350



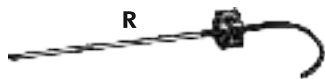
Style F		
FG	64	1908
F1	76	2043



Style LA		
LAA 1	38	1917
LAH 1	51	2043
LAO 1	64	2169



Style R		
R (hub)		1971
R9 (rod)		1971



Style V		
VA		2169



Adjustable Lever
(Adj from 50mm to 160mm) MRP Rs. 2367

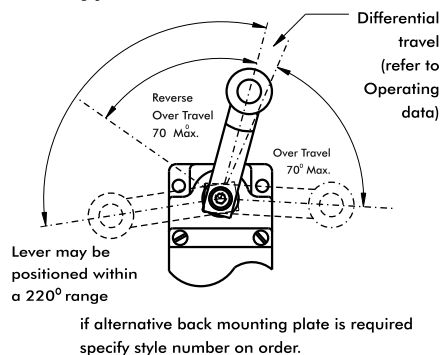
Antenna Lever MRP Rs. 2385

Beltsway Lever MRP Rs. 2412

Knife type Lever MRP Rs. 2448

Fork type Lever MRP Rs. 2511

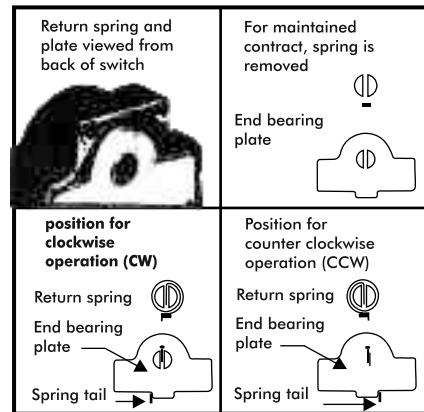
"L" type Lever MRP Rs. 2511



Actuation mode conversion

Conversion is accomplished by reversal of lever return spring located below the back cover and shaft end bearing plate.

For maintained contact the spring is removed always replace bearing plate.



General data

Contact material	silver
Mechanical life	10X10 ⁶
Terminal type	Screw clamp
Cable capacity (mm ²)	1X2.5 mm ²
Ambient temperature range	0°C To 107°C
Minimum storage temperature	-35°C
Maximum relative humidity	90% RH

Contact ratings

Make and break

Voltage (V)	Break (A)				make (A) Inductive
	a.c.	d.c.	a.c.	d.c.	
115	6	2	30	5	60
250	3	1	15	2	30
440	1.5	0.48	7.5	1	15
600	1.2	0.4	6	0.8	12

Continuous : 25 A 600V a/c. / d.c. (two circuit switches)

Note : Three circuit Switches rated to 300 V

Operating data

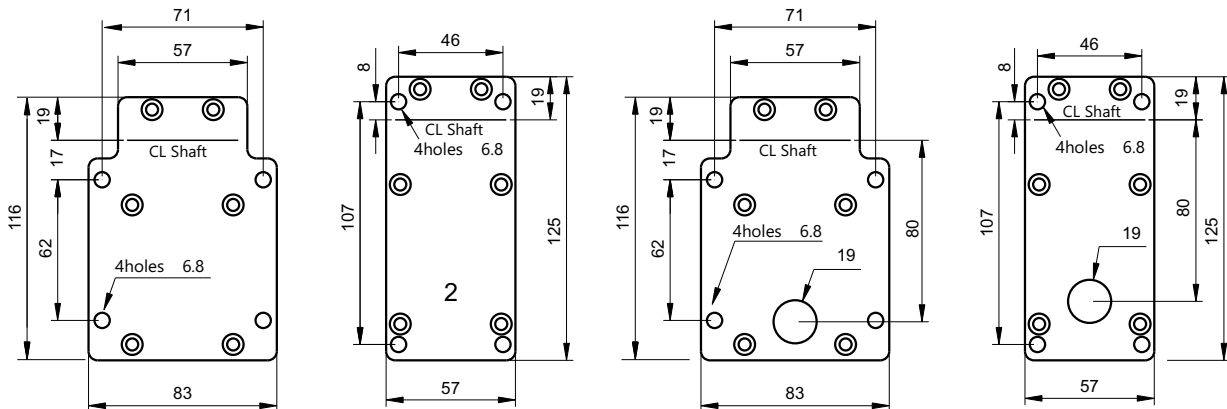
Contact arrangement	A	B	C
Differential travel (deg)	11±2	4max	4max
Total travel both directions (deg)	75	75	75
Recommended operational travel (deg)	20-35	10-25	10-25
Repetitive accuracy each switch (deg)	±0.03	-	±0.03
Actuating torque maximum (kgf m)	0.108	0.068	0.094
With maintained contact (kgf m)	0.032	-	0.032

Note 1 : All order references are for switches with metric threads.

Note 2 : Lever must not be allowed to snap back freely any over-travelled position with this contact arrangement.

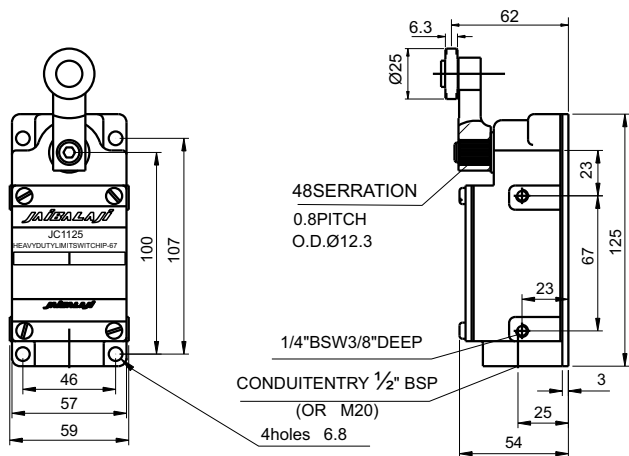
APPROXIMATE DIMENSIONS NOT FOR CONSTRUCTION (DIMENSIONS IN M.M.)

Back mounting plates



Switch

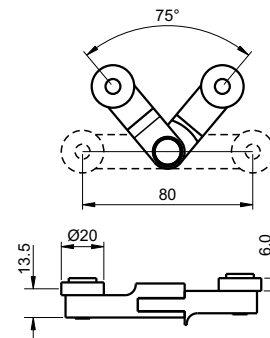
Switch shown fitted with standard style 2 mounting plate



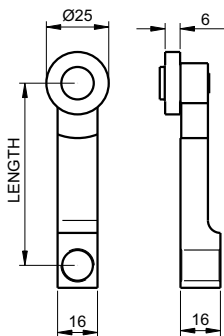
Levers

STYLE V

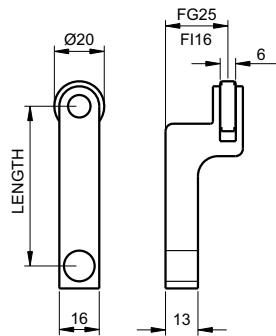
Adjustable from 75° to 180° in increments of 7 1/2°



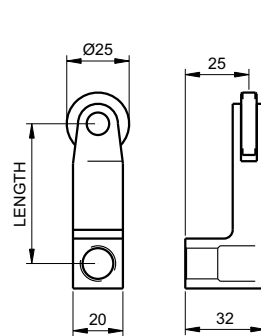
STYLE A



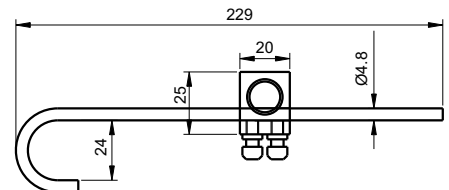
STYLE F



STYLE LA



STYLE R



MANUFACTURED BY :

JAIBALAJI
CONTROL GEARS PVT. LTD

POST BOX NO. 27

89, (NEW NO:107), SIDCO INDUSTRIAL ESTATE
AMBATTUR, CHENNAI - 600 098.

PHONE : 26251279, 26257859, 26254469

FAX : 044-26255038.

E-MAIL : dchandramohan@jaibalaji.firm.in



JAI BALAJI

JB 2700

HEAVY DUTY LIMIT SWITCHES

CATALOGUE CUM PRICE LIST

With 2NO+2NC Contacts with Style 'A' Operating lever

M.R.P. Rs.10098

(Other than Style A Operating Lever cost will be extra)

- MULTIPLE CONTACTS - DPDT (2 NO-2 NC),.
- GENEROUS OVERTRAVEL
- HEAVY DUTY CAM OPERATED
- FLEXIBILITY OF MOTION, CW AND CCW
- AMPLE WIRING SPACE

Description

WIDE RANGE OF OPERATION... MODULAR CONSTRUCTION... PRACTICAL FLEXIBILITY

In every aspect these Limit Switches are the "ultimate" of the industry. The scope of Models are tailored to meet today's rugged requirements... there is a model of size and type of meet virtually all demands.

Besides covering all functional requirements this line is designed to meet practically every condition of installation. These Switches provide reliable "machine-life" service and have the stamina to operate under the unusual conditions... at the same time giving millions of consistently fast, accurate contacts.

Here are a few of the outstanding feature built into the switch for maximum performance.

- Generous overtravel and by-pass. Flexibility of motion, clockwise and counter-clockwise.
- Simplicity and interchangeability of cams.
- Light operating torque.
- Fast contact action.

51 • Form Z contact arrangement

MANUFACTURED BY :

JAI BALAJI
CONTROL GEARS PVT. LTD

POST BOX NO. 27
89, (NEW NO:107), SIDCO INDUSTRIAL ESTATE
AMBATTUR, CHENNAI - 600 098.
PHONE : 26251279, 26257859, 26254469
FAX : 044-26255038.
E-MAIL : dchandramohan@jaibalaji.firm.in

Maintained Switches
M CAM - MAINTAINED CONTACTS & LEVER POSITION

SPECIFICATIONS :

1. Enclosure is water, oil and dust tight.
2. Enclosure meets as per IP-67
3. Contacts made of silver alloy. Contact shifting mechanism is locked in position by the latches until switch lever is actuated.
4. Standard Temperature Range : 20°C to + 110°C
5. Operating lever is adjustable to any required position.
6. Operating lever Angles (travel either clockwise or counter-clockwise) maximum degrees of trip travel, reset travel, as well as total lever travel, are determined by the cam selected.
7. Operating Torques - Trip Torque varies from 6.804 (to) 14.968 KLS depending on switch size and cam selected.

Voltage		For Neutral Position Only	
125V-A.C.	20.0 Amps*	10.0 Amps*	
250V-A.C.	15.0 Amps*	7.5 Amps*	
480V-A.C.	10.0Amps*	5.0 Amps*	
600V-A.C.	5.0 Amps*	2.5 Amps*	
125V-D.C.	5.0 Amps*	2.5 Amps*	
250V-D.C.	1.5 Amps*	.75 Amps*	

* 75-100% Power Factor.

Operational Data

POSITION 1
CCW

Initial Position

POSITION 2
CW

Initial Position

Position	1 (CCW)	2 (CW)
A Trip Travel	25°	55°
B Reset Travel	25°	22°
C Min Travel to Maintain	54°	55°
D Recommended Travel	60°	60°
E Total Travel	124°	116°
F Overall Travel	56°	64°

Torque (Kilos)

M CAM	2 N.O.	2 N.C.
2 N.O. CW	2.721	
2 N.C. CCW		5.443

To change Switch Operation from Cam Position 1 to Position 2. Operate Switch thru' Angle C. Remove Lever and Reset at Initial Position.

Standard Switches

CW OPERATION ONLY (Combination B-1/B-2 Cam)

Contacts transfer when lever is operated CW. Lever can be operated CCW but contacts will not transfer

Contacts	Circuits	Mounting			Operational Data
		Standard	"W"	"L"	
2N.O. 2N.C.		JB2700-1512	JB2700-2124	JB2700-5121	<p>A Trip Travel 18° B Reset Travel 14° C Recommended Travel 30° D Total Travel Available 90° Torque (Kilos) 2N.O. - 2N.C. 12.246</p>

CCW OPERATION ONLY (Combination B-1/B-2 Cam)

Contacts transfer when lever is operated CCW. Lever can be operated CW but contacts will not transfer

2N.O. 2N.C.		JB2700-1044	JB2700-4500	JB2700-5400	<p>A Trip Travel 18° B Reset Travel 14° C Recommended Travel 30° D Total Travel Available 90° Torque (Kilos) 2N.O. - 2N.C. 12.246</p>
----------------	--	-------------	-------------	-------------	--

CW & CCW OPERATION (Combination B-1/B-2 Cam)

Contacts transfer when lever is operated CW or CCW.

2N.O. 2N.C.		JB2700-2502	JB2700-4050	JB2700-5040	<p>A Trip Travel 18° B Reset Travel 14° C Recommended Travel 30° D Total Travel Available 90° Torque (Kilos) 2N.O. - 2N.C. 12.246</p>
----------------	--	-------------	-------------	-------------	--

Maintained Switches

M CAM - MAINTAINED CONTACTS & LEVER POSITION

Lever and contacts are maintained in tripped position. When lever is moved CCW the N.C. contacts open and the N.O. contacts close. Starting at this position rotating the lever CW the N.O. contacts open and the N.C. close.

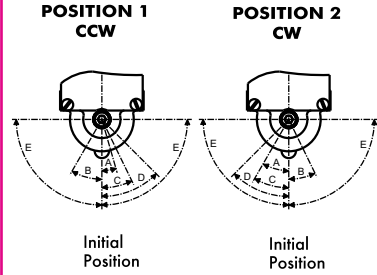
Contacts	Circuits		Mounting		
	Position 1	Position 2	Standard	"W"	"L"
2N.O. 2N.C.	CW INITIAL CCW 	CW INITIAL CCW 	JB2700-1125	JB2700-2115	JB2700-5112

M7 CAM - MAINTAINED CONTACTS - LEVER RETURNED

Contacts are maintained in tripped position, torsion spring will return lever to initial position when released. When lever is moved CCW the N.C. contacts open and the N.O. contacts close. The lever must then be returned to the initial position and be operated in the CW direction to reset the contacts.

Contacts	Circuits		Standard	"W"	"L"
	CW INITIAL	CCW			
2N.O. 2N.C.			JB2700-1125	JB2700-2115	JB2700-5112

Operational Data



Position	1 (CCW)	2 (CW)
A Trip Travel	16°	30°
B Reset Travel	30°	26°
C Min Travel to Maintain	26°	30°
D Recommended Travel	45°	45°
E Total Travel	90°	90°
Torque		(Kilos)
M CAM		
2 N.O.	CW	6.804
2 N.C.	CCW	7.938

To change Switch Operation from Cam Position 1 to Position 2. Operate Switch thru' Angle C. Remove Lever and Reset at Initial Position.

Neutral Position Switches

N CAM - NEUTRAL POSITION - ALL CONTACTS OPEN

As lever is moved CW upper contacts close. As lever is spring returned to starting position upper contacts open. As lever is moved CCW from starting position lower contacts close. As lever is spring returned to starting position lower contacts open.

Contacts	Circuits	Mounting			Operational Data																											
		Standard	"W"	"L"																												
4N.O.	CW INITIAL CCW 	JB2700-1008	JB2700-2007	JB2700-4104	<table border="1"> <thead> <tr> <th>Direction of Rotation</th> <th>CW</th> <th>CCW</th> </tr> </thead> <tbody> <tr> <td>A Trip Travel</td> <td>11°</td> <td>35°</td> </tr> <tr> <td>B Reset Travel</td> <td>9°</td> <td>13°</td> </tr> <tr> <td>C Recommended Travel</td> <td>45°</td> <td>45°</td> </tr> <tr> <td>D Total Travel</td> <td>90°</td> <td>90°</td> </tr> <tr> <td>Torque</td> <td></td> <td>(Kilos)</td> </tr> <tr> <td>N CAM</td> <td></td> <td></td> </tr> <tr> <td>4N.O.</td> <td>CW</td> <td>6.123</td> </tr> <tr> <td>4N.O.</td> <td>CCW</td> <td>8.944</td> </tr> </tbody> </table>	Direction of Rotation	CW	CCW	A Trip Travel	11°	35°	B Reset Travel	9°	13°	C Recommended Travel	45°	45°	D Total Travel	90°	90°	Torque		(Kilos)	N CAM			4N.O.	CW	6.123	4N.O.	CCW	8.944
Direction of Rotation	CW	CCW																														
A Trip Travel	11°	35°																														
B Reset Travel	9°	13°																														
C Recommended Travel	45°	45°																														
D Total Travel	90°	90°																														
Torque		(Kilos)																														
N CAM																																
4N.O.	CW	6.123																														
4N.O.	CCW	8.944																														
<p>N CAM - NEUTRAL POSITION - ALL CONTACTS CLOSED</p> <p>As lever is moved CW lower contacts open. As lever is spring returned to starting position lower contacts close. As lever is moved CCW from starting position upper contacts open. As lever is spring returned to starting position upper contacts close.</p>																																

N1 - NEUTRAL POSITION - ALL CONTACTS OPEN

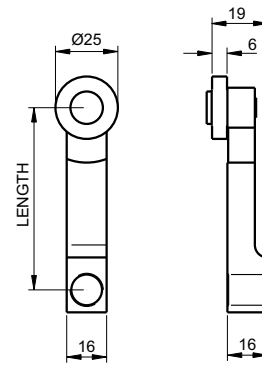
As lever is moved CW lower contacts close. As lever is spring returned to starting position lower contacts open. As lever is moved CCW from starting position upper contacts close. As lever is spring returned to starting position upper contacts open.

Contacts	Circuits	Standard	"W"	"L"	Operational Data																																				
4N.C.	CW INITIAL CCW 	JB2700-2205	JB2700-4005	JB2700-5004	<table border="1"> <thead> <tr> <th>Direction of Rotation</th> <th>CW</th> <th>CCW</th> </tr> </thead> <tbody> <tr> <td>A Trip Travel</td> <td>31°</td> <td>31°</td> </tr> <tr> <td>B Reset Travel</td> <td>22°</td> <td>12°</td> </tr> <tr> <td>C Recommended Travel</td> <td>45°</td> <td>45°</td> </tr> <tr> <td>D Total Travel</td> <td>90°</td> <td>90°</td> </tr> <tr> <td>Torque</td> <td></td> <td>(Kilos)</td> </tr> <tr> <td>N1 CAM</td> <td></td> <td></td> </tr> <tr> <td>4N.O.</td> <td>CW</td> <td>7.938</td> </tr> <tr> <td>4N.O.</td> <td>CCW</td> <td>9.298</td> </tr> <tr> <td>N1 CAM</td> <td></td> <td></td> </tr> <tr> <td>4N.C.</td> <td>CW</td> <td>7.938</td> </tr> <tr> <td>4N.C.</td> <td>CCW</td> <td>9.298</td> </tr> </tbody> </table>	Direction of Rotation	CW	CCW	A Trip Travel	31°	31°	B Reset Travel	22°	12°	C Recommended Travel	45°	45°	D Total Travel	90°	90°	Torque		(Kilos)	N1 CAM			4N.O.	CW	7.938	4N.O.	CCW	9.298	N1 CAM			4N.C.	CW	7.938	4N.C.	CCW	9.298
Direction of Rotation	CW	CCW																																							
A Trip Travel	31°	31°																																							
B Reset Travel	22°	12°																																							
C Recommended Travel	45°	45°																																							
D Total Travel	90°	90°																																							
Torque		(Kilos)																																							
N1 CAM																																									
4N.O.	CW	7.938																																							
4N.O.	CCW	9.298																																							
N1 CAM																																									
4N.C.	CW	7.938																																							
4N.C.	CCW	9.298																																							
<p>N1 CAM - NEUTRAL POSITION - ALL CONTACTS CLOSED</p> <p>As lever is moved CW upper contacts open. As lever is spring returned to starting position upper contacts close. As lever is moved CCW from starting position lower contacts open. As lever is spring returned to starting position lower contacts close.</p>																																									
4N.C.	CW INITIAL CCW 	JB2700-3600	JB2700-4221	JB2700-5022																																					

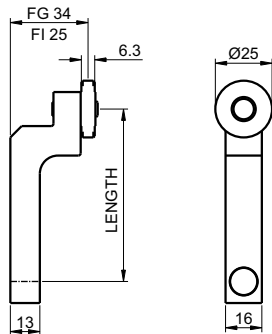
Operating levers

Lever	Length (mm)	MRP Rs.
Style A (Steel roller)		
AA	38	1260
AA (25,4 mm roller)	38	1215
AB	76	1377
AC	32	1098
AD	45	1260
AH	51	1296
AL	89	1422
AM	102	1458
AO	64	1350

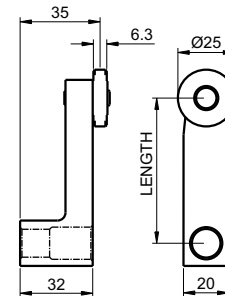
STYLE A



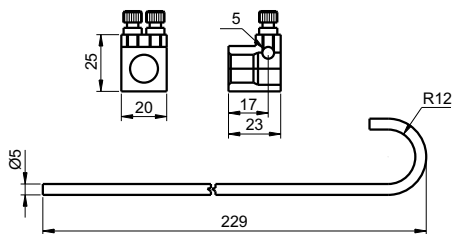
Style F (Steel roller)	MRP Rs.
FG	64 1908
FI	76 2043



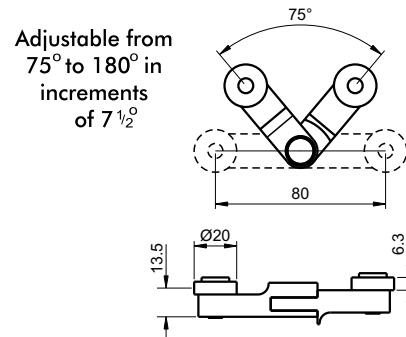
Style LA	MRP Rs.
LAA1	38 1917
LAH 1	51 2043
LAO 1	64 2169



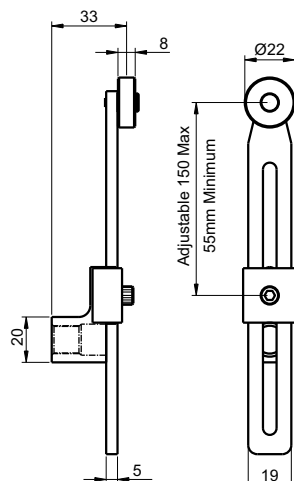
Style R	MRP Rs.
R (hub)	1719
R9 (rod)	1719



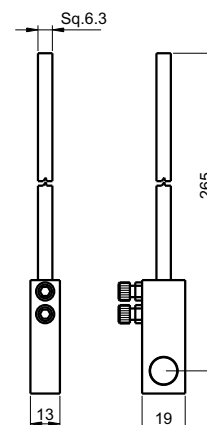
Style V	MRP Rs.
VA	38 2169



Adjustable lever MRP Rs. 2367



Antenna type lever MRP Rs. 2385



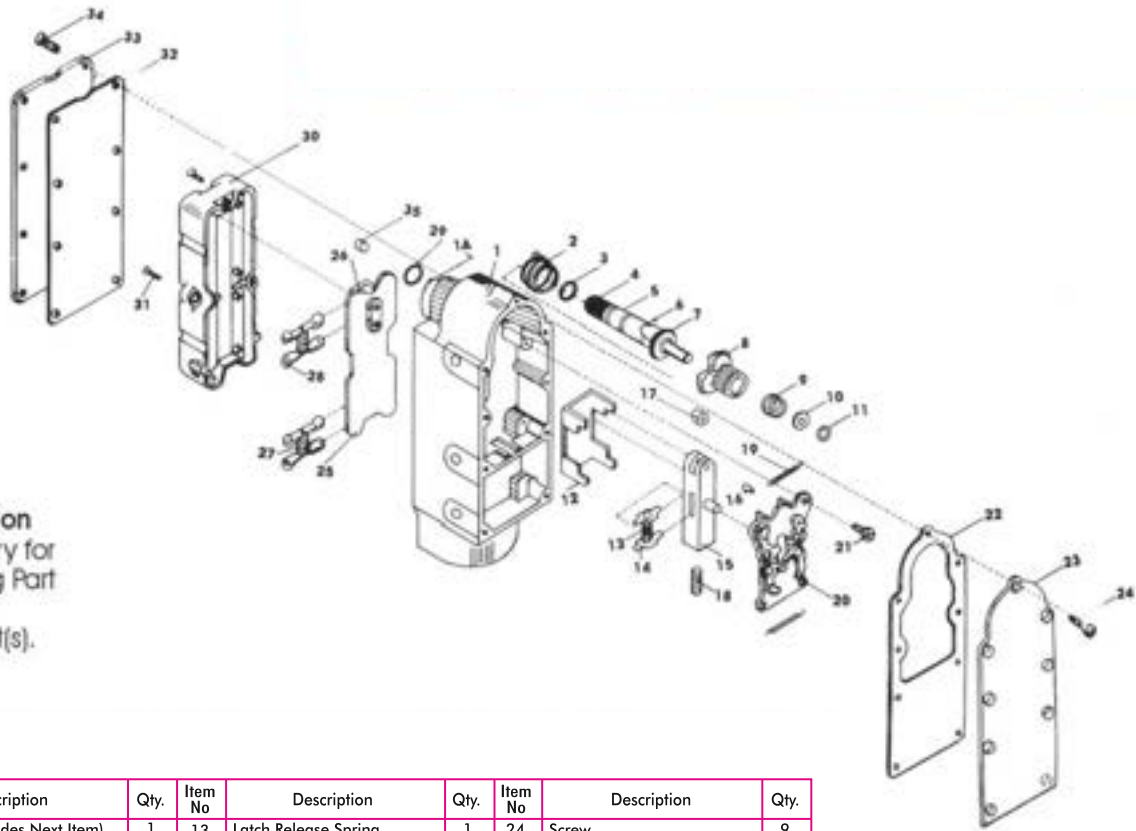
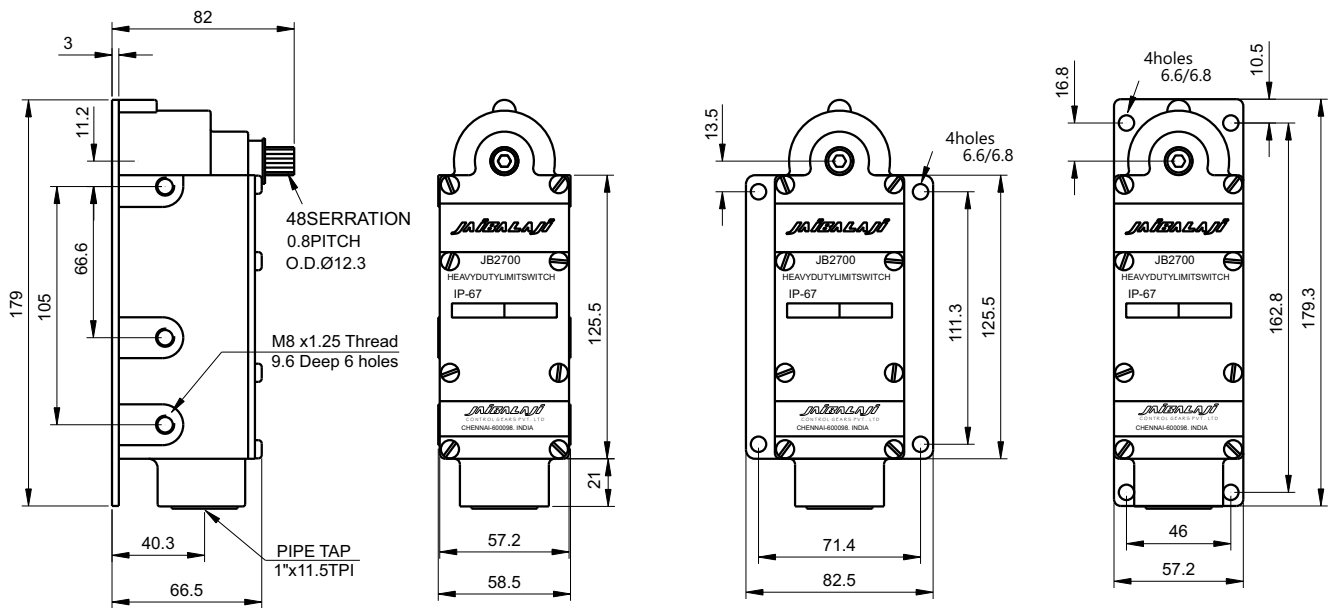
Basic design permits mounting from either side or back. Style L or W mounting plates, for back mounting, available at no extra cost.

Dimensions

Standard Mounting

Wide Mounting

Long Mounting



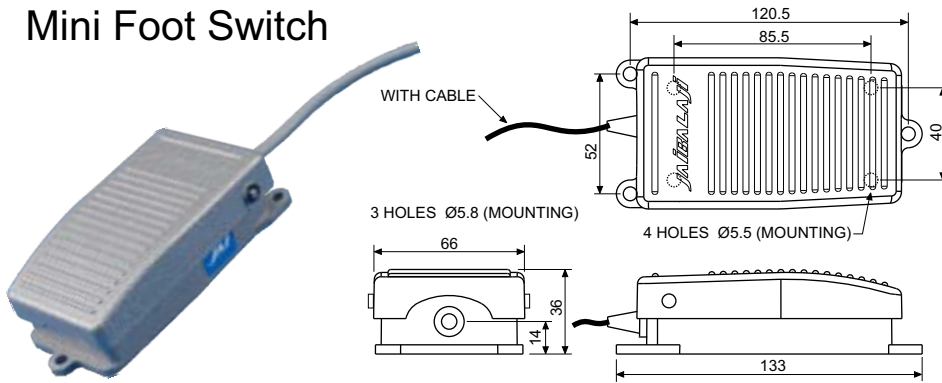
Parts Description
Consult Factory for corresponding Part Number and appropriate kit(s).

Item No	Description	Qty.	Item No	Description	Qty.	Item No	Description	Qty.
1	Housing (Includes Next Item)	1	13	Latch Release Spring	1	24	Screw	9
1A	Bushing	1	14	Spring Stop	2	25	Contact Carrier Assembly (Includes Next 3 items)	1
2	Torsion Spring	1	15	Slide	1	26	Contact Carrier	1
3	"O" Ring	1	16	Pin	1	27	Contact Spring	2
4	Lever Assembly (includes Next 3 items)	1	17	Roller	1	28	Contact	4
5	Lever Shaft	1	18	Return Spring	1	29	Tru-Arc Ring	1
6	Roll Pin	1	19	Latch Return Spring	2	30	Contact Block	1
7	Cam Hub	1	20	Latch Plate	1	31	Screw	3
8	Cam	1	21	Screw	4	32	Top Cover Gasket	1
9	Cam Spring	1	22	Bottom Cover Gasket	1	33	Top Cover	1
10	Retaining Washer	1	23	Bottom Cover(Std. Only)	1	34	Screw	8
11	Tru-Arc-Ring	1		Bottom Cover(Style W Only)	1	35	Pipe Plug	1
12	Shuttle	1		Bottom Cover(Style L Only)	1			

JAIBALAJI

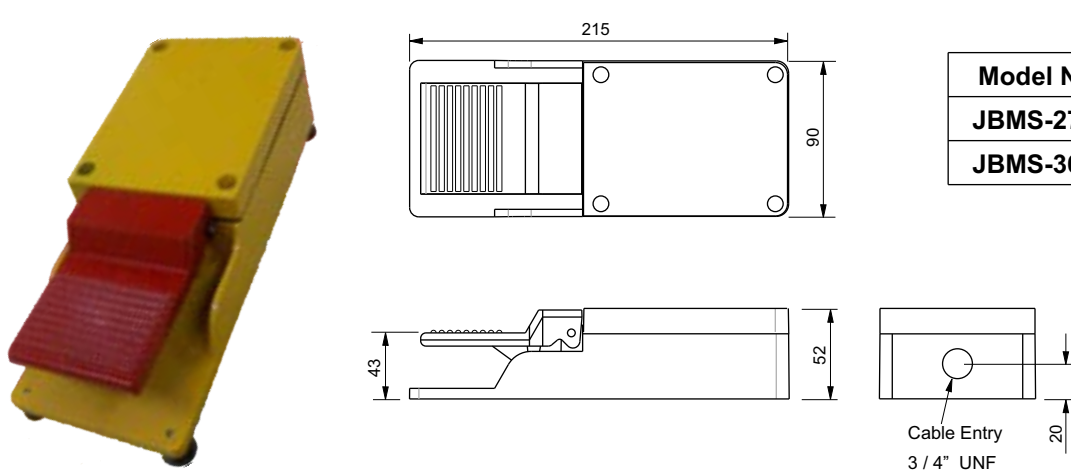
FOOT SWITCHES CATALOGUE CUM PRICE LIST

Mini Foot Switch



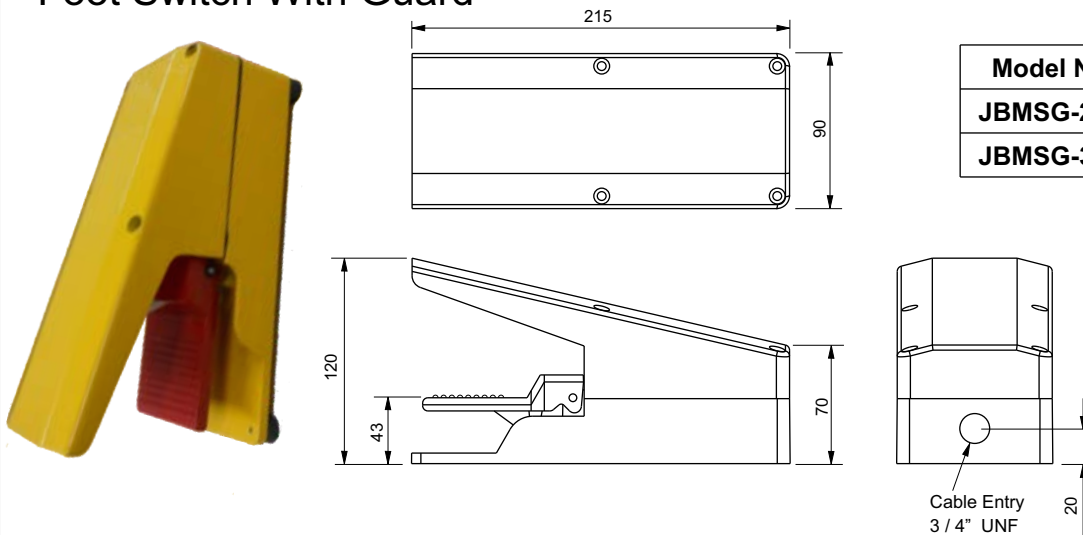
Model No.	Contacts	M.R.P.Rs
JBMS-09	1NO+1NC	891
JBMS-18	2NO+2NC	1395

Foot Switch Without Guard



Model No.	Contacts	M.R.P.Rs
JBMS-27	1NO+1NC	2745
JBMS-36	2NO+2NC	3519

Foot Switch With Guard



Model No.	Contacts	M.R.P.Rs
JBMSG-27	1NO+1NC	2979
JBMSG-36	2NO+2NC	3762

Electrical and Mechanical Rating

Utilisation Category : AC 15 and DC 13 as per IS/IEC:60947 - 5 - 1
 Thermal current (I_{th}) : 15A
 Insulation Voltage (UI) : 600 VAC
 Enclosure material : Cast Aluminium

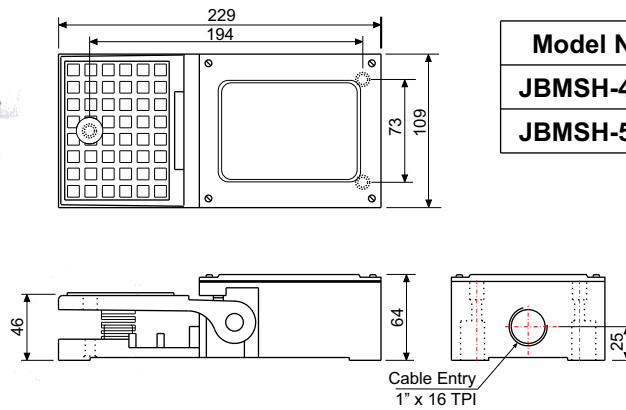
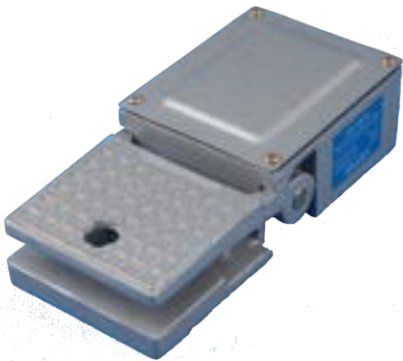
RATINGS: AC RATING INDUCTIVE-NEMA A 600

Voltage	Make		Break	
	A	VA	A	VA
120	60	7200	6	720
240	30	7200	3	720
480	15	7200	1.5	720
500	12	7200	1.2	720

RATINGS: DC RATING INDUCTIVE-NEMA P 600

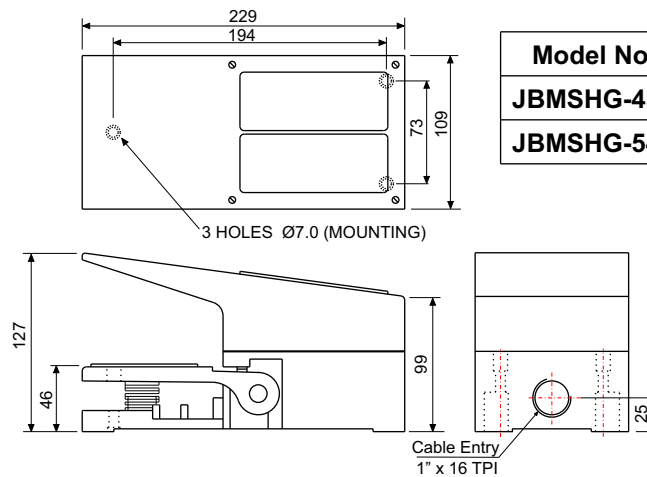
Voltage	Make		Break	
	A	VA	A	VA
125	1.1	138	1.1	138
250	0.55	138	0.55	138
600	0.2	138	0.2	138

Heavy Duty Foot Switch (Without Guard)



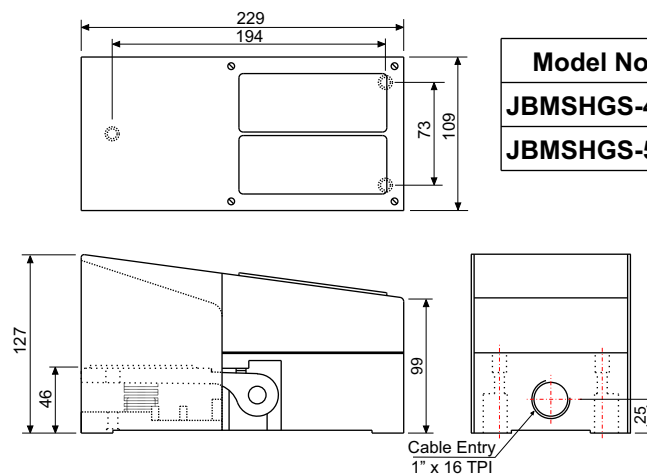
Model No.	Contacts	M.R.P.Rs
JBMSH-45	1NO+1NC	4563
JBMSH-54	2NO+2NC	4905

Heavy Duty Foot Switch (With Guard)



Model No.	Contacts	M.R.P.Rs
JBMSHG-45	1NO+1NC	5436
JBMSHG-54	2NO+2NC	5805

Heavy Duty Foot Switch (With Shield)

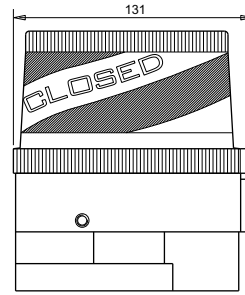
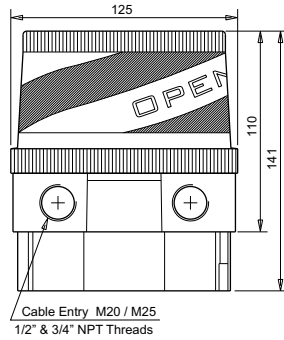


Model No.	Contacts	M.R.P.Rs
JBMSHGS-45	1NO+1NC	5877
JBMSHGS-54	2NO+2NC	6255

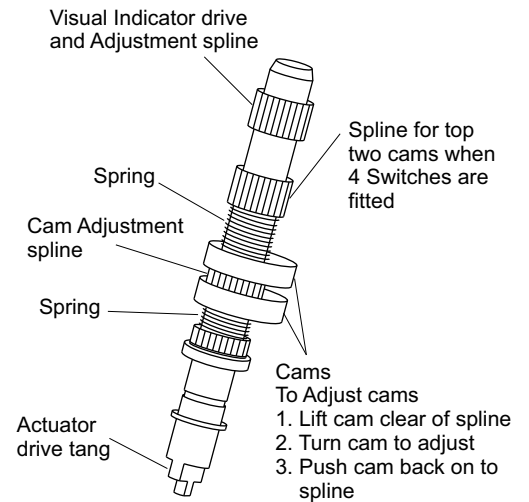
JAIBALAJI
CONTROL GEARS PVT. LTD

Post Box No. 27, 89 (New No. 107), SIDCO Industrial Estate, Ambattur, Chennai -600 098. India
Phone: +91 44 26251279 / 26257859 / 26254470 Fax: +91 44 26255038.
E-mail: dchandramohan@jaibalaji.firm.in Web: jaibalaji.in

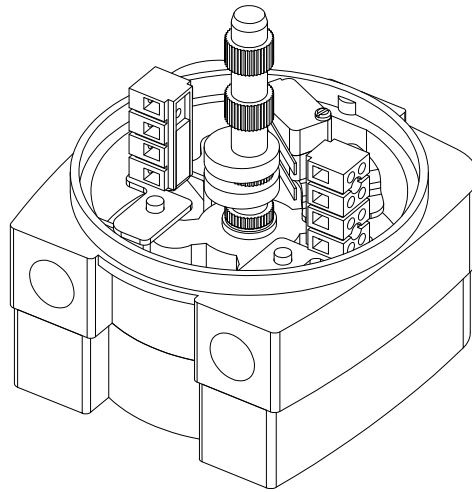
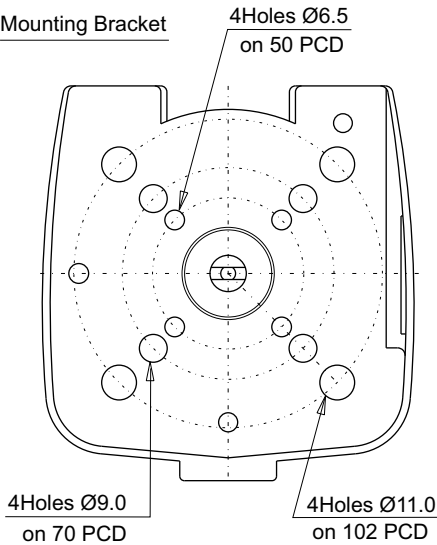
VALVE POSITION MONITOR CATALOGUE CUM PRICE LIST



Shaft Details



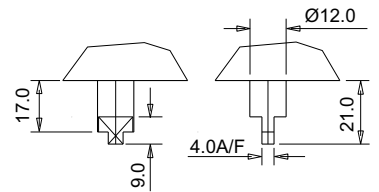
Mounting Bracket



Miniature Switches

Ratings: AC RATING INDUCTIVE - A600				
Voltage	Make		Break	
	A	VA	A	VA
120	60	7200	6	720
240	30	7200	3	720
480	15	7200	1.5	720
600	12	7200	1.2	720

Ratings: DC RATING INDUCTIVE - P600				
Voltage	Make		Break	
	A	VA	A	VA
125	1.1	138	1.1	138
250	0.55	138	0.55	138
600	0.2	138	0.2	138



Specification

Housing Material	: Nylon (Glass filled)
Indicator Material	: Polycarbonate
Protection	: IP 67
Terminal points	: 8 Points
Temperature Range	: -40°C to 100°C
Visual Indicator	: 0° to 90°
Conduit Entry	: 2 Entries
Basic Switch	: 2 Miniature Switches

Optional

Terminal points	: 16 Points
Conduit Entry	: 3 Entries
Basic Switch	: 1 to 4 Miniature Switches or Proximity Sensors

Miniature Switch



Model No.	Description	M.R.P.Rs
JBVPM-54	JMS / IPM / H - A Miniature Snap action Switch - 1No.	4851
JBVPM-63	JMS / IPM / H - A Miniature Snap action Switch - 2Nos.	4968
JBVPM-72	JMS / IPM / H - A Miniature Snap action Switch - 3Nos.	5256
JBVPM-81	JMS / IPM / H - A Miniature Snap action Switch - 4Nos.	5553



Manufactured by:

Ref : JAI / GC / 2026

Date : 01.07.2026



Dear Sir,

At the outset, we thank you all for patronizing our products. As you are aware, our **JAIBALAJI** products are the **ONLY PRODUCTS** available in India with  &  Markings and **IP-67** Protection. We are also an **ISO 9001 : 2015** Certified company offering **QUALITY PLUS** Products at **MOST COMPETITIVE PRICE**. **JAIBALAJI** Products are manufactured making use of **UL Listed V2 Flame Retardant Grade 960°** Glow Wire Tested Anti corrosive Anti-Acid unbreakable **Engineering Plastic** and are fully insulated. Our wide range of products are **Illuminated Push Buttons, Pilot lights, Push Button Stations (Plastic &Metal) LED Electronic Module Indicating lights (16.5 mm & 22.5 mm dia) Electronic signal Tower lights (LED & BULB) Electronic Proximity Sensors (Photo Sensors, Diffuse, Thro' Beam, Colour mark, Inductive & Capacitive) Electronic Timer Din Rail (Analog & Digital) Electronic Digital Counter / Timer, Digital Meters AC / DC Voltmeter, Ammeter, Digital Panel Meters, Frequency Meters, Variety of Limit Switches, like BC-9, BC-9T, JW Micro Adjustable, CEE EM 45, Precision, Miniature Snap Action, Mini Limit Switches, Heavy Duty Limit Switches JB - 2700, Extra Heavy Duty JC-1125 Limit Switches, Explosion Proof EPHA Limit Switches, Foot Switches, Engineering Plastic Industrial Plug & Sockets, and Connectors Cam Operated Rotary Switches, variety of different sizes of Junction Boxes (Engineering Plastic & Metal) and Telescopic Brushes, Pullcord, Beltsway, Zero speed switch & Rocker switch. Distribution Boxes, Pendent Pushbutton stations, CEE EM 45 Mini Limit Switch, Bus bar Indicator & Reed Magnetic Switch**

DEALERS ENQUIRIES ARE SOLICITED

This supersedes all previous Price Lists, Prices are subject to change without prior notice, Prices at the time of supply will be applicable.

Your continued patronage and kind co-operation will be very much appreciated.

Thanking you and assuring you of our best services always.

Yours faithfully,

for 



CHANAKYACHANDRAMOHAN

Encl : as above.

New No. 107, Sidco Industrial Estate

Post Box No. 27, Ambattur,

Chennai - 600 098. India

Phone : 0091 - 44 - 2625 1279

0091 - 44 - 2625 4469

0091 - 44 - 2625 4470

0091 - 44 - 2625 7174

0091 - 44 - 2625 7859

Fax : 0091 - 44 - 2625 5038


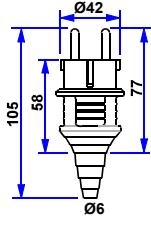

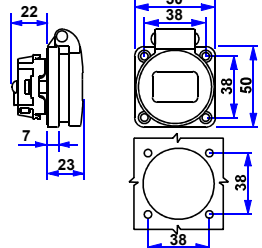

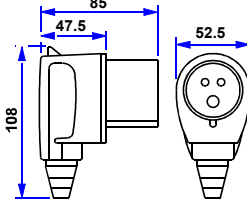

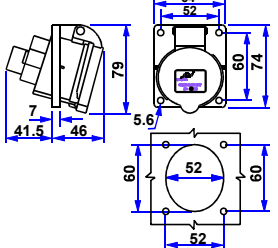

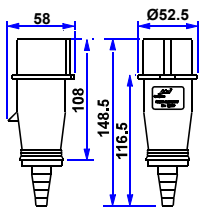

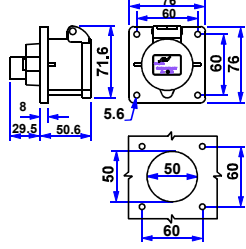

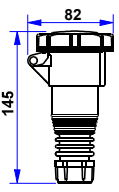

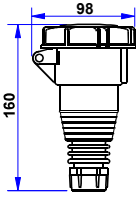

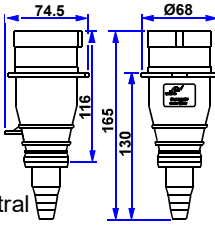

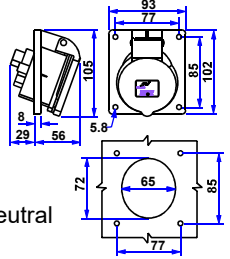

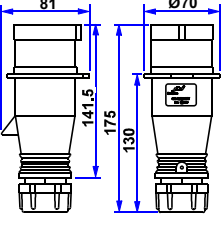

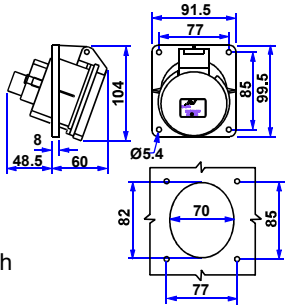
E-mail : dchandramohan@jaibalaji.firm.in

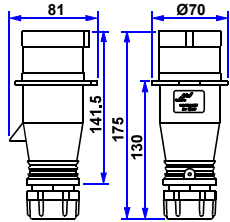
WEBSITE : www.jaibalaji.firm.in

S.No.	List of Panel Accessories	Page No
1	ISO Certificate	1-3
2	ISI Certificate	4-9
3	CSA Certificate	10-12
4	CE Certificate	13-14
5	Engineering Plastic Plug & Socket	15-18
6	Cam Operated Rotary Switch	19-24
7	Push button non illuminated actuators	25-26
8	Push button key selector	26
9	Push button illuminated actuators pilot light & spares	27-30
10	Engg Plastic Push button station	31
11	Plastic pendant push button station	32
12	AI Push button station with Actuator	33
13	AI pendant push button station with Actuator	34
14	AI Push button station &Pendent	34
15	Engg Plastic Junction & Distribution box	35-39
16	Telescopic brush plug	40

JIBALAJI

ENGINEERING PLASTIC INDUSTRIAL HEAVY DUTY PLUGS , SOCKETS AND CONNECTORS WITH CE MARK CATALOGUE CUM PRICE LIST

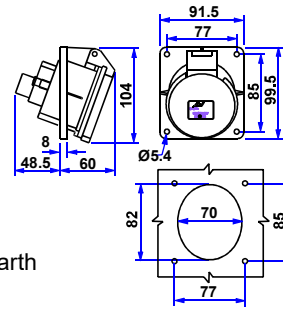
 <p>16 Amps 2Pin Straight Plug</p>  <p>Model J162SP IP44 M.R.P. Rs.378</p>	 <p>16 Amps 2Pin Straight Socket</p>  <p>Model J162SS IP44 M.R.P. Rs.378</p>
 <p>16 Amps 2Pin+Earth Angled Plug</p>  <p>Model J203AP IP44 M.R.P. Rs.693</p>	 <p>16 Amps 2Pin+Earth Angled Socket</p>  <p>Model J203AS IP44 M.R.P. Rs.639</p> <p>J203AS IP67 M.R.P. Rs.738</p>
 <p>16 Amps 2Pin+Earth Straight Plug</p>  <p>Model J203SP IP44 M.R.P. Rs.576</p> <p>J203SP IP67 M.R.P. Rs.738</p>	 <p>16 Amps 2Pin+Earth Straight Socket</p>  <p>Model J203SS IP44 M.R.P. Rs.675</p> <p>Model J205SS IP44 M.R.P. Rs.1026</p> <p>J205SS IP67 M.R.P. Rs.1125</p>
 <p>16 Amps 2Pin+Earth Straight Connector</p>  <p>Model J203SC IP44 M.R.P. Rs.792</p> <p>J203SC IP67 M.R.P. Rs.1476</p>	 <p>16 Amps 3Pin+Earth+Neutral Straight Connector</p>  <p>Model J205SC IP44 M.R.P. Rs.900</p> <p>J205SC IP67 M.R.P. Rs.1557</p>
 <p>16 Amps 3Pin+Earth+Neutral Straight Plug</p>  <p>Model J205SP IP44 M.R.P. Rs.783</p> <p>J205SP IP67 M.R.P. Rs.1143</p>	 <p>16 Amps 3Pin+Earth+Neutral Angled Socket</p>  <p>Model J205AS IP44 M.R.P. Rs.981</p> <p>J205AS IP67 M.R.P. Rs.1143</p>
 <p>32 Amps 2Pin+Earth Straight Plug</p>  <p>Model J323SP IP44 M.R.P. Rs.828</p> <p>J323SP IP67 M.R.P. Rs.1251</p>	 <p>32 Amps 2Pin+Earth Angled Socket</p>  <p>Model J323AS IP44 M.R.P. Rs.1089</p> <p>J323AS IP67 M.R.P. Rs.1224</p>



Model
J324SP IP44
M.R.P. Rs.990

J324SP IP67
M.R.P. Rs.1269

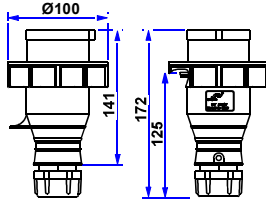
32 Amps 3Pin+Earth
Straight Plug



Model
J324AS IP44
M.R.P.Rs.1188

J324AS IP67
M.R.P.Rs.1305

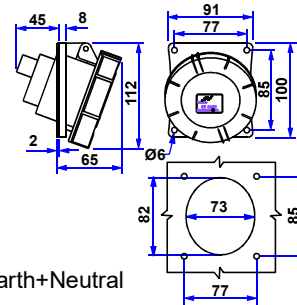
32 Amps 3Pin+Earth
Angled Socket



Model
J325SP IP44
M.R.P. Rs.1053

J325SP IP67
M.R.P. Rs.1413

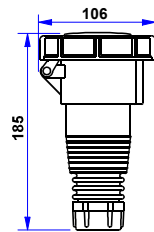
32 Amps 3Pin+Earth+Neutral
Straight Plug



Model
J325AS IP44
M.R.P. Rs.1251

J325AS IP67
M.R.P. Rs.1359

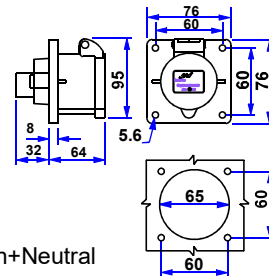
32 Amps 3Pin+Earth+Neutral
Angled Socket



Model
J325SC IP44
M.R.P. Rs.1305

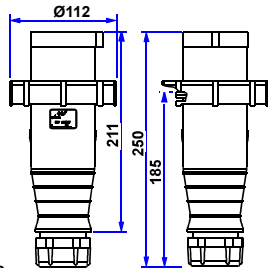
J325SC IP67
M.R.P. Rs.1935

32 Amps 3Pin+Earth+Neutral
Straight Connector



Model
J325SS IP44
M.R.P. Rs.1251

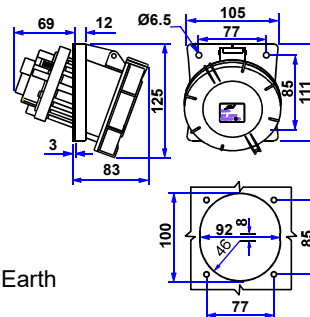
32 Amps 3Pin+Earth+Neutral
Straight Socket



Model
J634SP IP44
M.R.P. Rs.3330

J634SP IP67
M.R.P. Rs.3582

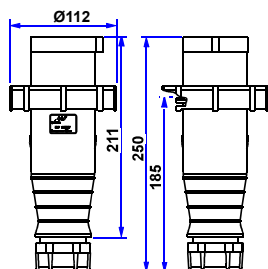
63 Amps 3Pin+Earth
Straight Plug



Model
J634AS IP44
M.R.P.Rs.3519

J634AS IP67
M.R.P.Rs.4041

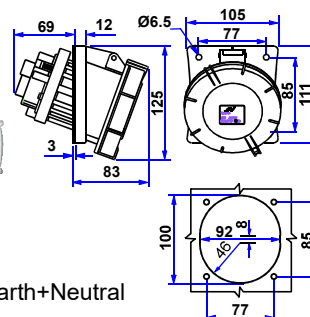
63 Amps 3Pin+Earth
Angled Socket



Model
J635SP IP44
M.R.P. Rs.3798

J635SP IP67
M.R.P. Rs.4176

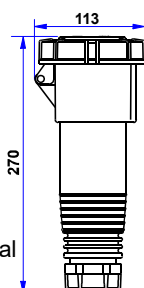
63 Amps 3Pin+Earth+Neutral
Straight Plug



Model
J635AS IP44
M.R.P. Rs.3897

J635AS IP67
M.R.P. Rs.4491

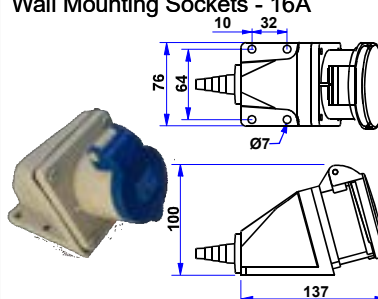
63 Amps 3Pin+Earth+Neutral
Angled Socket



Model
J635SC IP67
M.R.P. Rs.4815

63 Amps 3Pin+Earth+Neutral
Straight Connector

Wall Mounting Sockets - 16A

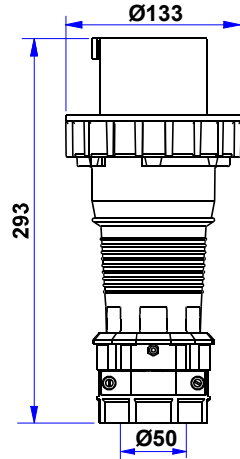


Model
J203WMSS IP44
M.R.P. Rs.855

Model
J205WMSS IP67
M.R.P. Rs.1359

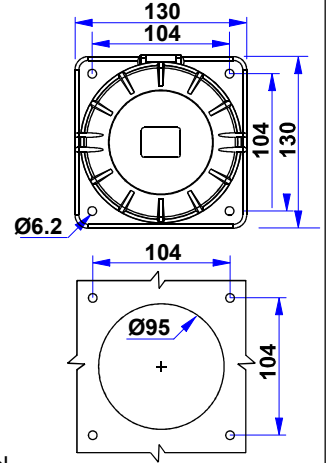
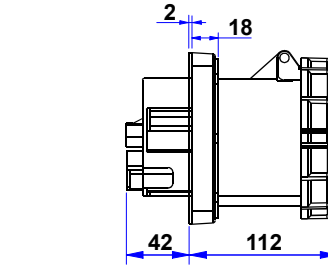
J205WMSS IP44
M.R.P. Rs.1251

125 Amps 3Pin+Earth+Neutral
Straight Plug



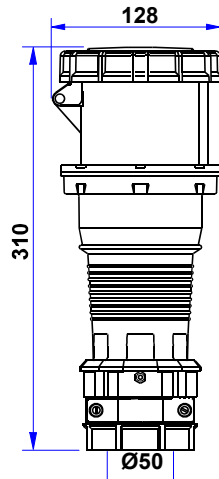
Model
J1255SP IP67
M.R.P. Rs.8397

125 Amps 3Pin+Earth+Neutral
Straight Socket



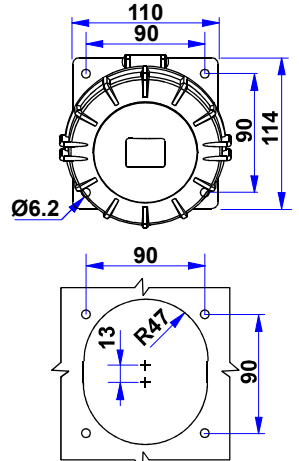
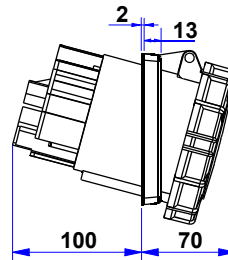
Model
J1255SS IP67
M.R.P. Rs.8631

125 Amps 3Pin+Earth+Neutral
Straight Connector



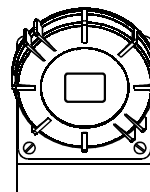
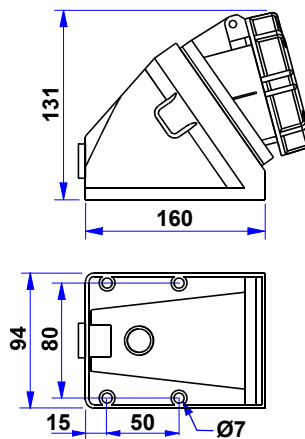
Model
J1255SC IP67
M.R.P. Rs.9225

125 Amps 3Pin+Earth+Neutral
Angled Socket



Model
J1255AS IP67
M.R.P. Rs.8640

Wall Mounting Sockets - 32A



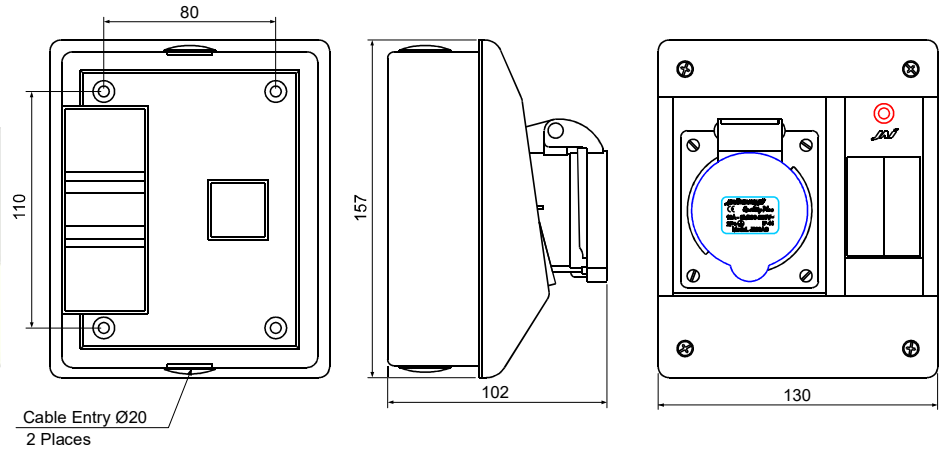
Model
J205WMAS IP44
M.R.P. Rs.1260
J205WMAS IP67
M.R.P. Rs.1431
J323WMAS IP44
M.R.P. Rs.1368
J323WMAS IP67
M.R.P. Rs.1521
J324WMAS IP44
M.R.P. Rs.1512
J324WMAS IP67
M.R.P. Rs.1638
J325WMAS IP44
M.R.P. Rs.1539
J325WMAS IP67
M.R.P. Rs.1665

A / C BOX

Fully Insulated Plastic A/c Box With 16/20Amps 2Pin + Earth Angled Socket And Plug



M.R.P. Rs.1251



Position of ground contact with respect to major for various voltages and frequencies, designated by Clock face positions in accordance with table 104 taken EN 60309 - 2 : 1992

Type	Frequency Hz	Rated Operating Voltage V	Position of Ground Contact		
			16A/32A	63A	125A
2P+E	50 and 60	200 to 250	6	6	-
3P+N+E	50 and 60	200/346/ to 240/415	6	6	6

Operation	On Load	No Load
16A	5000	
32A	1000	1000
63A	1000	1000
125A	1000	1000

Product	:	Industrial Plug & Socket
Reference Standards	:	IS/IEC 60309 Part 1 and Part 2
Working temperature	:	-25 degree C to + 80 degree C
Insulation Voltage	:	690V AC/DC
Dielectric Strength	:	2500V per/minute
Insulation Resistance	:	>5 Meg. Ohm.
Contact Resistance	:	<25 Mili. Ohm.
Max. Withdrawal force	:	<400 N
Rated Operating Voltage	:	240V/415V (AC)
Rated Operating Current	:	16A/32A/63A/125A
No. Of Poles	:	3,4 & 5
Breaking Capacity	:	1.25 times the rated current, 1.1 times the rated Voltage, power factor 0.6lag.

COLOUR CODING

If, in addition of regulation marking, the rated operating voltage is also indicated by a colour coding, this must be in accordance with IEC 309

Rated Operating Voltage	Colour code
200 to 250 V	Blue
380 to 480 V	Red

JAIBALAJI
CONTROL GEARS PVT. LTD

Post Box No. 27, 89 (New No. 107),SIDCO Industrial Estate,
Ambattur, Chennai -600 098. India
Phone: +91 44 26251279 / 26257859 / 26254470 Fax: +91 44 26255038.
E-mail: dchandramohan@jaibalaji.firm.in Web: jaibalaji.in

CAM OPERATED ROTARY SWITCHES WITH CATALOGUE CUM PRICE LIST

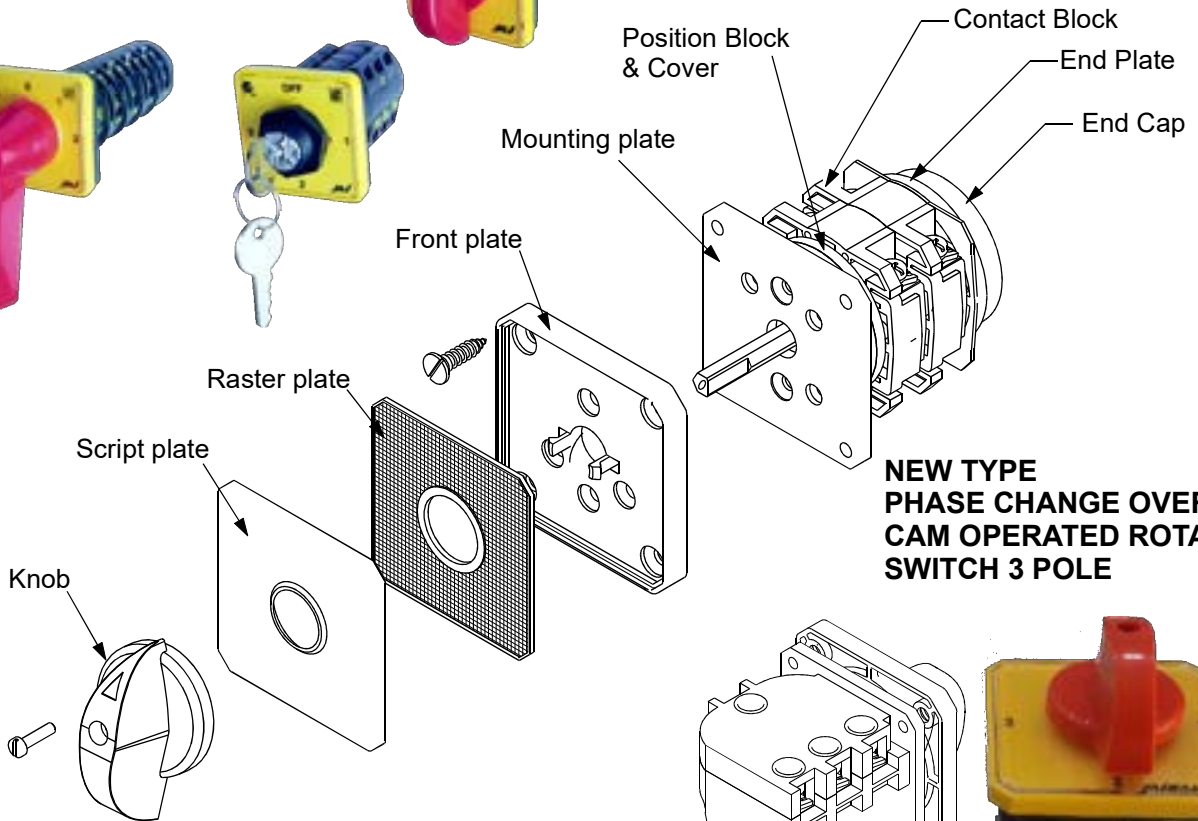
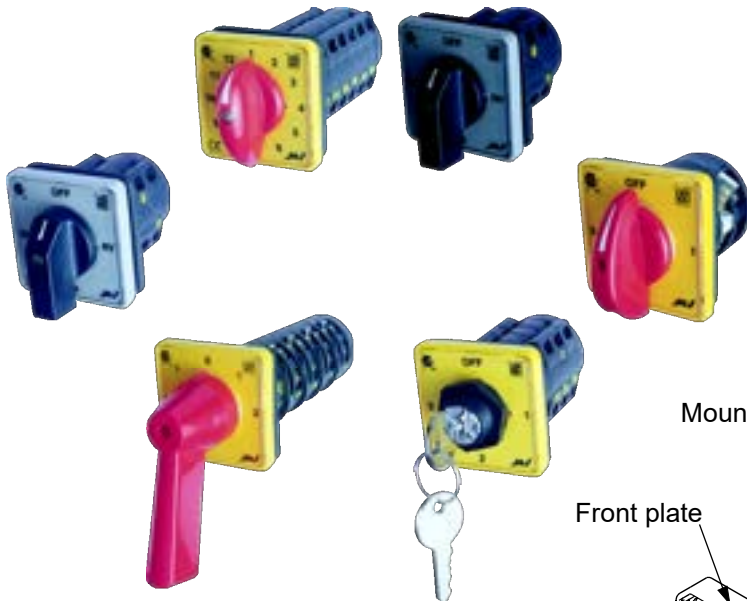
IS/IEC:60947
Pt-5/Sec-1



MARKS

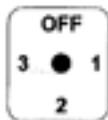
Technical Specifications

Utilisation Category	: AC 15/DC 13 as per IS/IEC:60947
Thermal Current	: 6A to 400 A
Maximum switching cycle	: Class 300
Class of mechanical durability	: 3
Operating Temperature	: -25°C to +55°C
Rated Voltage	: 415V AC / 240V DC
Rated impulse voltage	: 1.5 KV
Frequency	: 50 Hz
Rated Insulation voltage	: 600V AC

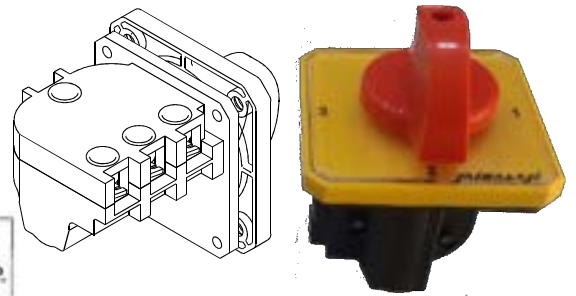


**NEW TYPE
PHASE CHANGE OVER
CAM OPERATED ROTARY
SWITCH 3 POLE**

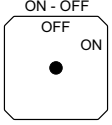
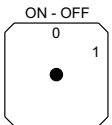
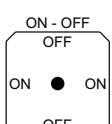
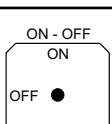
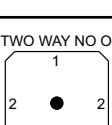
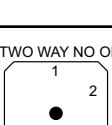
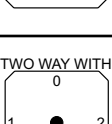
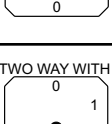
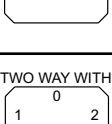

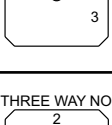

**PHASE CHANGE
OVER SWITCHES**

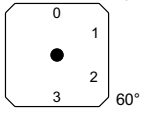
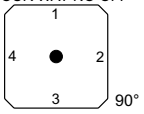
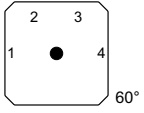
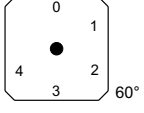
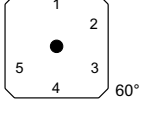
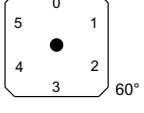
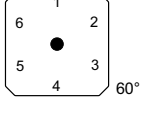
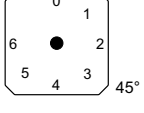
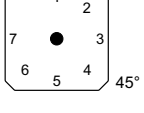
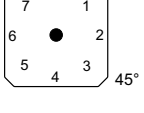
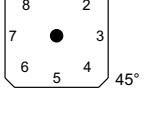
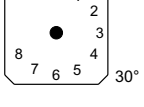


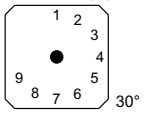
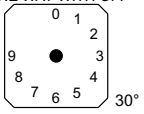
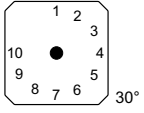
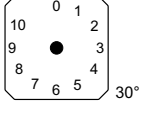
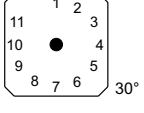
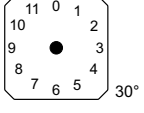
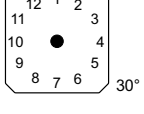
1 Pole 3 Way With OFF	25A	32A	40A	63A
	M.R.P.	M.R.P.	M.R.P.	M.R.P.
MODEL (Program No.)	RS.	RS.	RS.	RS.
27060	567	701	1017	1143



Amps	Outer Diameter	Position Block	Contact Block CB												End Plate	End Cap
			1	2	3	4	5	6	7	8	9	10	11	12		
6 & 10	35	11.0	9.5	19.0	28.5	38.0	47.5	57.0	66.5	76.0	85.5	95.0	104.5	114.0	4.0	5.0
16	46	13.5	12	24	36	48	60	72	84	96	108	120	132	144	4.0	7.8
25&32	50	13.5	15	30	45	60	75	90	105	120	135	150	165	180	5.5	7.8
40&63	70	14.0	21.3	42.6	63.9	85.2	106.5	127.8	149.1	170.4	191.7	213	234.3	255.6	5.0	10.0
100&200	88	19.0	32	64	96	128	160	192	224	256	288	320	352	384	6.0	10.0
400	88	19.0	64	128	192	256	320	384							6.0	10.0

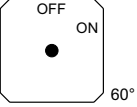
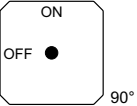
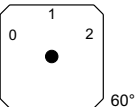
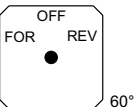
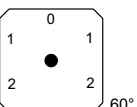
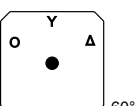
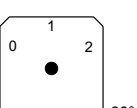
SWITCHING POSITION	P O L E	MODEL	6A M.R.P. Rs.	10A M.R.P. Rs.	16A M.R.P. Rs.	25A M.R.P. Rs.	32A M.R.P. Rs.	40A M.R.P. Rs.	63A M.R.P. Rs.	100A M.R.P. Rs.	200A M.R.P. Rs.
	1	27001	198	333	468	531	648	819	972	5094	6561
	2	27002	261	378	540	639	756	1008	1242	6354	8550
	3	27003	288	450	873	1116	1359	1710	2466	8604	11214
	4	27004	351	531	684	1035	1098	1332	2052	9063	12699
	1	27001J	198	333	468	531	648	819	972	5094	6561
	2	27002J	261	378	540	639	756	1008	1242	6354	8550
	3	27003J	288	450	873	1116	1359	1710	2466	8604	11214
	4	27004J	351	531	684	1035	1098	1332	2052	9063	12699
	1	27195	198	333	468	531	648	819	972	5094	6561
	2	27198	261	378	540	639	756	1008	1242	6354	8550
	3	27197	288	450	603	819	945	1170	1701	7821	10674
	4	27196	351	531	684	1035	1098	1332	2052	9063	12699
	1	27191	198	333	468	531	648	819	972	5094	6561
	2	27192	261	378	540	639	756	1008	1242	6354	8550
	3	27199	288	450	603	819	945	1170	1701	7821	10674
	4	27194	351	531	684	1035	1098	1332	2052	9063	12699
	1	27037	261	432	594	657	873	963	1314	6561	9495
	2	27038	351	531	684	873	1017	1323	1998	9612	14463
	3	27039	432	666	909	1323	1440	1674	2673	12447	18513
	4	27040	540	765	1044	1728	1827	2034	3357	15714	23130
	1	27037J	261	432	594	657	873	963	1314	6561	9495
	2	27038J	351	531	684	873	1017	1323	1998	9612	14463
	3	27039J	432	666	909	1323	1440	1674	2673	12447	18513
	4	27040J	540	765	1044	1728	1827	2034	3357	15714	23130
	1	27151	261	432	594	657	873	963	1314	6561	9495
	2	27152	351	531	684	873	1017	1323	1998	9612	14463
	3	27153	432	666	909	1323	1440	1674	2673	12447	18513
	4	27154	540	765	1044	1728	1827	2034	3357	15714	23130
	1	27059	261	432	594	657	873	963	1314	6561	9495
	2	27079	351	531	684	873	1017	1323	1998	9612	14463
	3	27099	432	666	909	1323	1440	1674	2673	12447	18513
	4	27130	540	765	1044	1728	1827	2034	3357	15714	23130
	1	27025	261	432	594	657	873	963	1314	6561	9495
	2	27026	351	531	684	873	1017	1323	1998	9612	14463
	3	27027	432	666	909	1323	1440	1674	2673	12447	18513
	4	27028	540	765	1044	1728	1827	2034	3357	15714	23130
	1	27049	279	468	639	810	828	1296	1449	-	10287
	2	27069	432	720	891	1071	1593	1620	1908	9810	18513
	3	27089	621	891	1314	1539	1683	2169	2808	12816	20547
	4	27120	837	999	1539	1962	2097	4590	5076	-	26622
	1	27049J	279	468	639	810	828	1296	1449	-	10287
	2	27069J	432	720	891	1071	1593	1620	1908	9810	18513
	3	27089J	621	891	1314	1539	1683	2169	2808	12816	20547
	4	27120J	837	999	1539	1962	2097	4590	5076	-	26622
	1	27060	315	495	621	558	693	1017	1134	5607	10134
	2	27080	423	567	738	1044	1125	1602	1827	9810	15462
	3	27100	621	774	1278	1539	1638	2151	2799	12204	20331
	4	27131	810	981	1539	1935	2115	2880	3366	16200	25497

SWITCHING POSITION	P O L E	MODEL	6A M.R.P. Rs.	10A M.R.P. Rs.	16A M.R.P. Rs.	25A M.R.P. Rs.	32A M.R.P. Rs.	40A M.R.P. Rs.	63A M.R.P. Rs.	100A M.R.P. Rs.	200A M.R.P. Rs.
THREE WAY WITH OFF 	1	27060J	315	495	621	558	693	1017	1134	5607	10134
	2	27080J	423	567	738	1044	1125	1602	1827	9810	15462
	3	27100J	621	774	1278	1539	1638	2151	2799	12204	20331
	4	27131J	810	981	1539	1935	2115	2880	3366	16200	25497
FOUR WAY NO OFF 	1	27050	315	531	756	963	1008	1404	1944	6687	10512
	2	27070	486	747	900	1134	1242	1683	2196	10314	16713
	3	27090	675	873	1431	1827	2016	2214	2952	13572	22437
	4	27121	927	990	1665	2214	2358	2952	3924	16668	28476
FOUR WAY NO OFF 	1	27050J	315	531	756	963	1008	1404	1944	6687	10512
	2	27070J	486	747	900	1134	1242	1683	2196	10314	16713
	3	27090J	675	873	1431	1827	2016	2214	2952	13572	22437
	4	27121J	927	990	1665	2214	2358	2952	3924	16668	28476
FOUR WAY WITH OFF 	1	27061	387	450	909	1089	1224	1377	1872	9387	-
	2	27081	639	828	1062	1161	1332	1980	2196	15714	-
	3	27101	873	1062	1692	1935	2232	2511	3366	23670	30582
	4	27132	1062	1566	2142	2322	2475	3267	3888	33228	49843
FIVE WAY NO OFF 	1	27051	387	540	837	1098	1332	1575	2007	8568	-
	2	27071	738	972	1152	1746	2196	2763	3015	-	21096
	3	27091	963	1198	2196	2394	2646	2763	3915	-	-
	4	27122	531	774	1044	1170	1656	1980	2052	-	-
FIVE WAY WITH OFF 	1	27062	387	576	954	1377	1395	1422	2007	-	19044
	2	27082	738	1098	1395	1863	2187	2250	2844	-	-
	3	27102	963	1998	2403	2655	2916	3249	3816	31518	-
SIX WAY NO OFF 	1	27052	414	882	1035	1206	1395	1629	2052	9810	19197
	2	27072	846	1035	1395	2160	2223	2232	2871	19557	25119
	3	27092	1035	1881	2358	2574	2673	2934	3915	33228	52533
SIX WAY WITH OFF 	1	27063	531	738	1008	1368	1413	1458	1827	-	-
	2	27083	873	999	1458	1602	2502	-	4716	-	-
	3	27103	1206	-	2772	3132	3357	-	3924	-	-
SEVEN WAY NO OFF 	1	27053	531	810	927	1431	1548	1818	2115	17280	-
	2	27073	900	-	1557	2223	-	-	-	-	-
	3	27193	1251	-	2565	3339	-	-	5274	-	-
SEVEN WAY WITH OFF 	1	27064	540	828	1080	1377	1440	1512	2340	-	-
	2	27084	909	1071	1431	2187	2304	3213	3517	-	-
	3	27104	1251	-	2304	2871	-	4383	5139	-	-
EIGHT WAY NO OFF 	1	27054	540	963	1161	1530	1665	1701	2475	16416	-
	2	27074	954	1530	1962	2493	2646	-	4806	-	-
	3	27094	1341	-	2799	3015	3060	3501	5526	-	-
EIGHT WAY WITH OFF 	1	27065	612	900	1080	1908	-	2394	-	-	-
	2	27085	999	-	1944	-	-	-	-	-	-

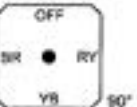

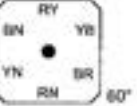
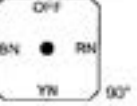
SWITCHING POSITION	P O L E	MODEL	6A M.R.P. Rs.	10A M.R.P. Rs.	16A M.R.P. Rs.	25A M.R.P. Rs.	32A M.R.P. Rs.	40A M.R.P. Rs.	63A M.R.P. Rs.	100A M.R.P. Rs.	200A M.R.P. Rs.
NINE WAY NO OFF 	1	27055	639	-	1863	-	-	-	-	-	-
	2	27075	1053	-	-	-	-	-	-	-	-
NINE WAY WITH OFF 	1	27066	639	-	-	-	-	-	-	-	-
	2	27086	1053	-	2871	-	-	-	-	-	-
TEN WAY NO OFF 	1	27056	675	1035	2061	-	-	-	-	-	-
	2	27076	1170	-	-	-	-	-	-	-	-
TEN WAY WITH OFF 	1	27067	738	1080	1503	3258	-	-	-	-	-
	2	27087	1161	-	-	-	-	-	-	-	-
ELEVEN WAY NO OFF 	1	27057	1233	-	-	-	-	-	-	-	-
	2	27077	1422	-	-	-	-	-	-	-	-
ELEVEN WAY WITH OFF 	1	27068	873	-	1359	2853	-	-	-	-	-
	2	27088	-	-	-	-	-	-	-	-	-
TWELVE WAY NO OFF 	1	27058	1314	-	1539	3663	3924	-	-	-	-
	2	27078	1539	-	-	-	-	-	1944	-	-

MOTOR CONTROL SWITCHES

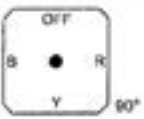
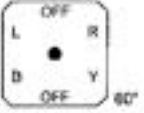
Cam Operated Rotary switches suitable for switching, controlling and starting 3 phase 415 volts 50Hz squirrel cage induction motors upto 5.5 Kw for AC1, AC3 and AC4 duties conforming to IS/IEC 60947 / Pt.5/Sec1

SWITCHING POSITION	MODEL	DESCRIPTION	16A M.R.P. Rs.	25A M.R.P. Rs.	32A M.R.P. Rs.	40A M.R.P. Rs.	63A M.R.P. Rs.	100A M.R.P. Rs.	200A M.R.P. Rs.
	27003	ON - OFF, 2 Position 60° Switch	-	-	-	-	-	-	-
	27199	ON - OFF, 2 Position 90° Switch	-	-	-	-	-	-	-
	27212	Double Speed Forward Switch with OFF	900	1719	2151	2700	3312	8838	10206
	27211	Forward Reverse Control Switch with OFF	612	747	891	2277	2781	7065	8739
	27217	Double Speed Forward Reverse Switch with OFF	-	1881	-	3141	-	-	-
	27200	Star / Delta	801	1044	1314	2007	2565	-	-
	27219	Separate Winding	-	-	-	-	-	-	-

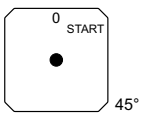
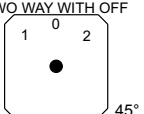
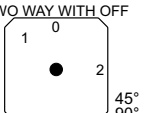
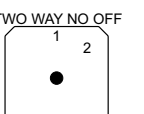
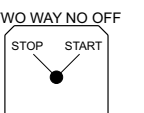
VOLT METER SELECTOR SWITCHES

SWITCHING POSITION	P O L E	MODEL	DESCRIPTION	6 A M.R.P. Rs.	10 A M.R.P. Rs.	16 A M.R.P. Rs.
	3	27312	To measure Voltage between Phases with OFF	261	369	495
	3	27313	To measure Voltage between Phases & neutral with OFF	477	756	945
	3	27314	To measure Voltage between Phases to Phase, neutral with OFF	-	747	-
	3	27311	To measure Voltage between Phases to neutral with OFF	477	513	-

AMMETER SELECTOR SWITCHES

SWITCHING POSITION	POLE	MODEL	DESCRIPTION	6 A M.R.P. Rs.	10A M.R.P. Rs.	16 A M.R.P. Rs.
	3	27325	To measure current in each Phase with OFF through CT	360	405	558
	3	90721	To read current in each phases & Leakage or balance current	-	-	-

CAM OPERATED SPRING RETURN ROTARY SWITCHES

SWITCHING POSITION	POLE	MODEL		6A M.R.P. Rs.	10A M.R.P. Rs.	16A M.R.P. Rs.	25A M.R.P. Rs.	32A M.R.P. Rs.
	1	27351	ON - OFF Spring Return to OFF			1017	1575	
	2	27352				1062	1782	
	3	27353				1206	2133	
	4	27354				1413	2331	
TWO WAY WITH OFF 	1	27361	Double throw Spring Return both sides Center OFF			1062	1782	
	2	27362				1557	2331	
	3	27363				1710	2907	
TWO WAY WITH OFF 	1	27364	Three positions with one position spring return to OFF			963	1782	
	2	27365				1422	2331	
	3	27369				1548	2907	
TWO WAY NO OFF 	1	27371	Two position spring return Switches			963	1782	
	2	27372				1422	2331	
	3	27373				1548	2907	
TWO WAY NO OFF 	1	27300	Push button application Spring return Switches			1206	1818	
	2	27388				1422	2331	

ACCESSORIES FOR ROTARY SWITCHES (SPARES)

MARKING PLATES 10 - 16 Amps 32 Amps 63 Amps	M.R.P. Each Rs. 72.00 81.00 81.00	HANDLES PISTOL GRIP 16 Amps 32 Amps 63 Amps	M.R.P. Each Rs. 108.00 126.00 153.00	LOCKS 16,32 Amps 63 Amps	M.R.P. Each Rs. 279.00 306.00
SPECIAL MARKING PLATES 16 Amps 32 Amps 63 Amps	M.R.P. Each Rs. 72.00 81.00 81.00	BALL HANDLE 16 Amps 32 Amps 63 Amps	M.R.P. Each Rs. 108.00 126.00 153.00		
KNOBBS 10 Amps 16 Amps 32 Amps 63 Amps	M.R.P. Each Rs. 72.00 81.00 81.00 108.00	MOUNTING PLATES FOR JO-9 & JB-9 47.5 x 47.5 x 1.6 60 x 60 x 1.6 70 x 70 x 1.6 84 x 84 x 1.6 96 x 96 x 1.6	M.R.P. Each Rs. 72.00 81.00 81.00 108.00 108.00	PANEL FIXING SCREWS 100 Nos Packet 10,16,32Amps 100 Nos Packet 63 Amps	M.R.P. Each Rs. 108.00 126.00

JAIBALAJI
CONTROL GEARS PVT. LTD

Post Box No. 27, 89 (New No. 107),SIDCO Industrial Estate,Ambattur, Chennai -600 098. India
Phone: +91 44 26251279 / 26257859 / 26254470 Fax: +91 44 26255038.
E-mail: dchandramohan@jaibalaji.firm.in Web: jaibalaji.in



LED ILLUMINATED PUSH BUTTONS, PILOT LIGHTS SELECTOR ACTUATORS Ø22.5



















CATALOGUE CUM PRICE LIST







WITH    MARKS

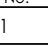
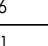
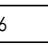
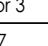
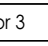
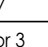
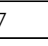
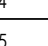

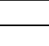
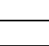
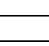
Type & Description		M.R.P. Rs. Metal	M.R.P. Rs. Plastic	Type & Description		M.R.P. Rs. Metal	M.R.P. Rs. Plastic
	9FA Flush Actuator (Yellow,Red,Blue Green,Black,White Specify colour)	144.00	99.00		9MLKA-2B/6B Stayput Mushroom Actuator with key(Press to lock and key to release,Key removable in actuated and unactuated positions) Red/Black	504.00	405.00
	9PA Projecting Actuator (Yellow,Red,Blue Green,Black,White Specify colour)	144.00	99.00		9KSA6-2PB Lockable key selector Actuator (2 Positions,maintained contact Key removable in both positions) - Black	504.00	405.00
	9BA Booted Actuator (Yellow,Red,Blue Green,Black Specify colour)	189.00	162.00		9KSA6-2PL Lockable key selector Actuator (2 Positions,maintained contact Key removable in left position) - Black	504.00	405.00
	9MA Mushroom Actuator (Spring Return) (Yellow,Red,Blue Green,Black Specify colour)	225.00	171.00		9KSA6-2PR Lockable key selector Actuator (2 Positions,maintained contact Key removable in right position) - Black	504.00	405.00
	9MJA Jumbo Mushroom Actuator (Spring Return) (Red / Black Specify colour)	243.00	207.00		9KSA6-2PLSR Lockable key selector Actuator (2 Positions,spring return Key removable in left position) - Black	513.00	450.00
	9MLA Stayput Mushroom Actuator (Press to lock and turn to release with arrow marking) (Red / Black Specify colour)	306.00	252.00		9KSA6-3PB Lockable key selector Actuator (3 Positions,maintained contact Key removable in both left & right positions) - Black	513.00	450.00
	9MLAPP Stayput Mushroom Actuator (Press to lock and pull to release) (Red / Black Specify colour)	306.00	252.00		9KSA6-3PA Lockable key selector Actuator (3 Positions,maintained contact Key removable in all the three positions) - Black	513.00	450.00
	9MJLA Jumbo Mushroom Actuator (Press to lock and turn to release with arrow marking) (Red / Black Specify colour)	351.00	315.00		9KSA6-3PL Lockable key selector Actuator (3 Positions,maintained contact Key removable in left position only) - Black	513.00	450.00

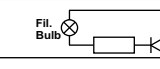
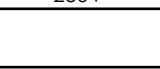
Colour code : Yellow-1,Red-2,Amber-3,Blue-4,Green-5,Black-6,White-7,Clear-8
 Contact Element Add on Screw type : JB1-1NO, JB2-1NC, JB3-2NO, JB4-2NC, JB5-2NO+2NC

Type & Description	M.R.P. Rs.		Type & Description	M.R.P. Rs.	
	Metal	Plastic		Metal	Plastic
9KSA6-3PR  Lockable key selector Actuator (3 Positions,maintained contact Key removable in right position only) - Black	513.00	450.00	9SA6-3PSRL  Selector Actuator, 3 Positions (Center off, maintained contact on right, spring return from left to center)-Black	423.00	369.00
9KSA6-3PSR  Lockable key selector Actuator (3 Positions spring return on left & right positions.Key removable in center position only) - Black	522.00	486.00	9SA6-3PSRR  Selector Actuator, 3 Positions (Center off, maintained contact on left, spring return from right to center)-Black	423.00	369.00
9KSA6-3PSRL  Lockable key selector Actuator (3 Positions spring return from left to center.Maintained contact on right Key removable in center position only) - Black	522.00	486.00	9SEA6-2P  Selector Extended Actuator 2 Positions (Maintained contact)-Black	396.00	342.00
9KSA6-3PSRR  Lockable key selector Actuator (3 Positions spring return from right to center.Maintained contact on left Key removable in center position only) - Black	522.00	486.00	9SEA6-2PSR  Selector Extended Actuator 2 Positions (spring return from right to left)-Black	405.00	396.00
9SA6-2P  Selector Actuator, 2 Positions (Maintained contact)-Black	351.00	306.00	9SEA6-3P  Selector Extended Actuator 3 Positions (Maintained contact)-Black	423.00	369.00
9SA6-2P-SR  Selector Actuator, 2 Positions Spring return from right to left - Black	369.00	315.00	9SEA6-3PSR  Selector Extended Actuator 3 Positions (center off,both side spring return)-Black	432.00	396.00
9SA6-3P  Selector Actuator, 3 Positions (Maintained contact)-Black	405.00	351.00	9SEA6-3PSRL  Selector Extended Actuator 3 Positions (center off, maintained contact on right spring return from left to center)-Black	432.00	396.00
9SA6-3P-SR  Selector Actuator, 3 Positions (Center off-both sides spring return)-Black	423.00	369.00	9SEA6-3PSRR  Selector Extended Actuator 3 Positions (center off, maintained contact on left spring return from right to center)-Black	432.00	396.00
9LFA  Luminous Flush Actuator without series resistance with Filament Bulb suitable for operating at 110V,48V, and 24V, Yellow,Red,Amber,Blue, Green,White and Clear(Voltage and colour to be specified)	306.00	279.00	9LFAR  Luminous Flush Actuator with series resistance and with Filament Bulb suitable for 220V,110V,48V, and 24V, Yellow,Red,Amber,Blue, Green,White and Clear(Voltage and colour to be specified)	315.00	306.00
Colour code : Yellow-1,Red-2,Amber-3,Blue-4,Green-5,Black-6,White-7,Clear-8 Contact Element Add on Screw type : JB1-1NO, JB2-1NC, JB3-2NO, JB4-2NC, JB5-2NO+2NC					

Type & Description	M.R.P. Rs.		Type & Description	M.R.P. Rs.	
	Metal	Plastic		Metal	Plastic
9LFA-L  Luminous Flush Actuator with Ultra bright LED, Yellow, Red, Amber, Green, Clear (AC or DC Voltage and colour to be specified)	396.00	342.00	9PL-L  Pilot light with Ultra bright LED, Blue and White (AC or DC Voltage and colour to be specified)	423.00	396.00
9LFA-L  Luminous Flush Actuator with Ultra bright LED, Blue and White (AC or DC Voltage and colour to be specified)	450.00	369.00	9LSA-2P  Luminous Selector Actuator, 2 Positions without series resistance with Filament Bulb suitable for operating at 110V, 48V, and 24V, Yellow, Red, Amber, Blue, Green, White and Clear (Voltage and colour to be specified)	513.00	486.00
9LPA  Luminous Projecting Actuator without series resistance with Filament Bulb suitable for operating at 110V, 48V, and 24V, Yellow, Red, Amber, Blue, Green, White and Clear (Voltage and colour to be specified)	306.00	279.00	9LSAR-2P  Luminous Selector Actuator, 2 Positions with series resistance with Filament Bulb suitable for operating at 220V, 110V, 48V, and 24V, Yellow, Red, Amber, Blue, Green, White and Clear (Voltage and colour to be specified)	522.00	504.00
9LPA-R  Luminous Projecting Actuator with series resistance and with Filament Bulb suitable for 220V, 110V, 48V, and 24V, Yellow, Red, Amber, Blue, Green, White and Clear (Voltage and colour to be specified)	315.00	306.00	9LSA-3P  Luminous Selector Actuator, 3 Positions without series resistance with Filament Bulb suitable for operating at 110V, 48V, and 24V, Yellow, Red, Amber, Blue, Green, White and Clear (Voltage and colour to be specified)	576.00	522.00
9LPA-L  Luminous Projecting Actuator with Ultra bright LED, Yellow, Red, Amber, Green, Clear (AC or DC Voltage and colour to be specified)	405.00	351.00	9LSAR-3P  Luminous Selector Actuator, 3 Positions with series resistance with Filament Bulb suitable for operating at 220V, 110V, 48V, and 24V, Yellow, Red, Amber, Blue, Green, White and Clear (Voltage and colour to be specified)	585.00	531.00
9LPA-L  Luminous Projecting Actuator with Ultra bright LED, Blue and White (AC or DC Voltage and colour to be specified)	486.00	396.00	9LSA-2PL  Luminous Selector Actuator 2 Positions with Ultra bright LED, Yellow, Red, Amber, Green, Clear (AC or DC Voltage and colour to be specified)	531.00	405.00
9PL  Pilot light without series resistance with Filament Bulb suitable for operating at 110V, 48V, and 24V, Yellow, Red, Amber, Blue, Green, White and Clear (Voltage and colour to be specified)	243.00	207.00	9LSA-2PL  Luminous Selector Actuator 2 Positions with Ultra bright LED, Blue and White (AC or DC Voltage and colour to be specified)	585.00	450.00
9PLR  Pilot light with series resistance and with Filament Bulb suitable for operating at 220V, 110V, 48V, and 24V, Yellow, Red, Amber, Blue, Green, White and Clear (Voltage and colour to be specified)	261.00	234.00	9LSA-2P-LSR  Luminous Selector Actuator 2 Positions spring return with Ultra bright LED, Yellow, Red, Amber, Green and Clear (AC or DC Voltage and colour to be specified)	576.00	423.00
9PL-L  Pilot light with Ultra bright LED, Yellow, Red, Amber, Green, Clear (AC or DC Voltage and colour to be specified)	369.00	342.00	9LSA-2P-LSR  Luminous Selector Actuator 2 Positions spring return with Ultra bright LED, Blue and White (AC or DC Voltage and colour to be specified)	585.00	450.00
Colour code : Yellow-1, Red-2, Amber-3, Blue-4, Green-5, Black-6, White-7, Clear-8 Contact Element Add on Screw type : JB1-1NO, JB2-1NC, JB3-2NO, JB4-2NC, JB5-2NO+2NC					

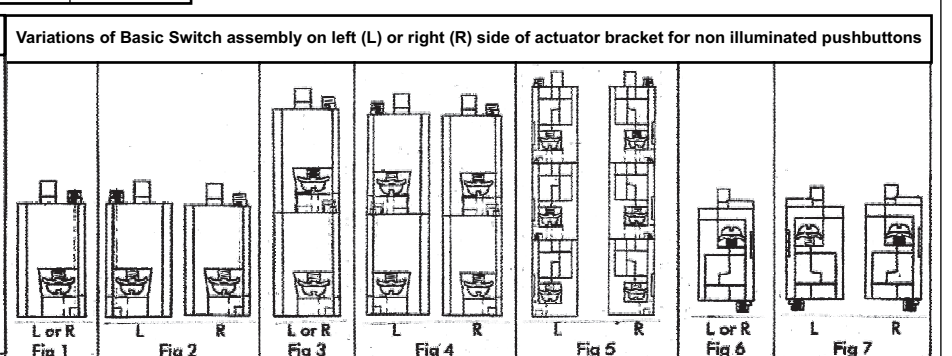
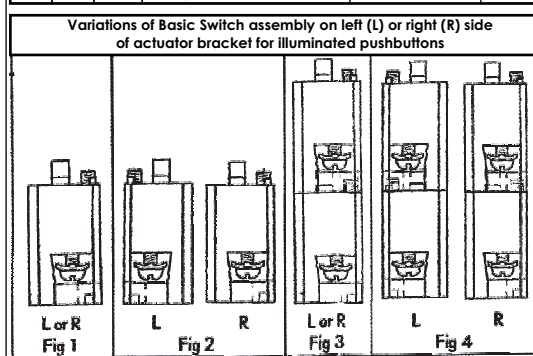
Type & Description		M.R.P. Rs. Metal	M.R.P. Rs. Plastic	Type & Description		M.R.P. Rs. Metal	M.R.P. Rs. Plastic
9LSA-3P-L 	Luminous Selector Actuator 3Positions with Ultra bright LED, Yellow,Red,Amber,Green,Clear (AC or DC Voltage and colour to be specified)	576.00	423.00	9LTA2-5 	Luminous Twin Actuator with flush Green button marked "I" flush Red button marked "O" with Amber lens without series resistance with Filament Bulb suitable for operating at 110V,48V and 24V (Voltage to be specified)	396.00	342.00
9LSA-3P-L 	Luminous Selector Actuator 3Positions with Ultra bright LED, Blue and White (AC or DC Voltage and colour to be specified)	603.00	486.00	9LTAR2-5 	Luminous Twin Actuator with flush Green button marked "I" flush Red button marked "O" with Amber lens. with series resistance with Filament Bulb suitable for operating at 220V 110V,48V and 24V (Voltage to be specified)	423.00	396.00
9TA2-5 	Twin Actuator with flush green button marked with "I" flush red button marked with "O"	261.00	234.00	9LTA-2-5-L 	Luminous Twin Actuator with flush green button marked with "I" flush red button marked with "O" with Amber lens, with Ultra Bright LED (AC or DC Voltage to be specified)	504.00	423.00

Sr.No.	Basic Switch	Type Nos. & Combination		Assembly Ref Fig. No.	Diagram
		Act. Mounting	Ind. Mounting		
1	1 NO	JB 1		1	
2	1 NO		JB 5	6	
3	1 NC	JB 2		1	
4	1 NC		JB 6	6	
5	1 NO + 1NC	JB 1 + JB 2		2 or 3	
6	1 NO + 1NC		JB 5 + JB 6	7	
7	2 NO	JB 1 + JB 1		2 or 3	
8	2 NO		JB 5 + JB 5	7	
9	2 NC	JB 2 + JB 2		2 or 3	
10	2 NC		JB 6 + JB 6	7	
11	2 NO + 2 NC	JB 1 + JB 1 JB 2 + JB 2		4	
12	3 NO + 3 NC	JB 1 + JB 1 + JB 1 JB 2 + JB 2 + JB 2		5	

Ordering examples of illuminated items			
RESISTANCE + DIODE (Res)		Voltage AC/DC	
	24V	Pilot light	YELLOW 9PLR1-24
	48V	Sel. Act. 2 Pos.	RED 9LSAR2-2P48
	110V	Lum.act.flush	GREEN 9LFAR5-110
DIRECT (No Res)		Item examples & type no	
	24V	Pilot light	GREEN 9PL5-24
	48V	Sel. Act. 2 Pos.	RED 9LSA2-2P48
LED	To order illuminated actuators or pilot lights with LED, Please add/suffix L to above type nos with resistance and supply voltage AC/DC. Eg. 9LFA5-L24DC OR 9PL2-L-230AC.		

Sr.No.	Function	Key Removable			Type Nos. Key / Selector
		Left	Center	Right	
1	Stayput	x		x	9KSA6-2PB
2	Stayput	x			9KSA6-2PL
3	Stayput			x	9KSA6-2PR
4	Spring return	x			9KSA6-2PLSR
5	Stayput	x		x	9KSA6-3PB
6	Stayput	x	x	x	9KSA6-3PA
7	Stayput		x		9KSA6-3P
8	Spring return		x		9KSA6-3PSR
9	Spring return		x		9KSA6-3PSRL
10	Spring return		x		9KSA6-3PSRR
					Selector Selector Extd
11	Stayput				9SA6-2P 9SEA6-2P
12	Spring return				9SA6-2PSR 9SEA6-2PSR
13	Stayput				9SA6-3P 9SEA6-3P
14	Spring return				9SA6-3PSR 9SEA6-3PSR
15	Spring return				9SA6-3PSRL 9SEA6-3PSRL
16	Spring return				9SA6-3PSRR 9SEA6-3PSRR

TECHNICAL SPECIFICATIONS:	
Approvals	: Bureau of Indian Standards, CSA International, Canada / US
Standards Conformity	: IS/IEC 60947 (part 5/ Sec.I)
Degree of Protection	: IP 65
Rated Insulation voltage	: 600v
Rated thermal current	: 10A
Contact operation	: Self wiping, slow break NO or NC
Make and break capacity	: AC 15, 5A, 240 VAC DC 13, 1.1A, 250 VDC
As per IEC 947-5-(1) 2000	
Terminal marking	: 1-2 for NC, 3-4 for NO
Terminal capacity	: Maximum 2 x 1.5mm ² or 1 x 2.5 mm ² Minimum 1 x 0.5mm ²
Short Circuit Protection	: 10 A cartridge fuse HRC type, rated for resistive loading
Operating Temperature	: -25°C + 70°C
Altitude	: <3000 m
Mechanical Life	: Over 1 million operations.



The above are some mounting arrangements for a maximum number of four basic switch for illuminated pushbuttons. The above are some mounting arrangements for a maximum of six basic switches for non - illuminated pushbuttons.

TYPES OF LED ILLUMINATED PILOT LIGHTS • PUSH BUTTONS • SELECTOR SWITCHES Ø22.5mm

DESCRIPTION		TYPE OF ACTUATOR OR LENSE ASSEMBLY	COLOUR OF ACTUATOR OR LENSE	BASIC SWITCHES NO=JB1, NC=JB2 OR LAMP HOLER	TYPE OF COMPLETE PUSH BUTTON
FLUSH PUSHBUTTON		9FA5 9FA2	GREEN RED	1NO 2NO+1NC	9PBF5-10 9PBF2-21
PROJECTING PUSHBUTTON		9PA6 9PA2	BLACK RED	2NC 3NO+3NC	9PBP6-02 9PBP2-33
BOOTED PUSHBUTTON		9BA2 9BA5	RED GREEN	2NO 2NC	9PBB2-20 9PBB5-02
MUSHROOM PUSHBUTTON SPRING RETURN		9MA6 9MA2	BLACK RED	1NO+1NC 1NC	9PBM6-11 9PBM2-01
MUSHROOM PUSHBUTTON LATCHING, TURN TO RELEASE		9MLA6 9MLA2	BLACK RED	1NC 2NO+2NC	9PBML6-01 9PBML2-22
MUSHROOM PUSHBUTTON LATCHING, KEY TO RELEASE		9MLKA2	RED	1NO+1NC	9PBMLK2-11
SELECTOR ACTUATOR(2 POS) SELECTOR ACTUATOR(3 POS)		9SA6-2P 9SA6-3P	BLACK BLACK	1NO 1NO+1NC	9PBS6-10-2P 9PBS6-11-3P
KEY SELECTOR ACTUATOR (2POS), KEY WITHDRAWABLE IN BOTH POSITIONS KEY ACTUATOR (3POS) KEY WITHDRAWABLE IN LEFT AND RIGHT POSITION		9KSA6-2P 9KSA6-3P	BLACK BLACK	1NO 1NO+1NC	9PBKS6-10-2P 9PBKS6-11-3P
SELECTOR LUMINOUS PUSHBUTTON, 2 POSITION WITH RESISTANCE AND DIODE (230V) SELECTOR LUMINOUS PUSHBUTTON, 3 POSITION WITH RESISTANCE AND DIODE (24V)		9LSAR5-2P230 9LSAR2-3P24	GREEN RED	1NO+1NC+ 9LHR230 1NO+1NC+ 9LHR24	9PBLSR5-11-2P-230 9PBLSR2-11-3P-24
PILOT LIGHT FOR DIRECT CONNECTION		9PL5 9PL2	GREEN RED	9LHB130 9LHB130	9PBPL5-130 9PBPL2-130
PILOT LIGHT THROUGH RESISTOR AND DIODE FOR 230V. BULB:130V		9PLR 3 9PLR 4	AMBER BLUE	9LHR230 9LHR230	9PBPLR3-230 9PBPLR4-230
LUMINOUS PROJ. PUSHBUTTON DIRECT CONNECTION FOR 24V LUMINOUS PROJ. PUSHBUTTON PUSH-PUSH TYPE DIRECT CONNECTION(130V)		9LPA5 9LPPA2-130	GREEN PROJ-RED	1NO+1NC+ 9LHB24 1NO+1NC+ 9LHB130	9PBP5-11-24 9PBLPP2-11-130
LUMINOUS FLUSH PUSHBUTTON THROUGH RESISTOR AND DIODE FOR 230V BULB:130V		9LFR2-230	RED	1NO+1NC+	9PBLFR2-11-230
NON-ILLUMINATED TWIN PUSHBUTTON ACTUATOR MARKED "1- O"		9TA2-5	FLUSH GREEN	1NO + 1NC	9PBT2-5-11
TWIN PUSHBUTTON NOT MARKED FLUSH PROJECTING		9TA5-2	FLUSH GREEN	1NO 1NC	9PBT5-2-11
LUMINOUS TWIN PUSHBUTTON MARKED "1 O" FLUSH FLUSH		9LTA5F2 F2 IO 130	LENSE-AMBER FLUSH-GREEN FLUSH-RED	9LHB130 1NO+1NC	9PBLT2-5-11-130
LUMINOUS TWIN PUSHBUTTON NOT MARKED FLUSH PROJECTING WITH RESISTANCE AND DIODE (230V)		9LTAR3-F5 -P2-230	LENSE-AMBER FLUSH-GREEN PROJ-RED	9LHBR230 1NO 1NC	9PBLTR3-F5-10-FP2-01- 230

ACCESSORIES AND SPARES

Contact Element



Type	Contacts	Normal
JB 1	1 NO	99.00
JB 2	1 NC	99.00

9ALP
MRP Rs. 63.00



Adapter for assembly of 22.5mm dia control gear
in 30.5mm dia cutout **9AA** MRP Rs.63.00

LEGEND PLATES

Legend Plates 30 X 40 mm are supplied with the following standard texts:
START FORWARD UP OPEN AUTO SLOW RESET
STOP REVERSE DOWN CLOSE HAND FAST INCH
Legend plate Ø 60 mm yellow with black characters for EMERGENCY STOP

BULBS

Filament Bulbs type **JLBC27S**

Voltage :	6	12	24	30	48	60	130
Watts :	1	2	2	2	2	2	2.6

JLBC27S
MRP Rs. 63.00



LENSES

9PLL/9LAL MRP Rs. 63.00

Colour of Lense:	YELLOW	RED	AMBER	BLUE	GREEN	TRANSLUCENT	CLEAR
For Pilot Lights	9PLL1	9PLL2	9PLL3	9PLL4	9PLL5	9PLL7	9PLL8
For Luminous Actuators (Flush / projecting)	9LAL1	9LAL2	9LAL3	9LAL4	9LAL5	9LAL7	9LAL8
For Twin Luminous Actuators	9LTAL1	9LTAL2	9LTAL3	9LTAL4	9LTAL5	9LTAL7	9LTAL8



9TAL MRP Rs. 45.00

BULB EXTRACTOR

Type No : **9JLBC27SE**



BLANKING PLUG FOR Ø 22.5mm HOLE, BLACK

Type No : **9BP6**

9BP6
MRP Rs. 63.00



RUBBER BOOTS FOR BOOTED ACTUATORS

Colour of Boot :	YELLOW	RED	BLUE	GREEN	BLACK
Type No :	9RB1	9RB2	9RB4	9RB5	9RB6

9RB
MRP Rs. 63.00



PADLOCK

Padlock for mushroom actuator
Padlock for projecting actuator

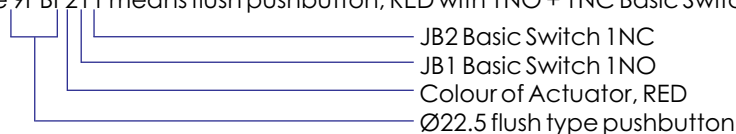


ORDERING INSTRUCTIONS

Actuators, Illuminated Actuators, Basic Switches, Lense Assemblies and Pilot Lights can all be ordered separately or in combination. Code No. of Illuminated Actuators and Non-illuminated Actuators colours are given in colour chart.

Type of Basic Switches: NO : Actuator mounting : JB1, Individual mounting : JB5.
NC : Actuator mounting : JB2, Individual mounting : JB6.

Example of Push Button : Type 9PBF211 means flush pushbutton, RED with 1NO + 1NC Basic Switches,



Manufactured by :

JAIBALAJI
CONTROL GEARS PVT. LTD

Plot No. 89 (New No. 107), P.B. No. 27, Sidco Industrial Estate, Ambattur, Chennai - 600 098. India.

Phone : 2625 1279 / 2625 7859 Fax : 044-2625 5038.

E-mail : dchandramohan@jaibalaji.firm.in Website : www.jaibalaji.firm.in

JAIBALAJI

Engineering Plastic

PUSH BUTTON STATION BOXES CATALOGUE CUM PRICE LIST

<p>Model : JEPBBS - PG</p> <p>Cable entry (2 Places)</p>	<p>M.R.P.</p> <p>Box Only Rs.450</p> <p>Box with 9MLA2 +JB1+JB2 Rs.981</p>	<p>Model : JEPBBS - ES</p> <p>Cable entry (4 Places)</p>	<p>M.R.P.</p> <p>Box Only Rs.504</p> <p>Box with 9MLA2 +JB1+JB2 Rs.981</p>
<p>Model : JEPBBS - 1W</p> <p>Cable entry (4 Places)</p>	<p>Box Only Rs.450</p> <p>Box with 9FA +JB1+JB2 Rs.729</p>	<p>Model : JEPBBS - 3W</p> <p>Cable entry (2 Places)</p>	<p>Box Only Rs.747</p> <p>Box with 9FA (3Nos) +3JB1 +3JB2 Rs.1548</p>
<p>Model : JEPBBS - 2W</p> <p>Cable entry (4 Places)</p>	<p>Box Only Rs.576</p> <p>Box with 9FA (2Nos) +2JB1 +2JB2 Rs.1143</p> <p>Box with Actuator &Element</p>	<p>Model : JEPBBS - 4W</p> <p>Cable entry (4 Places)</p>	<p>Box Only Rs.792</p> <p>Box with 9MLKA2 +9FA (3) +4JB1 +4JB2 Rs.2295</p> <p>Box with Actuator &Element</p>
<p>Model : JEPBBS - 5W (Five way)</p> <p>Rs.981</p>	<p>Rs.2430</p>	<p>Model : JEPBBS - 8W (Eight way)</p> <p>Rs.1206</p>	<p>Rs.3645</p>
<p>Model : JEPBBS - 6W (Six way)</p> <p>Rs.1143</p>	<p>Rs.2907</p>		

JAIBALAJI
CONTROL GEARS PVT. LTD

Post Box No. 27, 89 (New No. 107),SIDCO Industrial Estate,Ambattur, Chennai -600 098. India

Phone: +91 44 26251279 / 26257859 / 26254470 Fax: +91 44 26255038.

E-mail: dchandramohan@jaibalaji.firm.in Web: jaibalaji.in

PLASTIC PENDENT PUSH BUTTON STATION BOXES CATALOGUE CUM PRICE LIST

Price without
Actuator & Contact
element



Model		M.R.P. Rs.
JPPPBS 2W	Two Way	2259
JPPPBS 3W	Three Way	3564
JPPPBS 4W	Four Way	3726
JPPPBS 5W	Five Way	4770
JPPPBS 6W	Six Way	5265
JPPPBS 8W	Eight Way	5877
JPPPBS 9W	Nine Way	6210
JPPPBS 10W	Ten Way	7758
JPPPBS 11W	Eleven Way	8361
JPPPBS 12W	Twelve Way	8793
JPPPBS 13W	Thirteen Way	9324
JPPPBS 14W	Fourteen Way	9837



ALUMINIUM PUSH BUTTON STATION BOXES ALUMINIUM PENDENT PUSH BUTTON STATION BOXES CATALOGUE CUM PRICE LIST

ALUMINIUM PUSH BUTTON STATION BOXES



PRICE WITH PLASTIC ACTUATOR & CONTACT ELEMENTS(NO & NC)

Model		M.R.P. Rs.
JAPBS 1W	One Way	1296
JAPBS 1W D	Double Element	1899
JAPBSK 1W	One way Kanopi	1287
JAPBS 2W	Two Way	1827
JAPBS 2W D	Double Element	2403
JAPBSK 2W	Two way Kanopi	2277
JAPBS 3W	Three Way	2160
JAPBS 3W D	Double Element	3096
JAPBSK 3W	Three way Kanopi	2358
JAPBS 4W	Four Way	2646
JAPBS 6W	Six Way	3699
JAPBS 8W	Eight Way	4860
JAPBS 10W	Ten Way	5787
JAPBS 12W	Twelve Way	6876
JAPBS 14W	Fourteen Way	8037

ALUMINIUM PENDENT PUSH BUTTON STATION BOXES



PRICE WITH PLASTIC ACTUATOR & CONTACT ELEMENTS(NO & NC)

Model		M.R.P. Rs.
JAPPBS 1W	One Way	1404
JAPPBS 2W	Two Way	1917
JAPPBS 3W	Three Way	2223
JAPPBS 4W	Four Way	2718
JAPPBS 5W	Five Way	3159
JAPPBS 6W	Six Way	3780
JAPPBS 7W	Seven Way	4356
JAPPBS 8W	Eight Way	4950
JAPPBS 9W	Nine Way	5292
JAPPBS 10W	Ten Way	6039
JAPPBS 12W	Twelve Way	7335
JAPPBS 14W	Fourteen Way	8325
JAPPBS 16W	Sixteen Way	9963
JAPPBS 18W	Eighteen Way	10845
JAPPBS 20W	Twenty Way	12546
JAPPBS 22W	Twenty Two Way	13410



Post Box No. 27, 89 (New No. 107),SIDCO Industrial Estate,Ambattur, Chennai -600 098. India
Phone: +91 44 26251279 / 26257859 / 26254470 Fax: +91 44 26255038.
E-mail: dchandramohan@jaibalaji.firm.in Web: jaibalaji.in

ALUMINIUM PUSH BUTTON STATION BOXES ALUMINIUM PENDENT PUSH BUTTON STATION BOXES CATALOGUE CUM PRICE LIST

Price without
Actuator & Contact
element

ALUMINIUM PUSH BUTTON STATION BOXES



Model		M.R.P. Rs.
JAPBS 1W	One Way	594
JAPBS 1W D	Double Element	891
JAPBSK 1W	One way Kanopi	729
JAPBS 2W	Two Way	891
JAPBS 2W D	Double Element	1008
JAPBSK 2W	Two way Kanopi	918
JAPBS 3W	Three Way	918
JAPBS 3W D	Double Element	1071
JAPBSK 3W	Three way Kanopi	1116
JAPBS 4W	Four Way	1071
JAPBS 6W	Six Way	1251
JAPBS 8W	Eight Way	1476
JAPBS 10W	Ten Way	1728
JAPBS 12W	Twelve Way	2358
JAPBS 14W	Fourteen Way	2556

ALUMINIUM PENDENT PUSH BUTTON STATION BOXES



Model		M.R.P. Rs.
JAPPBS 1W	One Way	666
JAPPBS 2W	Two Way	954
JAPPBS 3W	Three Way	999
JAPPBS 4W	Four Way	1143
JAPPBS 5W	Five Way	1161
JAPPBS 6W	Six Way	1341
JAPPBS 7W	Seven Way	1530
JAPPBS 8W	Eight Way	1728
JAPPBS 9W	Nine Way	1899
JAPPBS 10W	Ten Way	2214
JAPPBS 12W	Twelve Way	2682
JAPPBS 14W	Fourteen Way	2988
JAPPBS 16W	Sixteen Way	3807
JAPPBS 18W	Eighteen Way	3951
JAPPBS 20W	Twenty Way	4338
JAPPBS 22W	Twenty two Way	4995

RECOGNITION OF *Quality Plus*

Engineering Plastic **JUNCTION BOXES** and **DISTRIBUTION BOXES** (Made of Polycarbonate)

CATALOGUE CUM PRICE LIST



JEPJB 200



JEPJB 200



JEPJB 200



JEPJB 200



AC Box



JEPJB 200



JEPJB 200



JEPJB 200



JEPJB 200

JEPJB 200



JEPJB 200



JEPJB 200



JEPJB 200



JEPJB 200



JEPJB 140



JEPJB 140



JEPJB 140



JEPJB 140



JEPJB 140



JEPJB 96



JEPJB 96



JEPJB 86



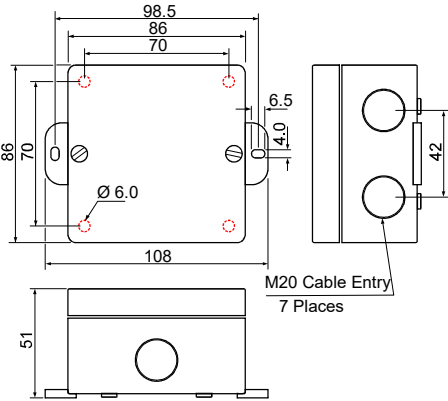


ENGINEERING PLASTIC JUNCTION BOXES

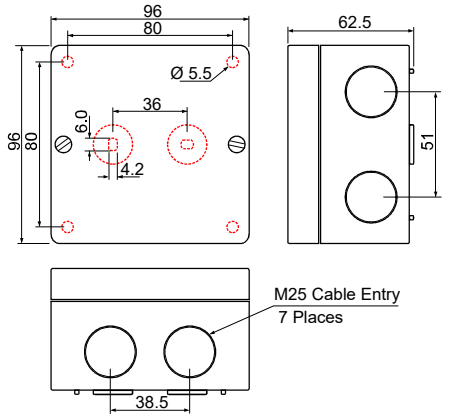
(Made of Polycarbonate)

CATALOGUE CUM PRICE LIST

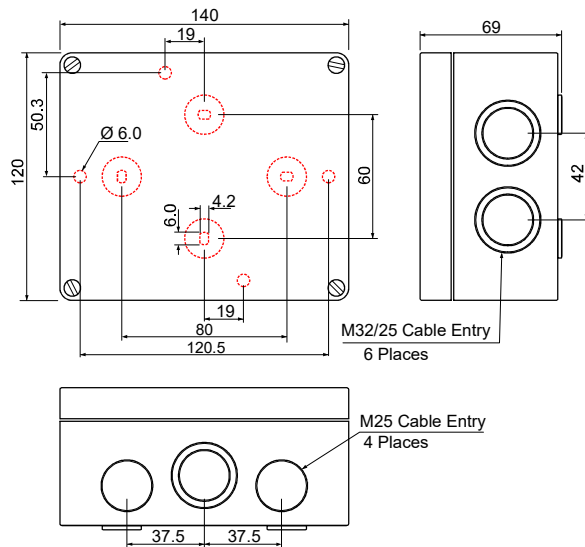
JEPJB 86
M.R.P. Rs.531



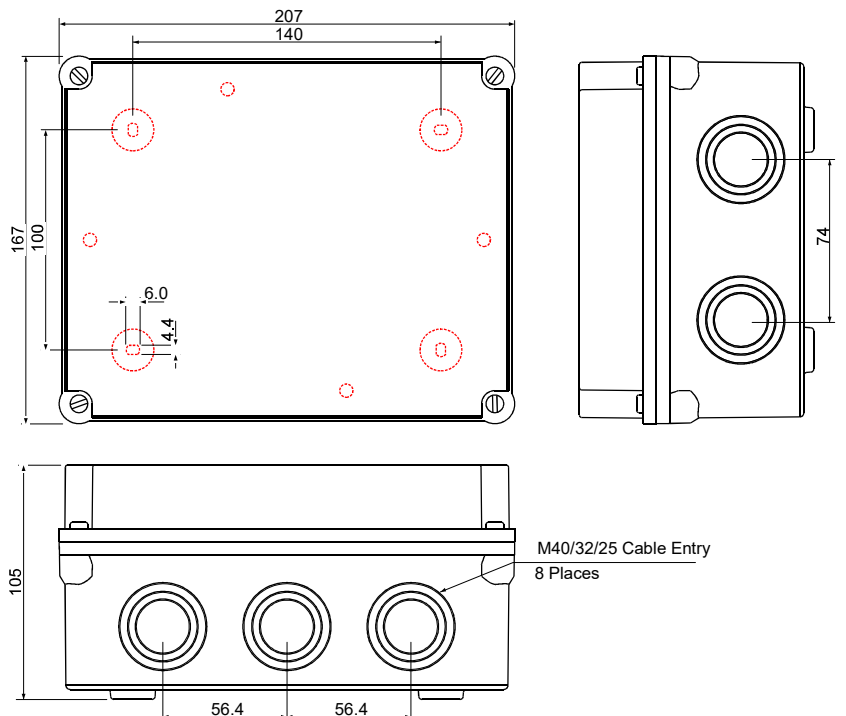
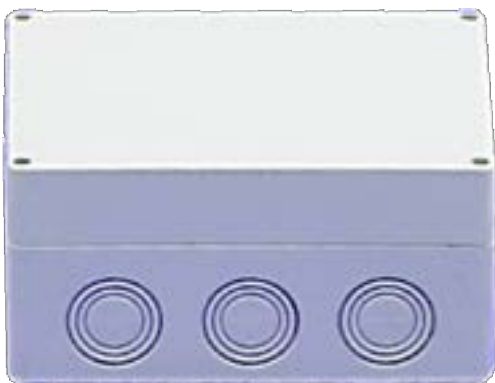
JEPJB 96
M.R.P. Rs.765



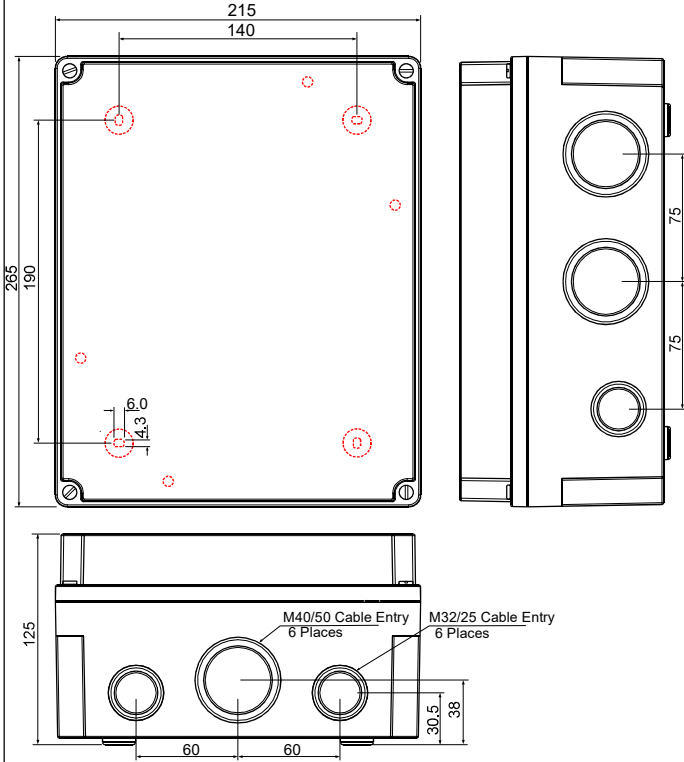
JEPJB 140
M.R.P. Rs.1008



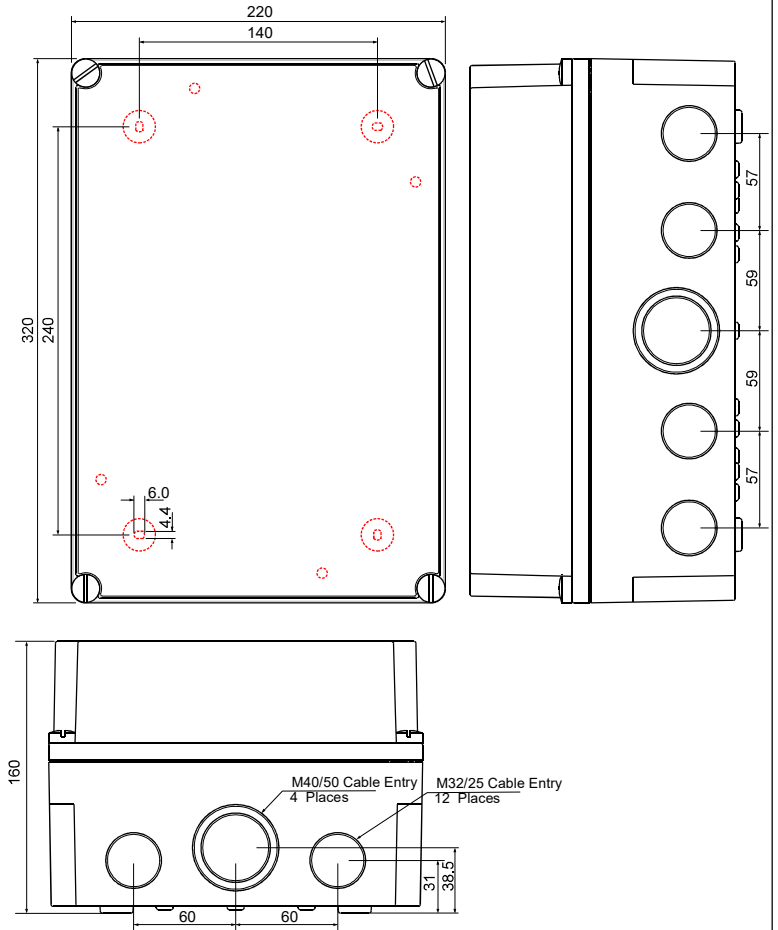
JEPJB 200
M.R.P. Rs.1764



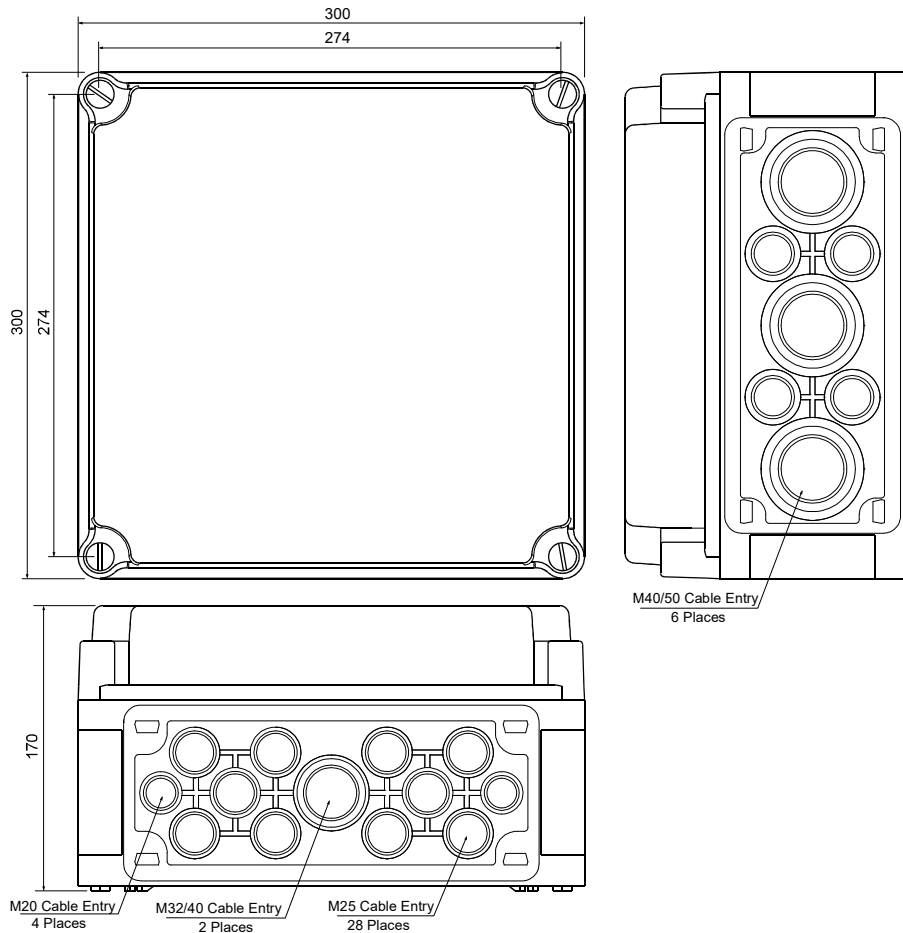
JEPJB 265
M.R.P. Rs.3384



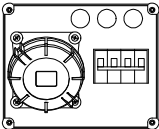
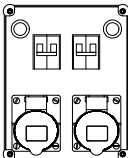
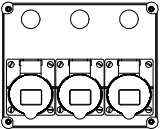
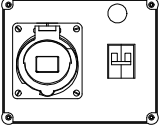
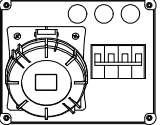
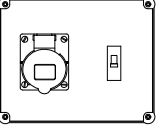
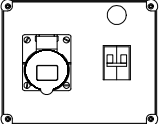
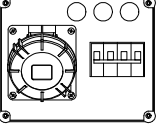
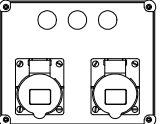
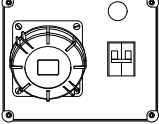
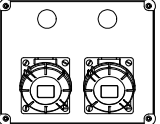
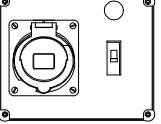
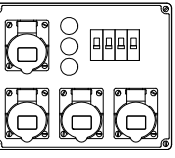
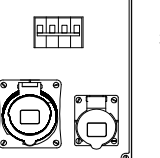
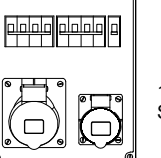
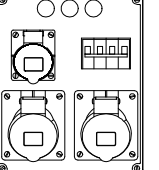
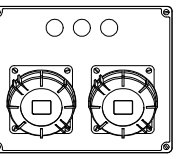
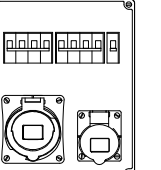
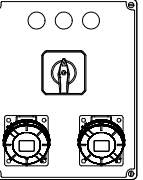
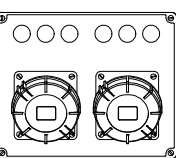
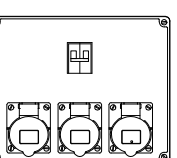
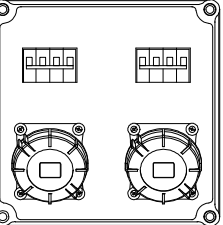
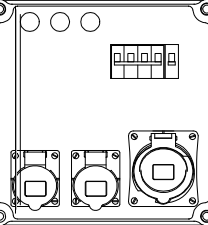
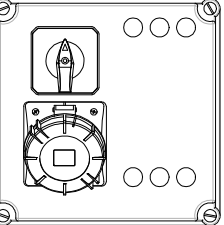
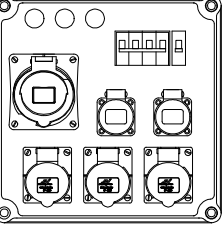
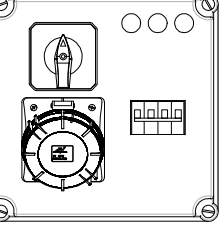
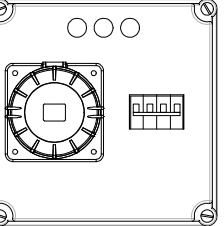
JEPJB 320
M.R.P. Rs.5814



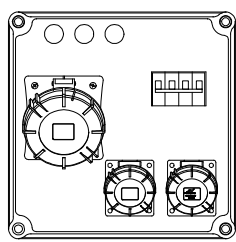
JEPJB 300
M.R.P. Rs.5517



Some Combinations of Distribution Boxes

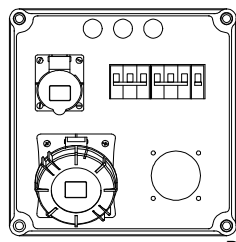
<p>DB216-35 MI Drawing No. AS052 JEPJB200 - BOX 32 Amps 3Pin+Earth+Neutral Angled Socket IP-67 & Indicator Provision for 4 Pole MCB M.R.P. RS. 6237</p> 	<p>DB216-133 MI Drawing No. AS047 JEPJB200 - BOX 16 Amps 2Pin+Earth Angled Socket IP-44 & Indicator Provision for 2x2 Pole MCB M.R.P. RS. 5949</p> 	<p>DB216-1333 I Drawing No. AS054 JEPJB200 - BOX 16 Amps 2Pin+Earth Angled Socket IP-44 (3 Nos) & Indicator M.R.P. RS. 8415</p> 
<p>DB216-33 MI Drawing No. AS059 JEPJB200 - BOX 32 Amps 2Pin+Earth Angled Socket IP-44 & Indicator Provision for 2 Pole MCB M.R.P. RS. 5580</p> 	<p>DB216-65 MI Drawing No. AS065 JEPJB200 - BOX 63 Amps 3Pin+Earth+Neutral Angled Socket IP-67 & Indicator Provision for 4 Pole MCB M.R.P. RS. 9504</p> 	<p>DB216-13 M Drawing No. AS133 JEPJB200 - BOX 16 Amps 2Pin+Earth Angled Socket IP-44 & Indicator Provision for 1 Pole MCB M.R.P. RS. 4122</p> 
<p>DB216-13 MI Drawing No. AS060 JEPJB200 - BOX 16 Amps 2Pin+Earth Angled Socket IP-44 & Indicator Provision for 2 Pole MCB M.R.P. RS. 5112</p> 	<p>DB216-15 MI Drawing No. AS098 JEPJB200 - BOX 16 Amps 3Pin+Earth+Neutral Angled Socket IP-67 & Indicator Provision for 4 Pole MCB M.R.P. RS. 6003</p> 	<p>DB216-133 I Drawing No. AS142 JEPJB200 - BOX 16 Amps 2Pin+Earth Angled Socket IP-44 (2Nos) & Indicator M.R.P. RS. 6750</p> 
<p>DB216-33 MI Drawing No. AS061 JEPJB200 - BOX 32 Amps 2Pin+Earth Angled Socket IP-67 & Indicator Provision for 2 Pole MCB M.R.P. RS. 5724</p> 	<p>DB216-133 I Drawing No. AS112 JEPJB200 - BOX 16 Amps 2Pin+Earth Angled Socket IP-67 (2 Nos) & Indicator M.R.P. RS. 7776</p> 	<p>DB216-33 MI Drawing No. AS149 JEPJB200 - BOX 32 Amps 2Pin+Earth Angled Socket IP-44 & Indicator Provision for 1 Pole MCB M.R.P. RS. 5580</p> 
<p>Drawing No. AS051 JEPJB265 - BOX 16 Amps 2Pin+Earth Angled Socket IP-44(4 Nos) & Indicator Provision for 4x1 Pole MCB M.R.P. RS. 10944</p> 	<p>Drawing No. AS113 JEPJB265 - BOX 32 Amps 3Pin+Earth+Neutral Angled Socket IP-44 16 Amps 2Pin+Earth Angled Socket IP-44 Provision for 4 Pole MCB M.R.P. RS. 7929</p> 	<p>Drawing No. AS131 JEPJB265 - BOX 16 Amps 3Pin+Earth+Neutral Angled Socket IP-44 16 Amps 2Pin+Earth Angled Socket IP-44 Provision for 4+4+1 Pole MCB M.R.P. RS. 7893</p> 
<p>Drawing No. AS067 JEPJB265 - BOX 16 Amps 3Pin+Earth+Neutral Angled Socket IP-44(2 Nos) 16 Amps 2Pin+Earth Angled Socket IP-44 & Indicator Provision for 4 Pole MCB M.R.P. RS. 10809</p> 	<p>Drawing No. AS115 JEPJB265 - BOX 32 Amps 3Pin+Earth Angled Socket IP-67(2Nos) Indicator M.R.P. RS. 10818</p> 	<p>Drawing No. AS132 JEPJB265 - BOX 32 Amps 3Pin+Earth+Neutral Angled Socket IP-44 Provision for 4+4+1 Pole MCB M.R.P. RS. 7911</p> 
<p>Drawing No. AS106 JEPJB265 - BOX 16 Amps 2Pin+Earth Angled Socket IP-67(2 Nos) & Indicator Rotary switch 32A P No.27197 M.R.P. RS. 11637</p> 	<p>Drawing No. AS116 JEPJB265 - BOX 32 Amps 3Pin+Earth Angled Socket IP-44(2Nos) Indicator M.R.P. RS. 13113</p> 	<p>Drawing No. AS135 JEPJB265 - BOX 16 Amps 2Pin+Earth Angled Socket IP-44(3 Nos.) Provision for 2 Pole MCB M.R.P. RS. 8739</p> 
<p>Drawing No. AS019 JEPJB300 - BOX 32 Amps 3Pin+Earth +Neutral Angled Socket IP-67 (2 Nos) Provision for 4+4 Pole MCB M.R.P. RS. 11025</p> 	<p>Drawing No. AS049 JEPJB300 - BOX 32 Amps 3Pin+Earth +Neutral Angled Socket IP-44 16 Amps 2Pin+Earth Angled Socket IP-44 (2 Nos.) & Indicator Provision for 4+1 Pole MCB M.R.P. RS. 13608</p> 	<p>Drawing No. AS063 INTERLOCK BOX JEPJB300 - BOX 63 Amps 3Pin+Earth +Neutral Angled Socket IP-67 63 Amps Rotary Switch Program No.27004 LED Indicator 6</p> 
<p>Drawing No. AS048 32 Amps 3Pin+Earth +Neutral Angled Socket IP-44 16 Amps 2Pin+Earth Angled Socket IP-44 (3 Nos.) 16 Amps 2Pin Straight Socket IP-44 (2 Nos.) & Indicator Provision for 4+1 Pole MCB M.R.P. RS. 17460</p> 	<p>Drawing No. AS057 INTERLOCK BOX JEPJB300 - BOX 63 Amps 3Pin+Earth +Neutral Angled Socket IP-67 63 Amps Rotary Switch Program No.27004 LED Indicator 3 Provision for 4 Pole MCB</p> 	<p>Drawing No. AS090 JEPJB300 - BOX 125 Amps 3Pin+Earth +Neutral Straight Socket IP-67 & Indicator Provision for 4 Pole MCB M.R.P. RS. 17802</p> 

Some Combinations of Junction Box With Sockets



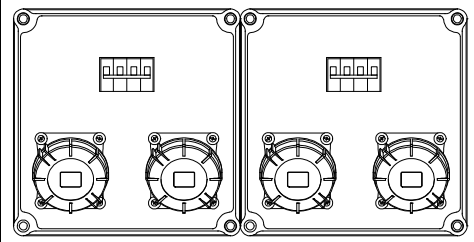
Drawing No. AS104
JEPJB300 - BOX
63 Amps 3Pin+Earth+Neutral
Angular Socket IP-67
16 Amps 2Pin+Earth
Angled Socket IP-67
& Indicator
Provision for 4 Pole MCB

M.R.P. RS. 17388



Drawing No. AS137
JEPJB300 - BOX
63 Amps 3Pin+Earth+Neutral
Angular Socket IP-67
16 Amps 2Pin+Earth
Angled Socket IP-67
& Indicator
Provision for
32 Amps 3Pin+Earth+Neutral
Straight Socket IP-44

M.R.P. RS. 16515 Provision for 3+3+1 Pole MCB

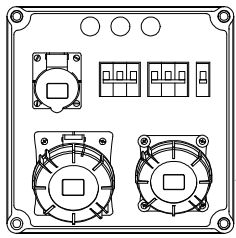


Drawing No. AS094

JEPJB300 - BOX - 2 Nos.
32 Amps 3Pin+Earth+Neutral
Angled Socket IP-67 (4 Nos)

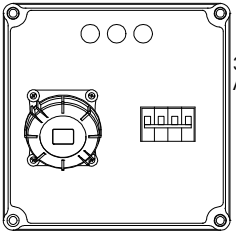
Provision for 4 Pole MCB

M.R.P. RS. 22059



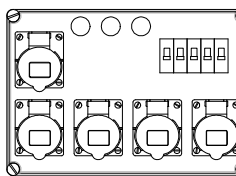
Drawing No. AS121
JEPJB300 - BOX
63 Amps 3Pin+Earth+Neutral
Angular Socket IP-67
32 Amps 3Pin+Earth+Neutral
Angular Socket IP-67
16 Amps 2Pin+Earth
Angled Socket IP-44
& Indicator
Provision for 3+3+1 Pole MCB

M.R.P. RS. 18738



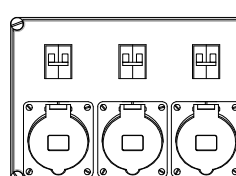
Drawing No. AS157
JEPJB300 - BOX
32 Amps 3Pin+Earth+Neutral
Angular Socket IP-67
& Indicator
Provision for 4 Pole MCB

M.R.P. RS. 10152



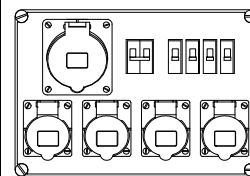
Drawing No. AS050
JEPJB320 - BOX
16 Amps 2Pin+Earth
Angled Socket IP-44
(5 Nos.) & Indicator

M.R.P. RS. 16371 Provision for 5 single Pole MCB



Drawing No. AS097
JEPJB320 - BOX
32 Amps 2Pin+Earth
Angled Socket IP-44
(3 Nos.)
Provision for 3 Two Pole MCB

M.R.P. RS. 12681



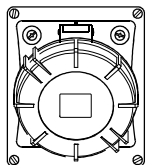
Drawing No. AS082
JEPJB320 - BOX
32 Amps 2Pin+Earth
Angled Socket IP-44
16 Amps 2Pin+Earth
Angled Socket IP-44
(4 Nos.)
M.R.P. RS. 14688

Provision for 2+1+1+1+1 Pole MCB

JEPJB140 - BOX

J635BMAS IP- 44

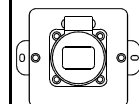
63 Amps 3Pin+Earth+Neutral
Angled Socket (IP-44)
M.R.P. Rs.7542



J635BMAS IP- 67

63 Amps 3Pin+Earth+Neutral
Angled Socket (IP-67)
M.R.P. Rs.7956

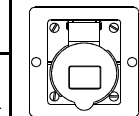
JEPJB86 - BOX



J162BMSS IP- 44

16 Amps 2Pin Straight Socket
M.R.P. Rs.1224

JEPJB96 - BOX



J203BMSS IP- 44

16 Amps 2Pin+Earth Straight Socket
M.R.P. Rs.1854

J203BMAS IP- 44

16 Amps 2Pin+Earth Angled Socket
M.R.P. Rs.1755

J203BMAS IP- 67

16 Amps 2Pin+Earth Angled Socket
M.R.P. Rs.1962

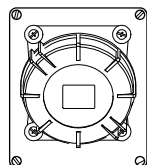
J323BMAS IP- 44

32 Amps 2Pin+Earth Angled Socket
M.R.P. Rs.2835

JEPJB140 - BOX

J323BMAS IP- 67

32 Amps 2Pin+Earth Angled Socket
M.R.P. Rs.3024



J324BMAS IP- 44

32 Amps 3Pin+Earth Angled Socket
M.R.P. Rs.2988

J324BMAS IP- 67

32 Amps 3Pin+Earth Angled Socket
M.R.P. Rs.3177

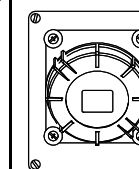
J325BMAS IP- 44

32 Amps 3Pin+Earth+Neutral
Angled Socket **M.R.P. Rs.3096**

J325BMAS IP- 67

32 Amps 3Pin+Earth+Neutral
Angled Socket **M.R.P. Rs.3231**

JEPJB140 - BOX



J205BMSS IP- 44

16 Amps 3Pin+Earth+Neutral
Straight Socket **M.R.P. Rs.2709**

J205BMSS IP- 67

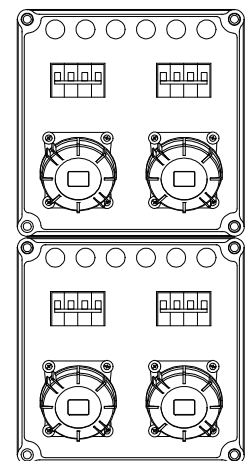
16 Amps 3Pin+Earth+Neutral
Straight Socket **M.R.P. Rs.2889**

J205BMAS IP- 44

16 Amps 3Pin+Earth+Neutral
Angled Socket **M.R.P. Rs.2682**

J205BMAS IP- 67

16 Amps 3Pin+Earth+Neutral
Angled Socket **M.R.P. Rs.2907**



Drawing No. AS044

JEPJB300 - BOX - 2Nos
32 Amps 3Pin+Earth+Neutral
Angular Socket IP-67(4 Nos)
& Indicator




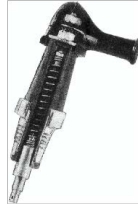
Provision for 4x4 Pole MCB

M.R.P. RS. 29097

Boxes will be Supplied without MCB and Any Other Combinations of Junction Box & Sockets available on request

JAIBALAJI
CONTROL GEARS PVT. LTD

Post Box No. 27, 89 (New No. 107),SIDCO Industrial Estate,
Ambattur, Chennai -600 098. India
Phone: +91 44 26251279 / 26257859 / 26254470 Fax: +91 44 26255038.
E-mail: dchandramohan@jaibalaji.firm.in Web: jaibalaji.in

Sl.No.	CODE NO. FOR BRUSHES	M.R.P. EACH Rs.	Sl.No	SPARES FOR BRUSH PLUG INSERTS	M.R.P. EACH Rs.
1.	SK4	792	21.	SK-4E	540
2.	TSK 6/16	810	22.	TSK 6/16E	549
3.	TSN 6/16	909	23.	TSN 6/16E	648
4.	TSL 6/16 × 30	945	24.	TSL 6/16 ×30E	720
5.	TSL 6/16 × 40	1035	25.	TSL 6/16 ×40E	810
6.	TSL 6/16 × 50	1089	26.	TSL 6/16 ×50E	873
7.	TSL 6/16 × 60	1152	27.	TSL 6/16 ×60E	945
8.	TSL 6/16 × 70	1206	28.	TSL 6/16 ×70E	1008
9.	TSL 6/16 × 80	1287	29.	TSL 6/16 ×80E	1098
10.	TSL 6/16 × 90	1332	30.	TSL 6/16 ×90E	1152
11.	TSL 6/16 × 100	1359	31.	TSL 6/16 ×100E	1224
12.	TSN 8	945	32.	TSN 8E	693
13.	TSL 8 × 30	1134	33.	TSL 8 × 30E	792
14.	TSL 8 × 40	1161	34.	TSL 8 × 40E	873
15.	TSL 8 × 50	1224	35.	TSL 8 × 50E	909
16.	TSL 8 × 60	1287	36.	TSL 8 × 60E	981
17.	TSL 8 × 70	1332	37.	TSL 8 × 70E	1062
18.	TSL 8 × 80	1359	38.	TSL 8 × 80E	1152
19.	TSL 8 × 90	1377	39.	TSL 8 × 90E	1224
20.	TSL 8 × 100	1413	40.	TSL 8 × 100E	1287
   			41.	TSK Holder	441
			42.	SK 4 Holder	387
			43.	TSN 6/16 Holder	441
			44.	TSN 8 Holder	450

CONTACT DETAILS

LAND LINE PHONE NOS.:	044-26251279 044-26257859 044-26254469 044-26254470 044-26257174 044-26255038	E.Mail Id : dchandramohan@jaibalaji.firm.in sales@jaibalaji.in cj@jaibalaji.in av@jaibalaji.in vs@jaibalaji.in
FAX NO.:		
SUPPORT (TECHNICAL & COMMERCIAL) Mr. P. RAMASAMY	MOBILE : 9382862649	WEBSITE : www.jaibalaji.firm.in
SALES Mr. S. ARUNKUMAR Mr. A. VENKATESH	EXTN : 112 EXTN : 123	MOBILE : 9382785527
DESPATCH Mr. K. SREERAM Mr. N. KRISHNAMOORTHY Mr. M. JAGADEESAN	EXTN : 102 EXTN : 118 EXTN : 122	MOBILE : 9382315859 MOBILE : 9382785557 MOBILE : 9382785527

TERMS AND CONDITIONS

Payment - Against Proforma Invoice / COD /VPP/ 100% Documents through Bank

Delivery - Against specific requirement / Depends on Quantity

*** MRP INCLUSIVE OF GST TAX

